



**SPRF2D**

---

**BUILT-IN REFRIGERATOR & FREEZER  
DRAWERS**

**ATTENTION**

For your protection in the event of theft or loss of appliance, fill in spaces provided below.

Model and Serial Numbers are indicated on rear wall of appliance.

MODEL No. \_\_\_\_\_

SERIAL No. \_\_\_\_\_

## UNPACKING THE UNIT

- Remove tape, and clean off any residual glue from the appliance surfaces before turning the unit on. Apply some liquid dish detergent over the residue with your fingers, wipe down using warm water and dry.
- In order to prevent damage to the surface of your appliance, do not use rubbing alcohol, flammable fluids, abrasive cleaners or sharp tools when removing the packing tape and glue.
- Do not remove the protective film on the drawers until the unit is fully installed. Discard or recycle all packaging material.

Clean the inside of your appliance prior to operation. Refer to the REFRIGERATOR/FREEZER DRAWERS CARE section on page 6.

## APPLIANCE SAFETY

**The safety of you and others around you is very important.**

Safety messages should be read completely and followed at all times.

This is the safety alert symbol:



It indicates potential hazards that can kill or hurt you and others.

Messages about safety will tell you what the potential hazard is, how to reduce the chance of injury, and what can happen if the instructions are not followed.

## IMPORTANT SAFETY INSTRUCTIONS

### WARNING:



*To reduce the risk of fire, electric shock, or injury when using your appliance, follow these basic precautions:*

- Plug into a grounded 3 prong outlet.
- Do not remove the ground prong.
- Do not use an adapter.
- Do not use an extension cord.
- Disconnect power before servicing.
- Use nonflammable product when cleaning the appliance.

- Keep flammable materials, such as gasoline, away from the appliance.
- Use two or more people to move and/or install the refrigerator/freezer drawers.

## Proper disposal of old appliances:

**DANGER!** Old appliances can represent a suffocation hazard to children.

- Remove doors or drawer(s) from your old appliance.
- If old appliance contains refrigerants, it must be recycled by a licensed service or disposal company.

**– SAVE THESE INSTRUCTIONS –**

## ELECTRICAL REQUIREMENTS

Before moving your appliance into its desired location, it is important to check that the proper electrical connection will be used.

### Recommended grounding method

A 115 Volt, 60 Hz., AC only, 15- or 20-amp fused, grounded electrical supply is required..

It is recommended that a separate circuit serving only your appliance be provided. Use an outlet that cannot be turned off by a switch. Do not use an extension cord.

**NOTE:** *Be sure to unplug the appliance prior to installation, cleaning, or general maintenance such as changing the light bulb.*

### WARNING:

*In the event of abnormal behavior or failure of the unit, immediately suspend usage and unplug the power cable.*

(Risk of electrical shock, smoke or fire.)

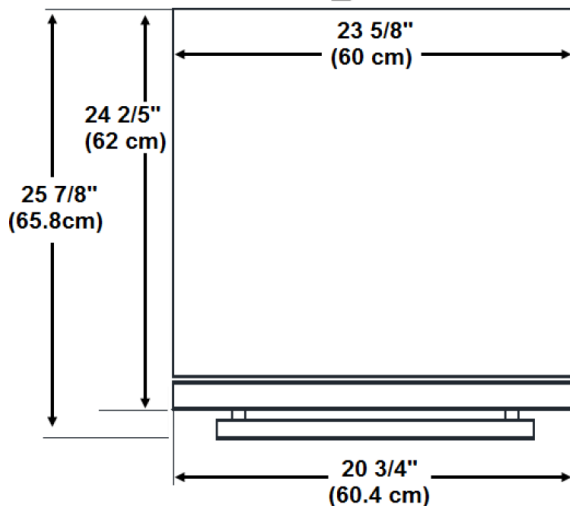
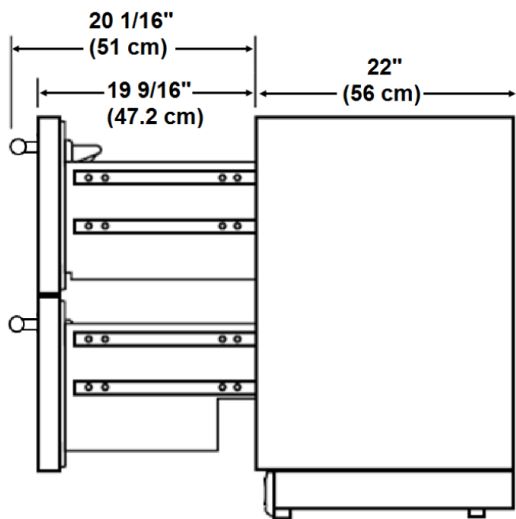
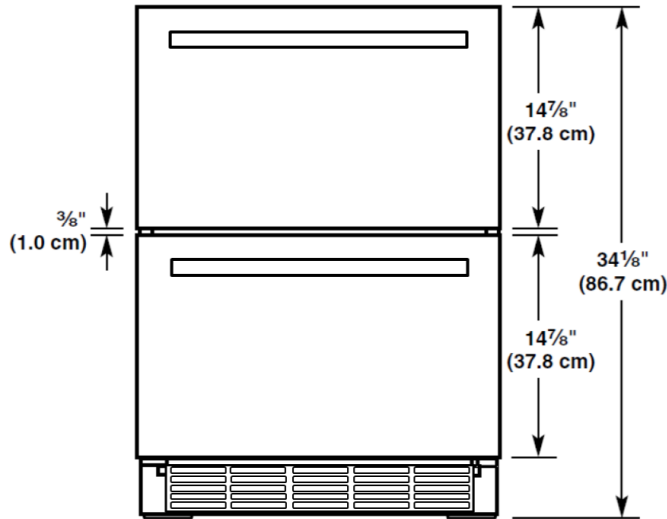
Examples of abnormal behavior or failure:

- The unit does not operate when it is plugged in.
- When moving the power cord, the unit switches on and off.
- During operation, there are abnormal sounds and a strong odor of burning.
- The unit becomes extremely hot and its shape deforms.

Immediately request service or repair from an authorized service provider.

## PRODUCT DIMENSIONS

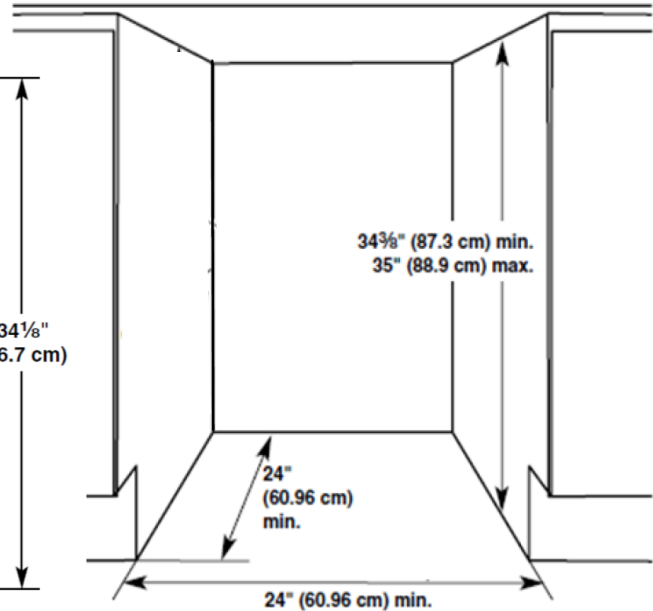
- Refer to the below diagrams for product dimensions. When the leveling legs are extended to  $\frac{1}{4}$ " (6.35 mm), the unit's total height is  $34 \frac{1}{8}$ " (86.7cm) as shown. With the leveling legs fully extended to 1", the unit's height is  $34 \frac{7}{8}$ " (88.6 cm).
- The power cord is 60" (152.4 cm) long.



## INSTALLATION

### LOCATION REQUIREMENTS

- Refer to the below diagram for undercounter opening requirements.



- Remove any moldings, trims, or baseboards from the rear wall of the opening, so that the front of the unit can be flush with the surrounding cabinetry.
- Check that the floor of the opening is level with the floor in front of it. If it is not, place shims in the opening until the two are even.
- Avoid installing the unit in a location near a heat source, or where the temperature will fall below  $55^{\circ}\text{F}$  ( $13^{\circ}\text{C}$ ).

## MOVING APPLIANCE TO FINAL LOCATION

### WARNING:



Two or more people are required to move and/or install the appliance. Failure to do so may cause back or other injury.

1. Cover the floor with cardboard or hardboard to avoid floor damage when moving or setting down the appliance.
2. Once located by its desired location, plug the unit into a grounded 3 prong outlet.



### WARNING:

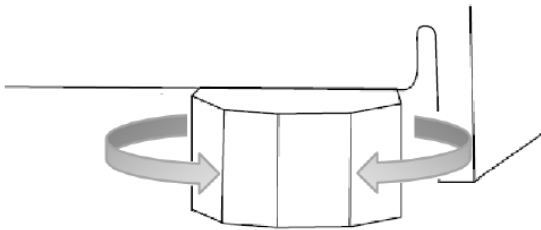
- Always plug into a grounded 3 prong outlet.
- Do not remove the ground prong.
- Do not use an adapter.
- Do not use an extension cord.

Failure to follow these instructions can result in death, fire or electrical shock.

3. Move the unit straight back and evenly into the opening. Do not wiggle or “walk” the appliance, as floor damage may occur.

## LEVELING THE REFRIGERATOR/ FREEZER DRAWERS

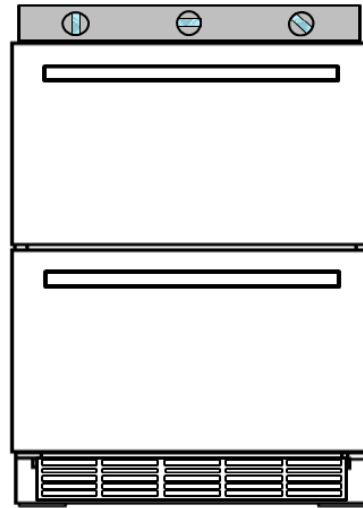
- Before installation, ensure that a minimum  $\frac{3}{8}$ " (9.5 mm) gap exists between the top of the appliance and the bottom of the countertop. Adjust the leveling legs (front and back) accordingly.



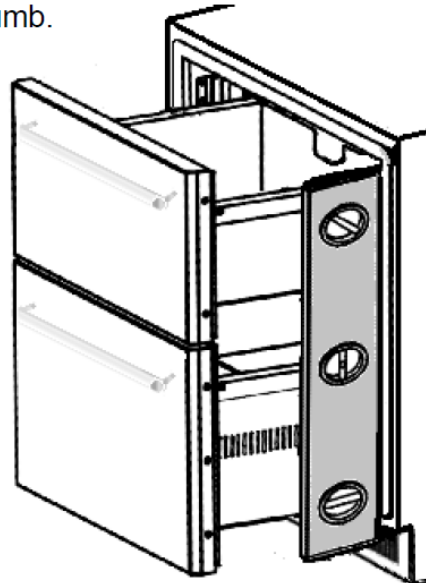
- Turning a leveling leg to the right will lower the appliance toward the position of the leg. Likewise, turning to the left will raise the unit away from the leg.

NOTE: It is easier to adjust the leveling legs if someone else pushes against the top of the appliance to take the weight off of the legs.

- Open the top drawer and place the level across the top drawer as shown below. Check the level from left to right.

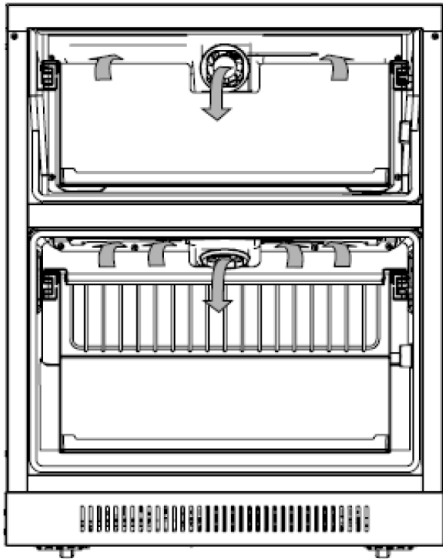


- Turn the leveling legs (front and back) until the top drawer measures level from left to right.
- Remove the level and close the top drawer. Check the gap between the top of the drawer and the countertop. If the gap measures less than  $\frac{3}{8}$ " (9.5 mm), turn all four leveling legs equally to the right to lower the appliance as needed. Recheck the level.
- Open both drawers less than midway. Place the level on the side flange beside the drawers as shown. Turn the front leveling legs together in order to either raise or lower the appliance until the sides of the refrigerator drawers are plumb.



## MAINTAINING AIR-FLOW

Cold air circulates from the vents built into the rear of the appliance's interior (see below) and warm air discharges from the vent near the bottom of the appliance. Do not block any of these airflow vents.



Blocking the vents will restrict the air movement and cause temperature and moisture problems.

## UNIT CONTROLS

The control panel for both the top and bottom drawers is located in the upper drawer. To access this panel, pull out the upper drawer.

### IMPORTANT:

- Wait 24 hours after first turning on the refrigerator/freezer drawers before adding perishable food and beverages into the unit. These items may spoil if the unit has not cooled completely.

**NOTE:** Adjusting the controls to a lower (colder) setting in either drawer will not decrease the amount of time needed to properly cool the interior of the appliance.

- If the interior temperature is still too warm, or if either of the drawers are too cold, check the air vents for blockage before adjusting the controls.
- The factory settings should be ideal for normal household usage.

- When a drawer is opened for an extended period of time, the actual temperature may differ from what is displayed on the control panel.

## Viewing the Temperature Display In Celsius

- Press and hold the °C button for 3 seconds. The indicator above the button will light up, and the temperature display will change from degrees Fahrenheit to degrees Celsius.
- To revert to displaying in degrees Fahrenheit, press and hold the °C button again for 3 seconds.



## Adjusting the temperatures

The refrigerator (upper) drawer's temperature is controlled by the arrows on the right side of the display area. The freezer (lower) drawer's temperature is adjusted by the arrows on the left.



## Set-point temperature adjustment

Press the up or down arrows on the control panel until the desired temperature is reached for the refrigerator and freezer drawer.

The set-point range for the refrigerator drawer is 34°F (1°C) to 45°F (7°C). The set-point range for the freezer drawer is -5°F (-20.5°C) to 5°F (-15°C).

## Using the “Control Lock” Feature

To prevent unintentional temperature changes by small children, or during cleaning, the control panel features a Control Lock function.

- Press and hold the Control Lock button for 3 seconds. The indicator above the button will light up, signaling activation of the Control Lock.



- Pressing and holding the Control Lock button again for 3 seconds will deactivate the lock.

**NOTE:** When the Control Lock is activated, the control panel will not function and the temperature settings cannot be changed. If any buttons are pressed, a beep will sound to indicate that the Control Lock is active.

## Resetting the “Drawer Open” alarm

When either drawer has been left open for 10 minutes or longer, the Drawer Open alarm will sound and the indicator above the Alarm Reset button will light up.



To temporarily disable the Drawer Open alarm, press and hold the Alarm Reset button for 3 seconds. Closing the open drawer will also stop the alarm and reset the 10-minute timer.

## REFRIGERATOR/FREEZER DRAWERS CARE

The unit will defrost automatically. To prevent the buildup of odors, clean the appliance about once a month.

Follow the below procedures for cleaning the unit:

1. Disconnect from power.
2. Using a clean sponge or soft cloth, hand wash, rinse, and dry removable parts and interior surfaces thoroughly. Use a mild detergent in warm water.
  - ◆ **DO NOT** use abrasive or harsh cleaners such as window sprays, scouring cleansers, flammable fluids, cleaning waxes, concentrated detergents, bleaches or cleansers containing petroleum products.
  - ◆ **DO NOT** use harsh cleaning tools such as paper towels or scouring pads, as these can scratch or damage the surfaces of the appliance.
3. For stainless-steel and painted metal exterior surfaces, use a clean sponge or soft cloth and a mild detergent in warm water.
  - ◆ **DO NOT** use abrasive or harsh cleaners, or cleaners containing chlorine, as these can scratch or damage the material.
4. Using a soft cloth, dry thoroughly. To help with removing odors, you can use a mixture of warm water and baking soda (2 tbs to 1 qt [26 g to 0.95 L] of water) to wash the interior walls.

## POWER INTERRUPTIONS

In the event power is lost for 6 hours or less, keep both drawers closed to help food and beverages remain cold.

In the event of a power loss lasting longer than 6 hours, all perishable items must be consumed if still sufficiently cold, moved to a suitably cold environment, or discarded immediately.

## TROUBLESHOOTING

Many problems can be resolved without the need for a service call. Try the following list as a reference to potential solutions of common problems.

***PROBLEM:*** *The unit is not operating.*

- Is the power supply cord unplugged? Plug into a grounded 3 prong outlet.
- Has a household fuse blown, or a circuit breaker been tripped? Replace the fuse or reset the circuit.

***PROBLEM:*** *The motor is constantly running, or running too much.*

- Is it hotter than usual where the appliance is? At normal temperatures, the motor will typically run between 40% and 80% of the time. The motor will run even longer when the appliance is in an unusually warm environment.
- Has a large amount of product been added to the refrigerator/freezer drawers? The more that is added, the longer it will take for the product to cool down. During this process, the motor will run longer.
- Are the drawers frequently opened? Warm air entering the unit causes the motor to run longer. Try to get everything you need out of the drawers at once, in order to save energy. If food is organized so that it is easy to find, the time the drawers are kept open can be minimized. Close the drawers as soon as you have removed what you need.
- Are the controls set correctly? See UNIT CONTROLS section on page 5.
- Are the drawers completely closed? Push the drawers firmly shut.
- Are the air-flow vents blocked? Ensure that there are no items in the drawers, or in front of the exterior vent that are restricting the air-flow.

***PROBLEM:*** *The divider between the two compartments feels warm.*

- The cause may be the normal operation of a moisture-control system for the exterior of the unit
- Has a large amount of product been added to the refrigerator/freezer drawers? This will warm the interior of the unit until the appliance is able to cool down to the correct temperature.
- Are the drawers open often? This will allow warm outside air to enter the unit. Keep the refrigerator/freezer drawers cool by removing all needed items at once and closing them as soon as possible.

***PROBLEM:*** *The refrigerator/freezer drawers make too much noise.*

- You may hear condensed water running into the drain pan in the rear of the unit. This is a normal.
- Temperature changes may create a popping noise as the inside walls contract and expand.

***PROBLEM:*** *There is excessive moisture inside the refrigerator/freezer drawers.*

- Are the drawers opened frequently? If so, humidity from the room will enter the appliance and cause moisture to build up. This will happen even more if the air in the room is very humid.
- Is all product properly packed? Ensure all items inside the unit are securely wrapped. Wipe damp containers.
- Are the air-flow vents blocked? Refer to section MAINTAINING AIR FLOW on page 5.

***PROBLEM:*** *The drawers are hard to open.*

- Are the gaskets dirty or sticky? Clean the gaskets and the surfaces that they touch. Rub a thin coat of paraffin wax on the gaskets after cleaning.

***PROBLEM:*** *The drawers will not close completely.*

- Are products blocking the drawers? Arrange them so that they take up less space inside the unit.

# LIMITED WARRANTY

## ONE-YEAR LIMITED WARRANTY

Within the 48 contiguous United States, for one year from the date of purchase, when this appliance is operated and maintained according to instructions attached to or furnished with the product, warrantor will pay for factory-specified parts and repair labor to correct defects in materials or workmanship. Service must be provided by a designated service company. Outside the 48 states, all parts are warranted for one year from manufacturing defects. Plastic parts, shelves and cabinets are warranted to be manufactured to commercially acceptable standards, and are not covered from damage during handling or breakage.

## 5-YEAR COMPRESSOR WARRANTY

The compressor is covered for 5 years.

Replacement does not include labor.

### **ITEMS WARRANTOR WILL NOT PAY FOR:**

- Service calls to correct the installation of your appliance, to instruct you how to use your appliance, to replace or repair fuses or to correct wiring or plumbing.
- Service calls to repair or replace appliance light bulbs or broken shelves. Consumable parts (such as filters) are excluded from warranty coverage.
- Damage resulting from accident, alteration, misuse, abuse, fire, flood, acts of God, improper installation, installation not in accordance with electrical or plumbing codes, or use of products not approved by warrantor.
- Replacement parts or repair labor costs for units operated outside the United States.
- Repairs to parts or systems resulting from unauthorized modifications made to the appliance.
- Expenses for travel and transportation for product service in remote locations.
- The removal and reinstallation of your appliance if it is installed in an inaccessible location or is not installed in accordance with published installation instructions.

## DISCLAIMER OF IMPLIED WARRANTIES – LIMITATION OF REMEDIES

CUSTOMER'S SOLE AND EXCLUSIVE REMEDY UNDER THIS LIMITED WARRANTY SHALL BE PRODUCT REPAIR AS PROVIDED HEREIN. IMPLIED WARRANTIES, INCLUDING WARRANTIES OF MERCHANTABILITY OR FITNESS FOR A PARTICULAR PURPOSE, ARE LIMITED TO ONE YEAR. WARRANTOR SHALL NOT BE LIABLE FOR INCIDENTAL OR CONSEQUENTIAL DAMAGES. SOME STATES DO NOT ALLOW THE EXCLUSION OR LIMITATION OF INCIDENTAL OR CONSEQUENTIAL DAMAGES, OR LIMITATIONS ON THE DURATION OF IMPLIED WARRANTIES OF MERCHANTABILITY OR FITNESS, SO THESE EXCLUSIONS OR LIMITATIONS MAY NOT APPLY TO YOU. THIS WARRANTY GIVES YOU SPECIFIC LEGAL RIGHTS AND YOU MAY ALSO HAVE OTHER RIGHTS, WHICH VARY FROM STATE TO STATE.

**WARNING!** This product may contain chemicals known to the state of California to cause cancer or birth defects or other reproductive harm. For more information, visit: [www.summitappliance.com/prop65](http://www.summitappliance.com/prop65)

Chemicals known by the manufacturer to be present in this product in concentrations higher than threshold limits: NONE

### **SUMMIT APPLIANCE DIV.**

Felix Storch, Inc.

770 Garrison Avenue

Bronx, New York 10474

Tel.: 1-718-893-3900

Fax: 1-718-842-3093

[www.summitappliance.com](http://www.summitappliance.com)

# SUMMIT

For parts and accessory ordering,  
troubleshooting and helpful hints, visit:  
[www.summitappliance.com/support](http://www.summitappliance.com/support)