

PRO24G

36.0" x 23.25" x 24.0" (H x W x D)

24" wide 'slide-in' look gas range with sealed burners, waist-high broiler, stainless steel finishing, and black cabinet and surface

Highlights:

24" width is ideal for smaller kitchen spaces

Sealed Sabaf® burners provide a safer, cleaner cooking experience

Unique stainless steel and black finishing in a modern European design

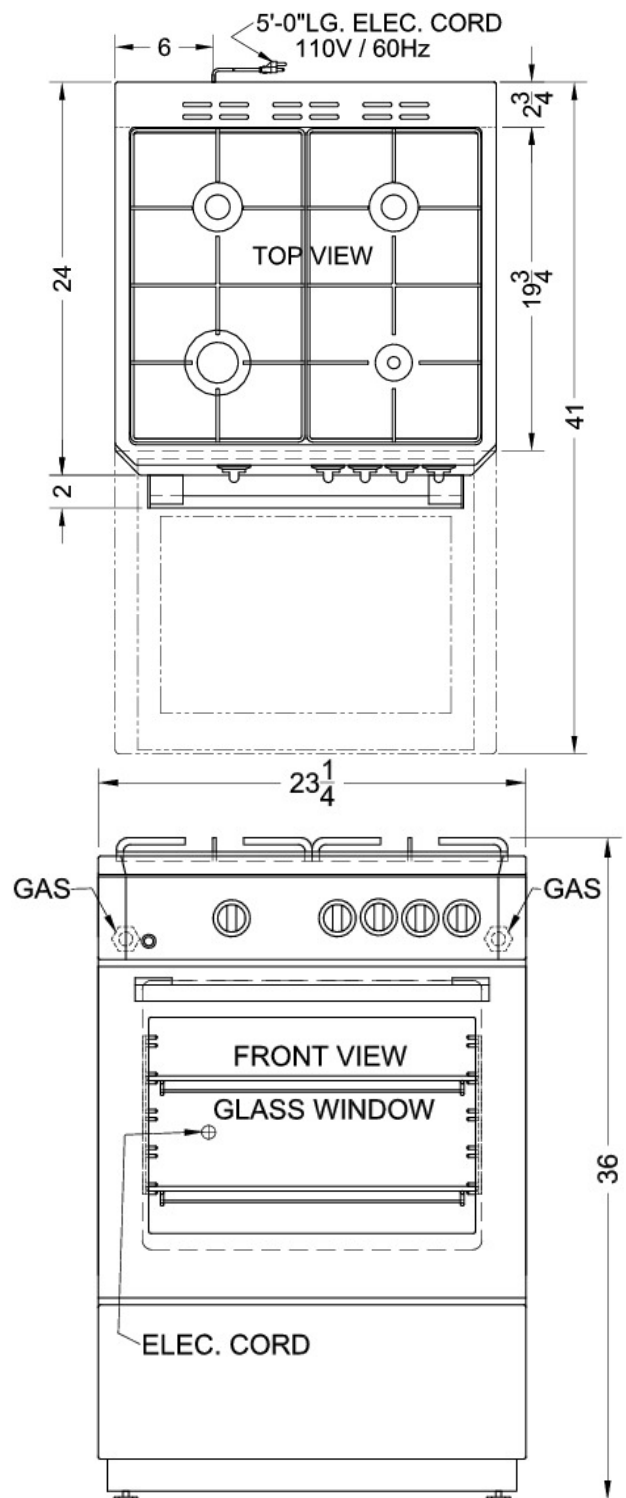
Slide-in look does not include backguard



Sealed Sabaf burners	Quality burners ensure a safer cooking performance
Electronic ignition	Spark ignition for added safety
LP Conversion kit included	Kit allows user to convert the unit from natural to LP gas after purchase
Stainless steel finishing	Lower panel and manifold feature stylish stainless steel
Continuous grates	Two sets of continuous grates make it easy to slide cookware from front to back burners
Waist-high broiler	Broiler is located inside the oven, making it easier to use
Push-to-turn controls	Safety knobs help prevent accidents from turning on the oven or burners
Slide-out oven racks	Two racks with five glide positions for flexible cooking
Oven window	Black-tinted window for a full view of the interior
Oven light	Interior light lets you monitor your cooking

Specifications:

Height	36.0"
Width	23.25"
Depth	24.0"
Ext Depth with Handle	26.0"
Shipping Weight	126.0 lbs.
Amps	0.5
Canadian Electrical Safety	ETL-C
US Electrical Safety	ETL
Oven Rack Quantity	2
Depth with door at 90°	41.0"
Fuel Type	Spark
Number of Burners	4
Burner Temperature Control	Dial
Burner Type	Sealed
Oven Door Window	true
Oven Cleaning Type	Manual
Interior Oven Light	true
Oven Temperature Control	Dial
Cooktop Surface	Painted
LP Convertible	true
Parts/Labor Warranty	1 Year



Summit Appliance Division, Felix Storch, Inc.
 770 Garrison Ave • Bronx, NY 10474
 Phone: 718-893-3900 • Fax: 718-842-3093
 Email: info@summitappliance.com