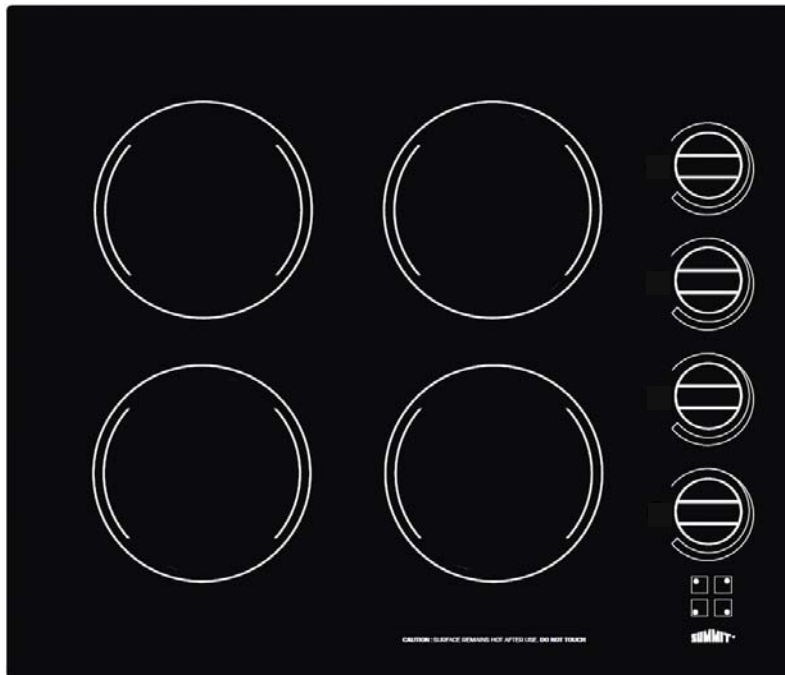




**INSTRUCTION MANUAL**  
**for 4-Burner Electric Cooktop**  
**Model CR424**



**Felix Storch, Inc.**  
**Summit Appliance Division**  
**770 Garrison Avenue**  
**Bronx, NY 10474**  
**[www.summitappliance.com](http://www.summitappliance.com)**

Please read these instructions in their entirety before installation and use of your cooktop. SAVE THIS MANUAL FOR FUTURE REFERENCE.

## Table of Contents

|   |               |
|---|---------------|
| <b>Technical Information</b> .....                | <b>1</b>      |
| <b>Safety Instructions</b> .....                  | <b>2 - 3</b>  |
| <b>Installation Instructions</b> .....            | <b>4 - 9</b>  |
| Unpacking the Cooktop .....                       | 4             |
| Checking the Electrical Supply Requirements ..... | 4             |
| Preparing the Countertop .....                    | 5 - 6         |
| Installing the Cooktop .....                      | 7             |
| Electrical Connection and Wiring Diagram .....    | 8             |
| Final Preparations Prior to Use .....             | 9             |
| <b>Operation</b> .....                            | <b>9 - 10</b> |
| Cookware.....                                     | 9             |
| Heating Elements.....                             | 9 - 10        |
| Controls & Indicators.....                        | 10            |
| Cleaning.....                                     | 10            |
| <b>Warranty</b> .....                             | <b>11</b>     |

## Technical Information

|                                |   |
|--------------------------------|---|
| <b>Model Number</b>            | CR424                                     |
| <b>Description</b>             | 4-burner ceramic glass electric cooktop   |
| <b>Electrical Requirements</b> | 230V AC, 21A, 60Hz                        |
| <b>Power Rating of Burners</b> | 4 @ 1200W: Total of 4800W                 |
| <b>Diameters of Burners</b>    | 4 burners @ 6.5"                          |
| <b>Overall Dimensions</b>      | 24"W x 20½"D x 3¾"H (not including knobs) |
| <b>Cutout Dimensions</b>       | 22⅛" x 18⅝" with ¼" radius                |

For future reference, please record the Serial Number of your cooktop here:

## SAFETY INSTRUCTIONS

***Read this section BEFORE operating the cooktop.***

**This cooktop, like all appliances, has the potential to create safety problems through careless and improper use. Please observe all of the following safety precautions.**

- **Proper Installation**  
Be sure your appliance is properly installed and grounded by a qualified technician.
- **Never use your appliance for warming or heating the room.**
- **Do not leave children alone.**  
Children should never be left alone or unattended in the area where the appliance is in use. They should never be allowed to sit or stand on any part of the appliance.
- **CAUTION: Do not store items of interest to a child in cabinets above cooktop.**  
Children climbing on the cooktop to reach such items could be seriously injured.
- **Wear proper clothing/apparel.**  
Loose-fitting or hanging garments should never be worn while using the appliance.
- **User Servicing**  
Do not repair or replace any part of the appliance. If service ever becomes necessary, this appliance should be serviced by *AUTHORIZED PERSONNEL ONLY* or call *SUMMIT Customer Service at 1-800-932-4267*.
- **Keep flammable materials away from the cooktop.**
- **Do not store plastic material (such as plastic utensils) in storage areas beneath cooktop.**  
Plastic items with low melting temperatures should not be stored under, over or near the cooktop.
- **Do not soak removable heating elements.**  
Heating elements should never be immersed in water.
- **Do not use water on grease fires.**  
Smother fire or flame or use dry chemical or foam-type extinguisher.
- **Use only dry potholders.**  
Damp potholders on hot surfaces may result in burns from steam. Do not let

potholder touch the heating elements on the appliance. Do not use a towel or other bulky cloth in place of a potholder.

- **Do not cook on a broken cooktop.**  
If your cooktop should break, cleaning solutions and spillovers may penetrate the broken cooktop and create a risk of electric shock. Immediately contact an authorized service center or call the SUMMIT Customer Service at **1-800-932-4267**.
- **Clean cooktop with caution.**  
If a wet sponge or cloth is used to wipe spills on a hot cooking surface, be careful to avoid steam burns. Some cleaners produce noxious fumes if applied to a hot surface. Read the cleaner label for details prior to use.
- **DO NOT TOUCH HEATING ELEMENTS.**  
The heating elements on the cooktop may be hot even if they are dark in color. These areas may be hot enough to cause burns. Never touch heating elements until they have had sufficient time to cool. Likewise, never allow clothing or flammable materials to come in contact with heating elements or the cooktop surface until they have had sufficient time to cool. Other surfaces of the appliance may become hot enough to cause burns.
- **Use proper pan size.**  
This appliance is equipped with four surface units, each with a diameter of 6.5". Select utensils having flat bottoms large enough to cover the surface unit heating element. The use of undersized utensils will expose a portion of the heating element to direct contact and may result in ignition of clothing. Proper relationship of utensil to burner will also improve efficiency.
- **Never leave surface units unattended at high heat settings.**  
Boil-over causes smoking and greasy spillovers that may ignite.
- **Utensil handles should be turned inward and not extend over adjacent surface units.**  
To reduce the risk of burns, ignition of flammable materials, and spillage due to unintentional contact with the utensil, the handle of a utensil should be positioned so that it is turned inward, and does not extend over adjacent surface units.
- **Glazed cooking utensils**  
Only certain types of glass, glass/ceramic, ceramic, earthenware, or other glazed utensils are suitable for range-top service without breaking due to sudden changes in temperature.

**- SAVE THESE INSTRUCTIONS -**

## Installation Instructions



### **IMPORTANT!**

**Save this manual for review by local inspector.**

**This appliance must be properly installed and grounded by a qualified technician.**

### **1. Unpacking the Cooktop**

Carefully unpack the cooktop from its shipping container. If possible, keep the original shipping carton and protective packaging in the event the unit has to be returned for service.

Verify the package contents. If the ceramic glass cooktop appears to be damaged or parts are missing, call SUMMIT immediately.



**Important! Do not remove the clear plastic covering film on the ceramic glass until the cooktop is ready to be installed.**

### **2. Checking the Electrical Supply Requirements**

This product must be installed in accordance with national, state and local electric codes. Here are the electrical requirements:

|                                    |                      |
|------------------------------------|----------------------|
| <b>Model Number</b>                | CR424                |
| <b>Maximum Connected Load</b>      | 4800 watts           |
| <b>Required Power Supply Input</b> | 230V AC / 21A / 60Hz |

The supply must be from an individual grounded circuit that is protected by a circuit breaker and rated per the specifications as shown above.



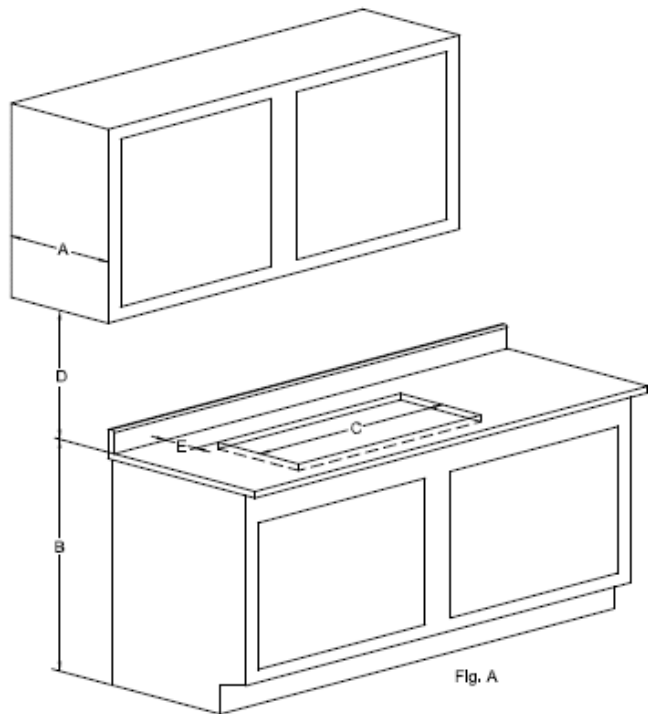
**Warning: If the electric power supply does not meet the product specifications, consult with a licensed electrician before proceeding with installation.**

### 3. Preparing the countertop

***Please read this section prior to making a cutout in your counter for the cooktop.***

It is important to plan ahead for installation of the cooktop, keeping the following dimensions in mind. (Please refer to Fig. A.)

- A. Maximum depth of overhead cabinets should be 13 inches.
- B. Minimum height of the countertop above the floor should be 36 inches.
- C. Minimum flat countertop surface that the cooktop will rest upon must be equal to or greater than the overall cooktop dimensions. (Refer to page 1 for these dimensions.)
- D. Minimum clearance between the top of the cooking surface and the bottom of an unprotected wood or metal cabinet should be 30 inches. When the bottom of a wood or metal cabinet is protected by not less than ¼ inch thick flame-retardant millboard covered with not less than No. 28 MSG sheet steel, 0.015-inch-thick stainless steel, 0.024-inch-thick aluminum or 0.020-inch-thick copper, the minimum clearance should be 24 inches.
- E. The distance from the backsplash of the countertop to the edge of the ceramic glass of the cooktop should be a minimum of 2 inches. The distance from a side wall to the edge of the ceramic glass of the cooktop should be a minimum of 1 inch. (Refer to page 1 for overall cooktop dimensions).



***Do not install the cooktop closer than 1 inch (25 mm) from any adjacent surface.***



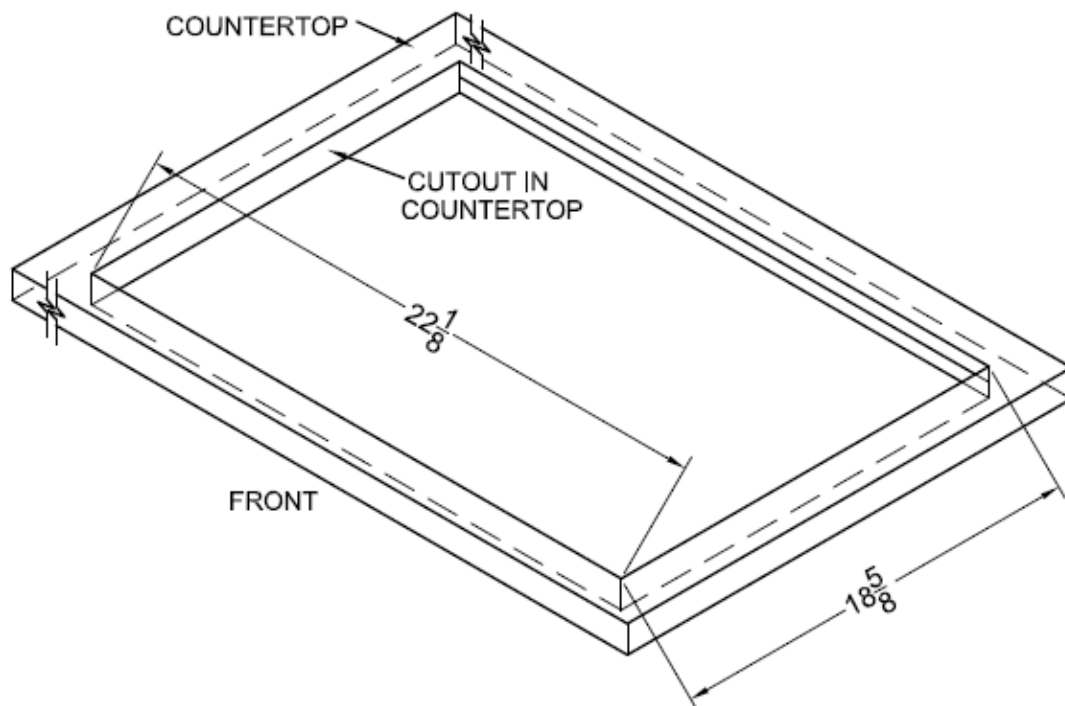
**Warning: To eliminate the risk of burns when reaching over heated surface units, avoid having cabinet storage space located above surface units. If cabinet storage is to be provided, the risk can be reduced by installing a range hood that projects horizontally a minimum of 5" beyond the bottom of the cabinets.**

Before making the countertop cutout, check for clearance. See if the cooktop will clear the front and side walls of the base cabinet. It is also important to provide enough ventilation.

Adequate ventilation of the space below the countertop must be provided to ensure proper operation of the cooktop. Heat transferred from the cooktop bottom pan during operation will overheat an improperly ventilated area.

Allow a 2" (51mm) minimum clearance between the bottom of the metal pan of the cooktop and any combustible surface located below, e.g., the upper edge of a drawer installed below the cooktop. Failure to provide proper clearances and ventilation may result in a fire hazard.

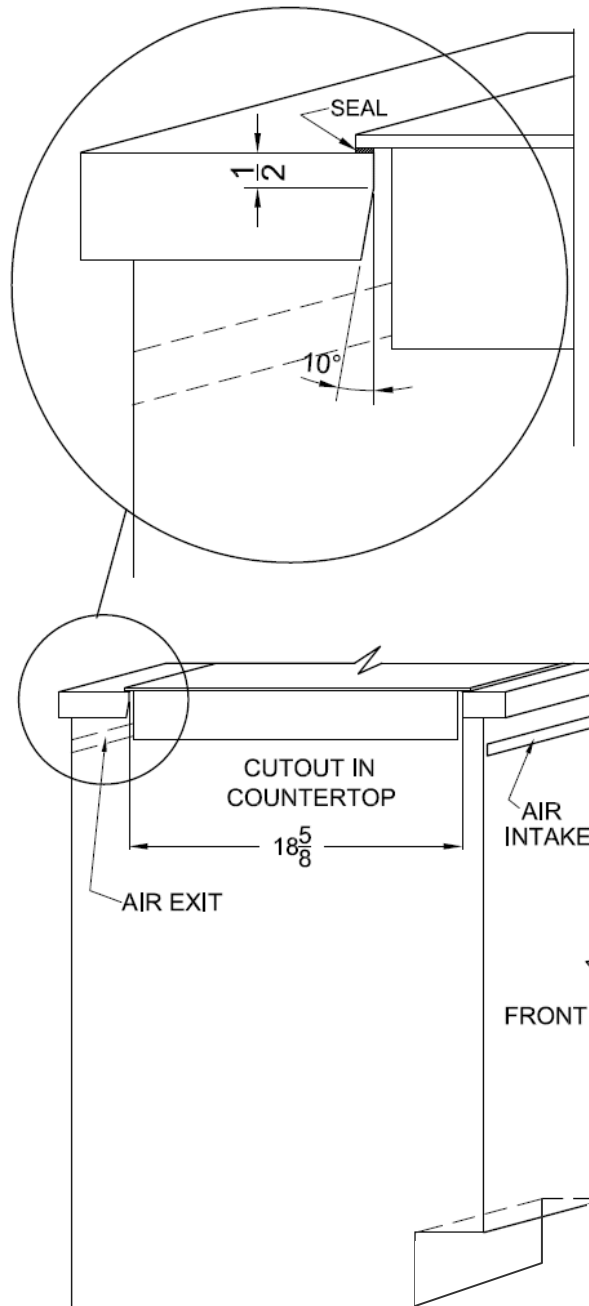
Countertop cutout dimensions are shown in the figure below.



**Note:** When making the countertop, put a radius at the corners of the cutout (a radius of  $\frac{1}{4}$ " is typical). This will keep the countertop from cracking. Follow the countertop manufacturer's instructions regarding the minimum corner radius and reinforcement of corners.

#### 4. Installing the Cooktop

The cooktop should be bedded to the countertop using a soft bedding compound that will prevent damage if later removal for service is necessary. A very small bead of silicone sealant should be laid around the edges of the cutout.



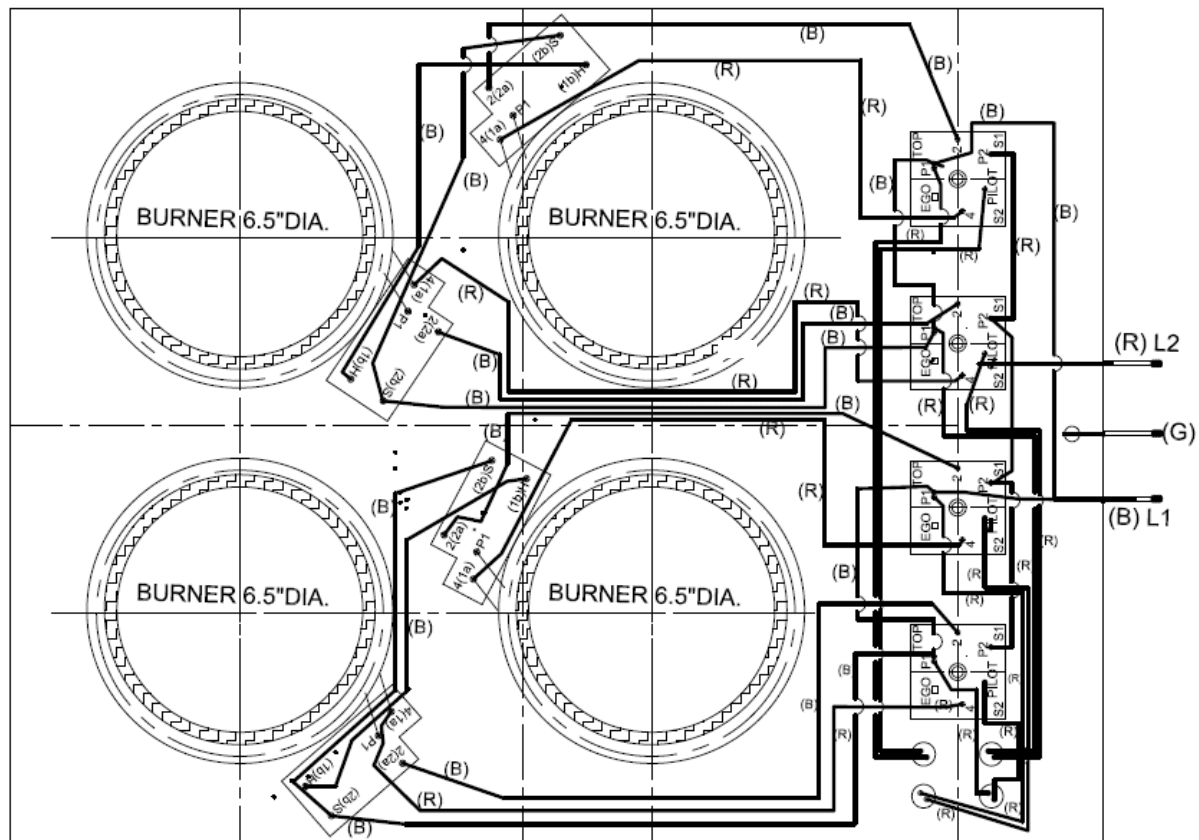
*Installation of the cooktop into the countertop*

Place the cooktop in the cutout opening and press firmly on all sides to seal the frame into the bedding compound. The sealant will hold the cooktop firmly in place on the countertop.



## 5. Electrical Connection

Before proceeding further, verify that the power supply is disconnected. Verify that the appropriate electrical supply requirements have been met. Please refer to the table on page 4 for appropriate electrical requirements. The cooktop is supplied with a 48-inch long conduit for a connection to an accessible junction box. The conduit consists of three insulated wires. There are two hot lead conductors (black and red insulated-tinned copper) and one insulated ground conductor (green insulated-tinned copper). (See *Wiring Diagram* for model CR424 below and on bottom of cooktop.)



(R) RED  
(B) BLACK  
(G) GREEN

MODEL: CR424  
230V-60Hz 21A MAX.  
(4) @ 1200W = 4800W

*Wiring Diagram*

Attach conductor wires to residence wiring in accordance with national, state and local electric codes.



### **Warning - Grounding**

**The entire appliance must be grounded at all times when the electrical power supply is on. Do not ground the appliance with the neutral house supply wire (white). A separate ground must be used.**

## **6. Final Preparations Prior to Use**

Remove the plastic film from the cooktop. Clean the cooktop before you use it for the first time. A thorough cleaning with a recommended cooktop cleaner will provide a clean, shiny coating on the cooktop surface.

The next sections of the manual cover cooktop use, maintenance and service information.

**Please keep these instructions with your cooktop for future reference.**

# **Operation**

## **READ *SAFETY INSTRUCTIONS* BEFORE OPERATING YOUR APPLIANCE.**

The cooking surface areas of your glass ceramic cooktop are identified by permanent patterns in the cooktop. The appliance is easy to maintain and easy to clean. Keeping the cooktop at its top performance levels can be achieved by following the simple guidelines for use and cleaning below:

### **Cookware**

Chances are that your existing cookware will work just fine with your glass ceramic cooktop. Cooking on a glass ceramic cooktop does not require special pots or pans. Since cookware plays an important role in cooking efficiency and convenience, keep in mind the following information when selecting your cookware.

The cookware should have a flat bottom. Although glass and other types of cookware can be used, metal cookware with thick, smooth, flat bottoms will generally conduct the heat well. Aluminum and stainless steel cookware usually work best. Avoid cookware with shaped and rounded bottoms as well as utensils that warp when heated.

Use cookware of the correct diameter only. The base of the pot or pan should be about as wide as the cooking zone on which it is used – not much wider or much narrower. By using utensils with the correct diameter, you should achieve maximum heating efficiency in the shortest possible time.

Be certain that both the cooktop surface and the bottom of your pots and pans are clean and dry before use. By doing so, you will help prevent scratches and stains.

### **Heating Elements**

This cooktop contains radiant heating elements. The radiant elements will “light up” about 4-5 seconds after being turned on. The special design of these elements directs the heat up through the ceramic glass, providing efficient cooking. Temperature limiters are included in each element to ensure that the safe operating temperature of the ceramic glass top is not exceeded. The

temperature limiter will cycle the radiant element on and off to prevent exceeding the maximum safe surface temperature.

### **Controls & Indicators**

Each of the cooking area controls has an infinite selection of heat settings. The control settings begin at low and increase heat output by cycling the heating elements between OFF and full power as you turn the knob clockwise. The heating elements will stay at full power for longer periods and at zero power for shorter periods as you turn the knob clockwise, thus increasing the heat output.

There is a light associated with each of the control knobs that provides an indication of burner operation and a hot surface. When a control is in the ON position, the red light is lit indicating which burner is on and is therefore too warm to touch. Do not place articles other than cookware on the cooking surface while this light is glowing.

### **Cleaning**

To help ensure that your cooktop stays clean, follow these easy-care tips:

- Clean the cooktop before you use it for the first time. A thorough cleaning with a recommended cooktop cleaner will provide a coating on the cooktop prior to its first use.
- Always remove food spills, grease spatters and metal rub-off from cookware. A razor blade scraper or the equivalent works well to remove spillovers.
- Clean the cooktop with a paper towel or a clean, soft cloth and a recommended cleaner. After cleaning, always wipe the cooktop with a clean, damp cloth to avoid cooked-on cleaner residue. Wipe the cooktop dry.
- Do not use a dish towel or sponge to wipe off the cooktop. A film may be left by the detergent and may cause discoloration of the cooktop surface.
- Avoid abrasive scouring cleaners of any kind. Also avoid using plastic, nylon or metal cleaning pads. They may scratch or melt onto the cooktop.
- Avoid chemical cleaners such as chlorine bleach, ammonia, hydrofluoric acid or chemical oven cleaners. They can etch or discolor the surface.
- Do not let anything that melts – plastic, aluminum foil, sugar, etc. – come into contact with the cooktop surface when it is hot. Should something melt onto the surface, *immediately* move it to a cool area of the cooktop with a razor blade scraper and then remove it from the cooktop as soon as possible.

## **ONE-YEAR LIMITED WARRANTY**

Within the 48 contiguous United States, for one year from the date of purchase, when this appliance is operated and maintained according to instructions attached to or furnished with the product, warrantor will pay for factory-specified parts and repair labor to correct defects in materials or workmanship. Service must be provided by a designated service company. Outside the 48 states, all parts are warranted for one year from manufacturing defects. Plastic parts, shelves and cabinets are warranted to be manufactured to commercially acceptable standards, and are not covered from damage during handling or breakage.

### ***ITEMS WARRANTOR WILL NOT PAY FOR:***

- Service calls to correct the installation of your appliance, to instruct you how to use your appliance, to replace or repair fuses or to correct wiring or plumbing.
- Service calls to repair or replace appliance light bulbs or broken glass shelves. Consumable parts (such as filters) are excluded from warranty coverage.
- Damage resulting from accident, alteration, misuse, abuse, fire, flood, acts of God, improper installation, installation not in accordance with electrical or plumbing codes, or use of products not approved by warrantor.
- Replacement parts or repair labor costs for units operated outside the United States.
- Repairs to parts or systems resulting from unauthorized modifications made to the appliance.
- Expenses for travel and transportation for product service in remote locations.
- The removal and reinstallation of your appliance if it is installed in an inaccessible location or is not installed in accordance with published installation instructions.

## **DISCLAIMER OF IMPLIED WARRANTIES; LIMITATION OF REMEDIES**

CUSTOMER'S SOLE AND EXCLUSIVE REMEDY UNDER THIS LIMITED WARRANTY SHALL BE PRODUCT REPAIR AS PROVIDED HEREIN. IMPLIED WARRANTIES, INCLUDING WARRANTIES OF MERCHANTABILITY OR FITNESS FOR A PARTICULAR PURPOSE, ARE LIMITED TO ONE YEAR. WARRANTOR SHALL NOT BE LIABLE FOR INCIDENTAL OR CONSEQUENTIAL DAMAGES. SOME STATES DO NOT ALLOW THE EXCLUSION OR LIMITATION OF INCIDENTAL OR CONSEQUENTIAL DAMAGES, OR LIMITATIONS ON THE DURATION OF IMPLIED WARRANTIES OF MERCHANTABILITY OR FITNESS, SO THESE EXCLUSIONS OR LIMITATIONS MAY NOT APPLY TO YOU. THIS WARRANTY GIVES YOU SPECIFIC LEGAL RIGHTS AND YOU MAY ALSO HAVE OTHER RIGHTS, WHICH VARY FROM STATE TO STATE.

---

*Call customer service toll free in the U.S.A. @ 1-800-932-4267, Monday to Friday 9:00 am. - 5:00 p.m. (ET).*

*Order parts online at [www.summitappliance.com/support](http://www.summitappliance.com/support)*

---

**SUMMIT**

*Felix Storch, Inc.*  
770 Garrison Avenue  
Bronx, NY 10474

Phone: (718) 893-3900  
Fax: (718) 842-3093  
Web Site:  
[www.summitappliance.com](http://www.summitappliance.com)

---