

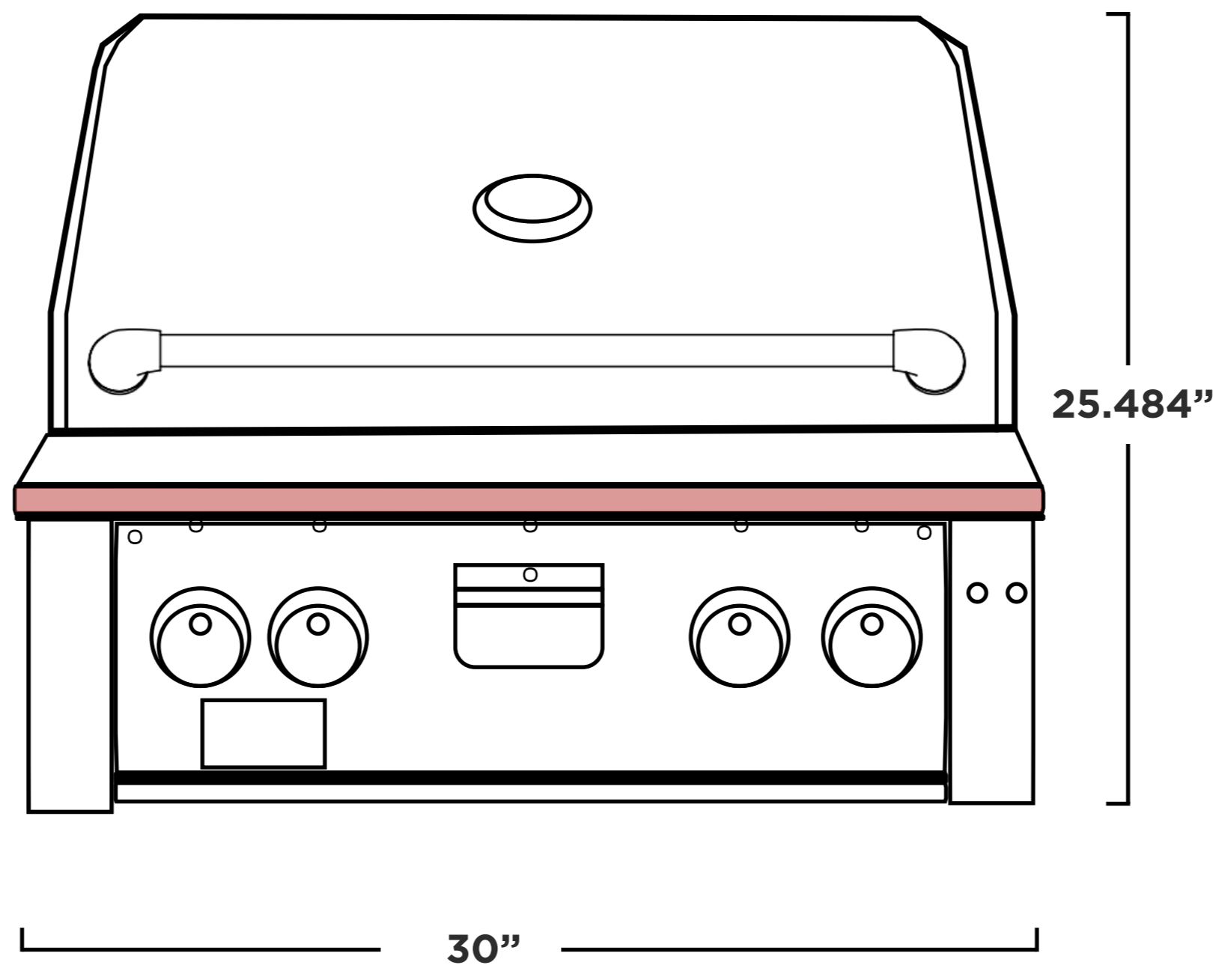


SUMMERSET
PROFESSIONAL GRILLS

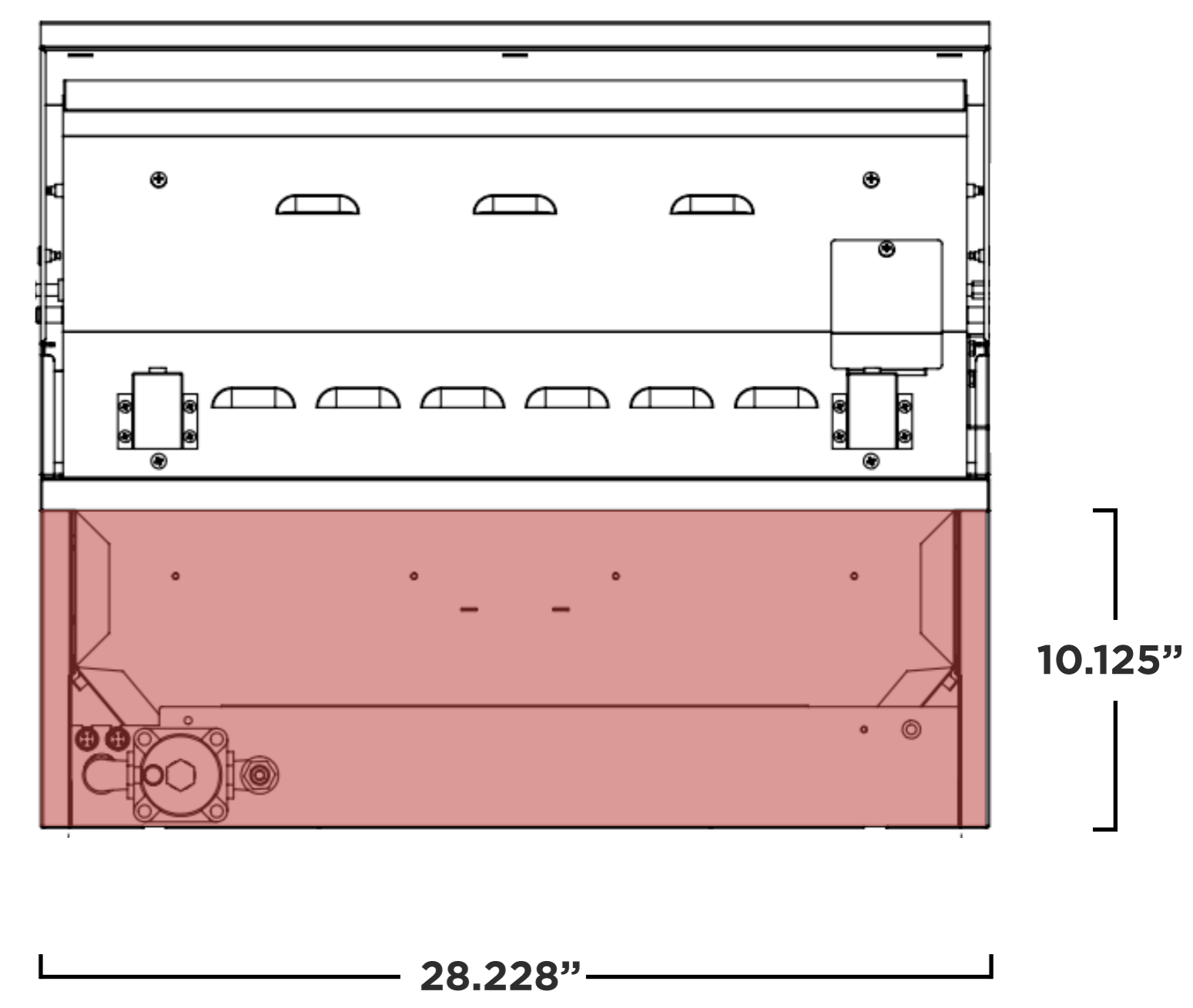
30" - Alturi

Model	ALT30
Cutout Dimensions**	28.5"W x 10.1875"H x 23.0625"D
Actual Dimensions	30"W x 25.484"H x 26.649"D
Material	#304 Stainless Steel
Burner Count	2 Main Burner
Total BTU	74,000 BTU
Total Cooking Surface	815 sq. in.
	120 VAC, 60 HZ - Input 12 VAC, 5000 mA, 60W - Output
Gas Inlet NG	3/8" NPT Female Regulator
Gas Inlet LP	3/8" NPT Male Fitting
Power Cord Length	13 ft. : 77" Power Cord + 80" Trans Wire

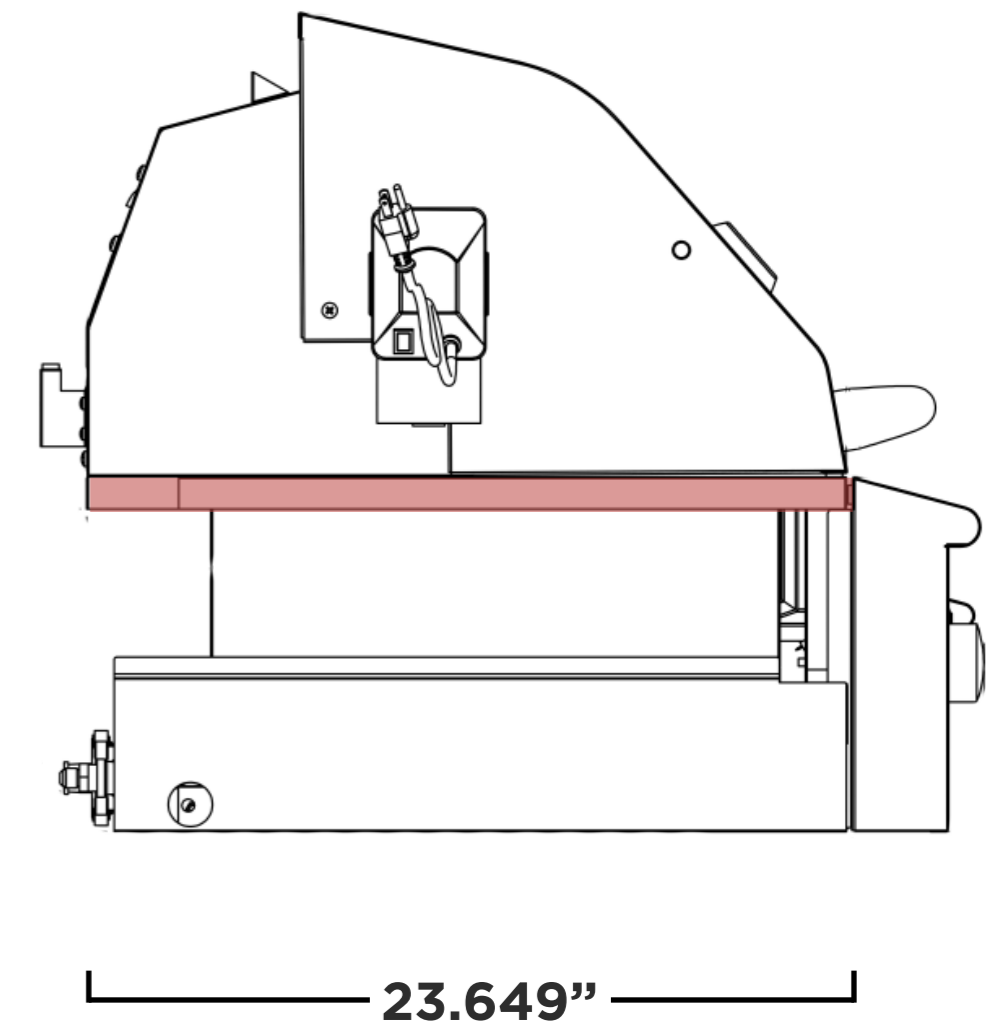
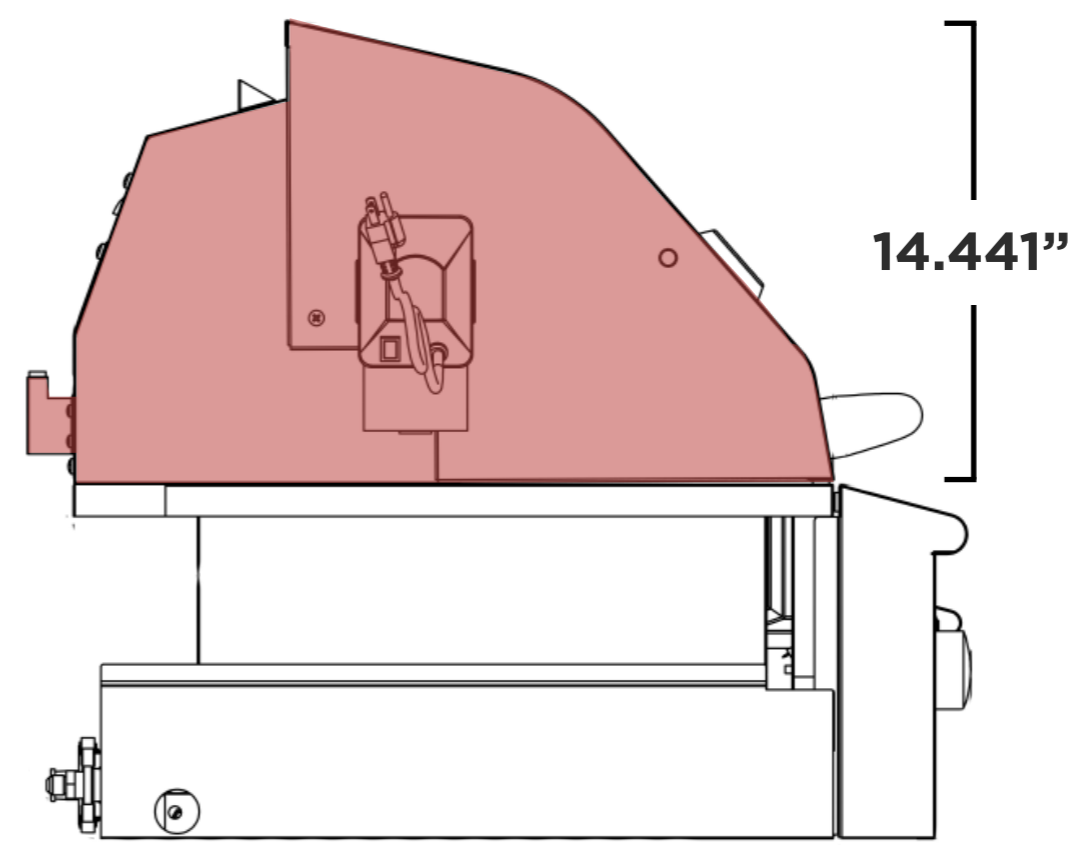
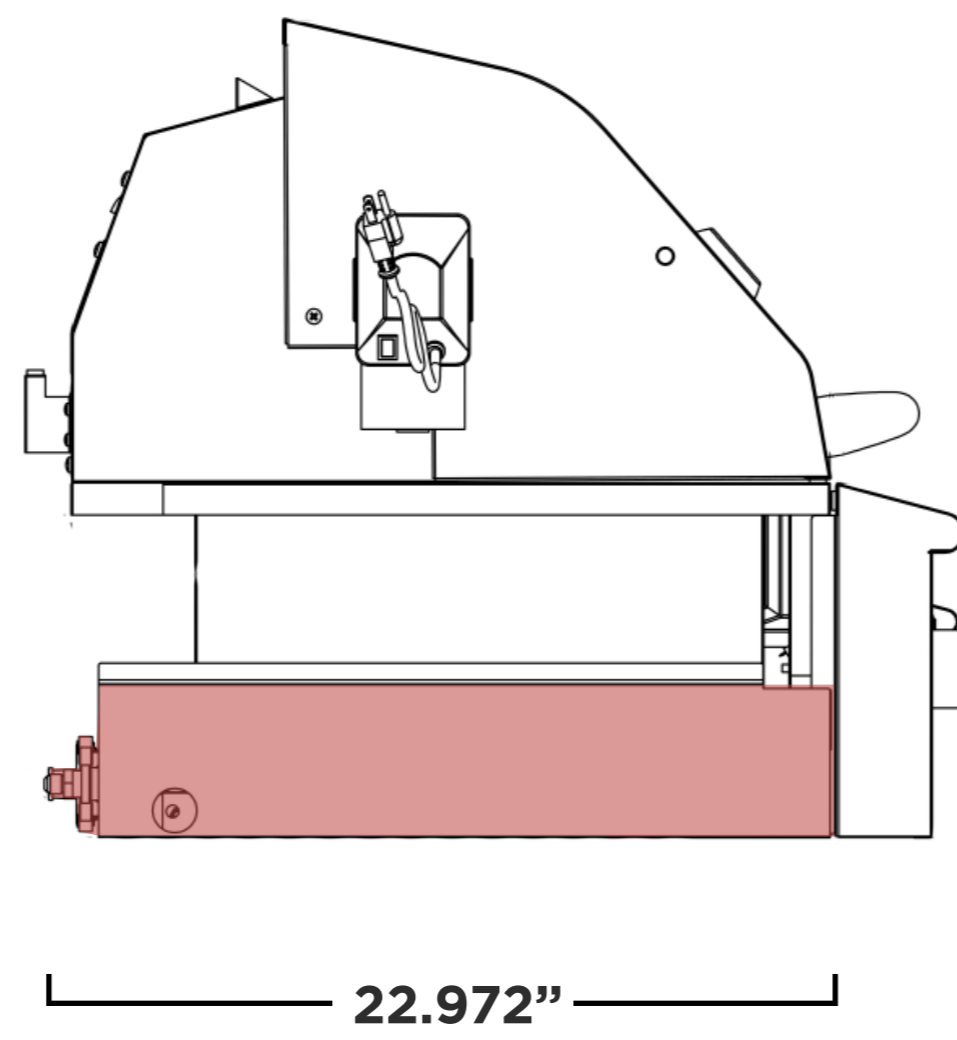
Front



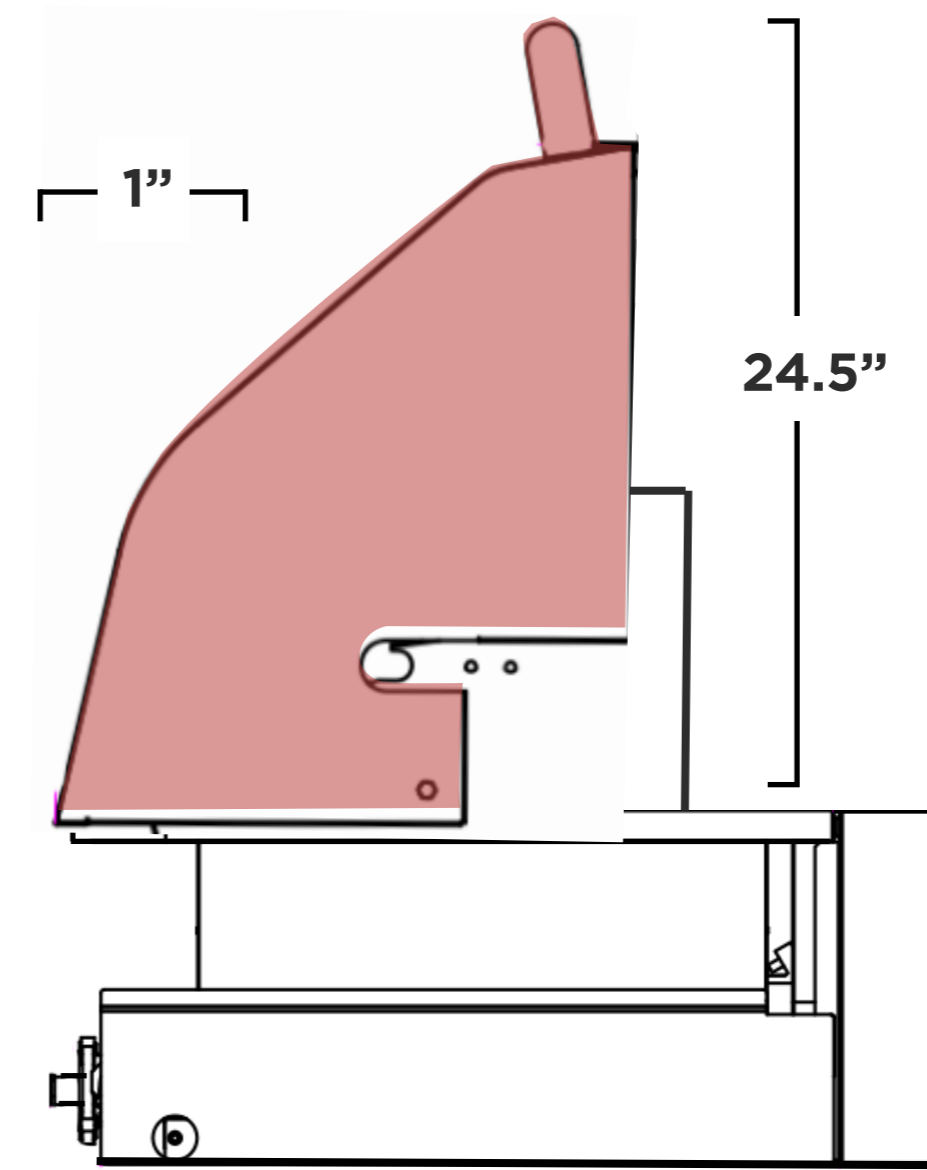
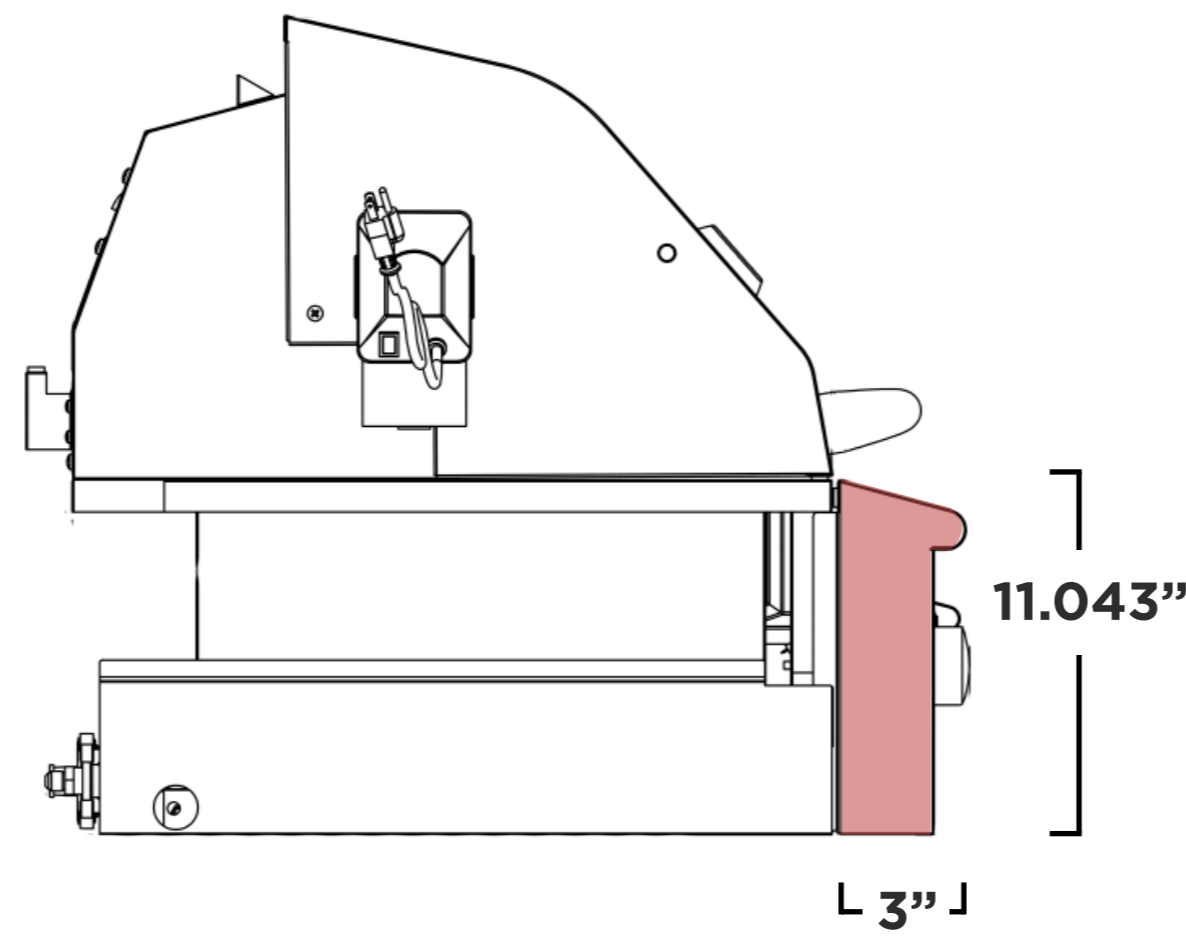
Rear



Side



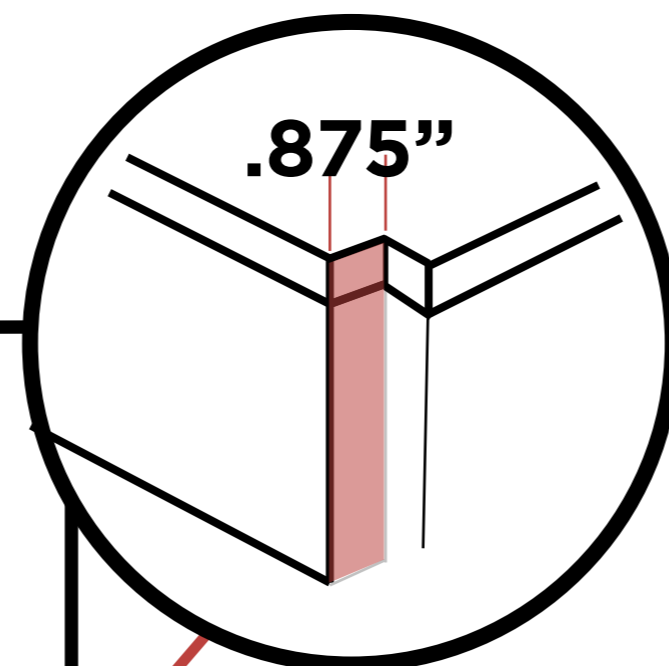
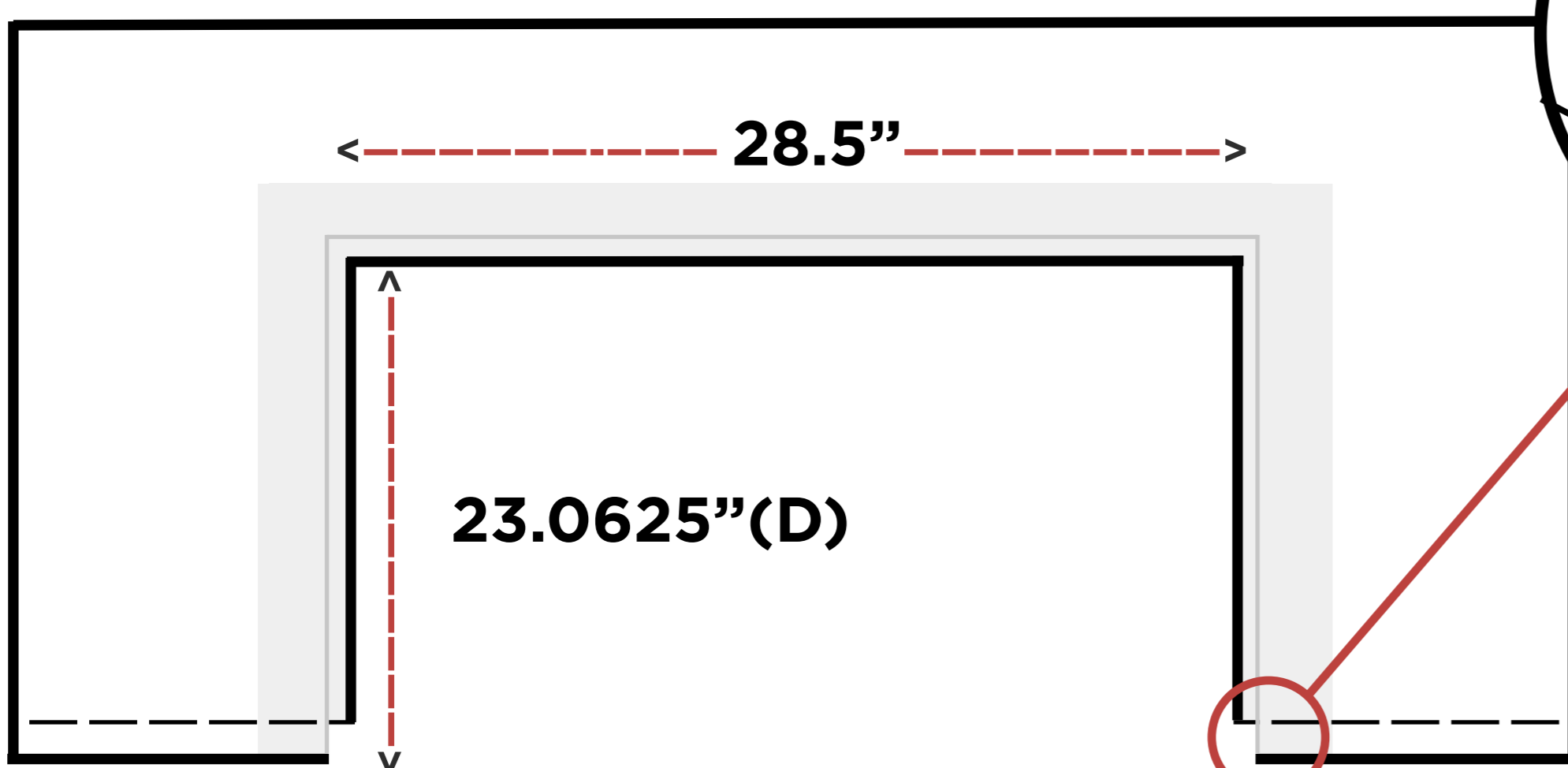
NOTES



Cutout Dimensions **

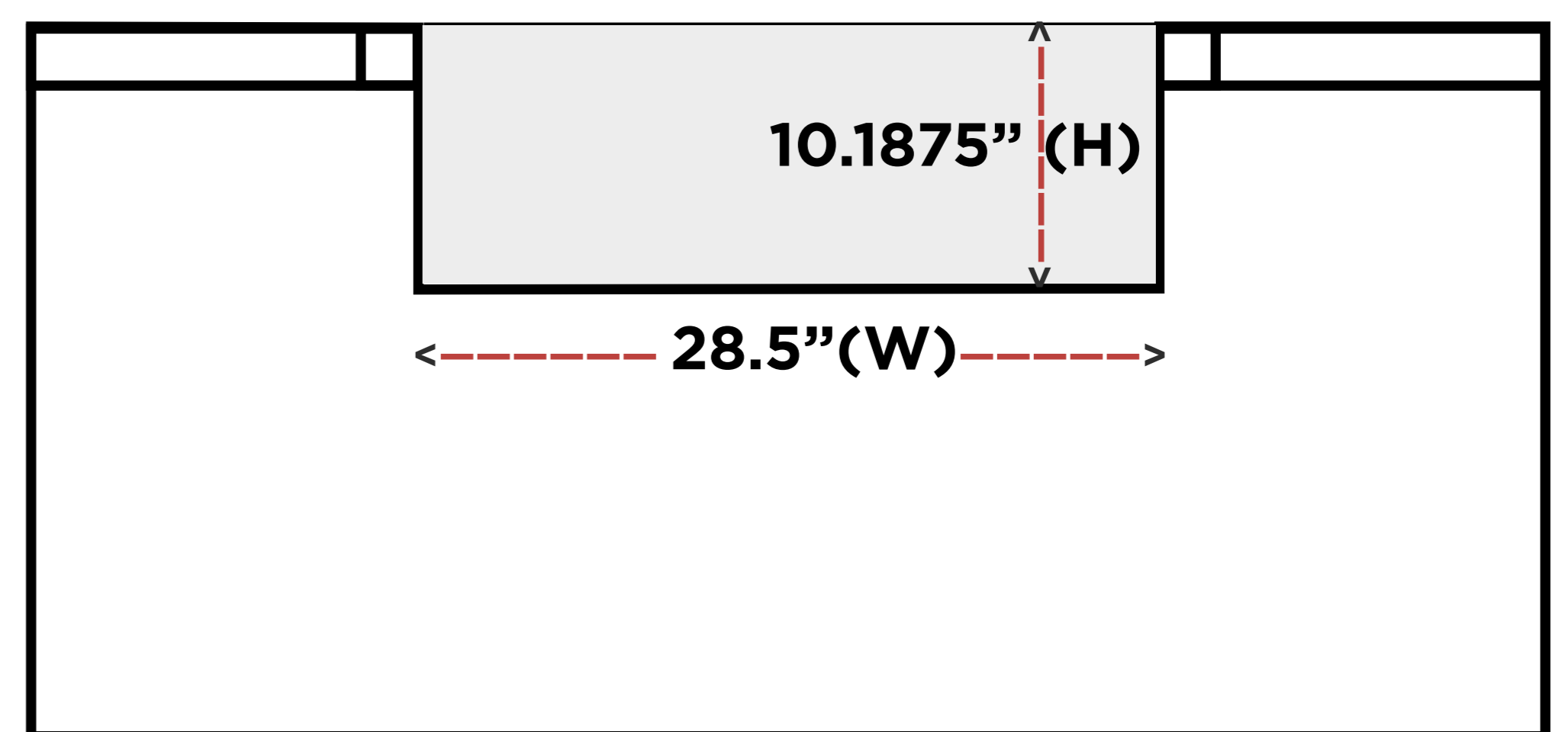
28.5"W x 10.1875"H x 23.0625"D

Island Top View



Countertop Notch
Cutout Dimension

Island Front View



Manufacturer Suggested Cutout Dimensions ()**