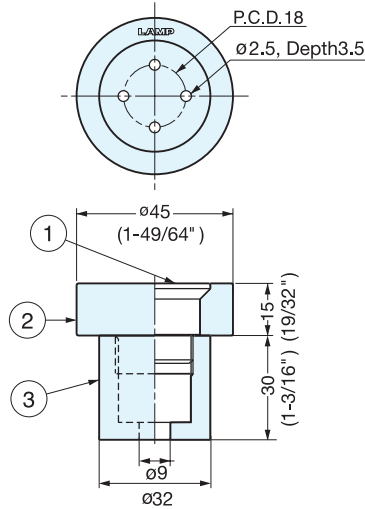


DOOR STOPPER



HT-32P

- Door stopper with a clear acrylic bumper.
- Supplied with stainless steel screw 8 × 50, anchor plug and special wrench.



Item No.	Weight (g)	Box (pc)	Carton (pcs)
HT-32P	320	1	30

No.	Part Name	Material	Finish
①	Face Plate	304 Stainless Steel	Satin
②	Bumper	Soft Acrylic	Clear
③	Post	304 Stainless Steel	Satin

DOOR STOPPER



DSD

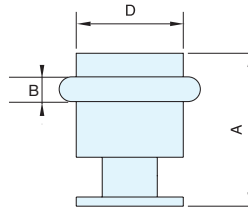
- Supplied with screw and expansion anchor.



DSD-02 Satin
(Floor-Mount Type)



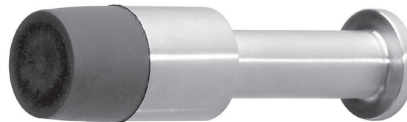
DSD-02 Black
(Floor-Mount Type)



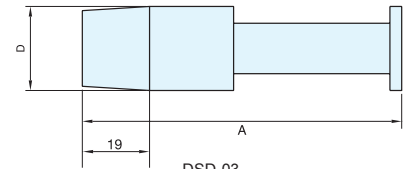
DSD-02



DSD-03 Black (Wall-Mount Type)



DSD-03 Satin (Wall-Mount Type)



DSD-03

Item No.	Finish	D	A	B	Weight (g)	Box (pcs)	Carton (pcs)
DSD-02/S	Satin	20 (25/32")	35 (1-3/8")	4.5 (11/64")	68	25	250
DSD-02/S-BL	Black						
DSD-02/L	Satin	35 (1-3/8")	50 (1-31/32")	7.5 (19/64")	281	10	100
DSD-02/L-BL	Black						
DSD-03/S	Satin	25 (63/64")	65 (2-9/16")	-	147	10	100
DSD-03/S-BL	Black		95 (3-47/64")		187		
DSD-03/M	Satin				125 (4-39/64")		
DSD-03/M-BL	Black						
DSD-03/L	Satin						
DSD-03/L-BL	Black						

Material	Finish
303/304 Stainless Steel	Satin, Black (BL)