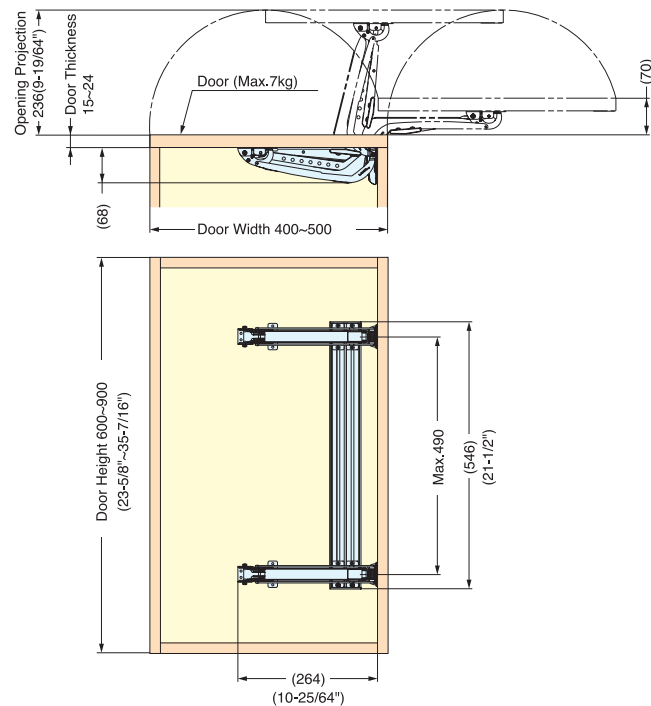
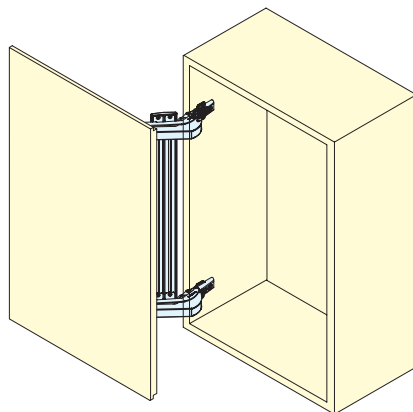


LATERAL OPENING DOOR SYSTEM

LIN-X450

Standard Kit



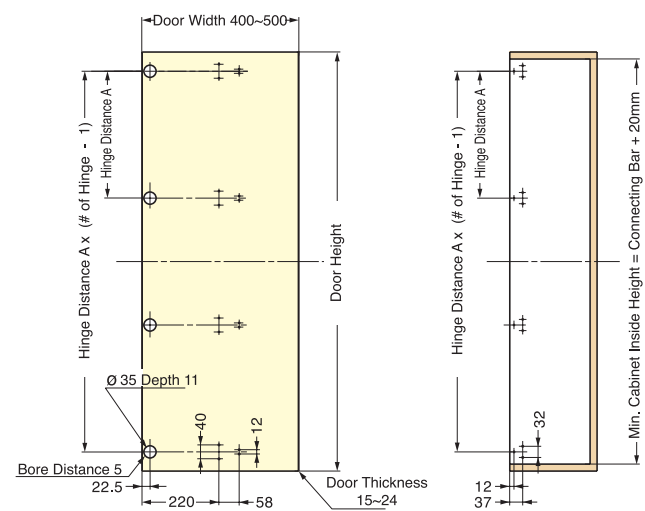
| Item No. | Overlay | Material | Finish |
|------------|----------------|----------------|-----------------|
| LIN-X450 | 19 mm (3/4") | Steel/Aluminum | Nickel/Anodized |
| LIN-X450+5 | 14 mm (35/64") | | |

| | |
|----------------|--------------------------------|
| Door Width | 400~500 mm (15-3/4"~19-11/16") |
| Door Height | 600~900 mm (23-5/8"~35-7/16") |
| Door Thickness | 15~24 mm (5/8"~15/16") |
| Door Weight | Max. 7 kg (15.4 lbs) / Door |

*Can be used on heavier / taller doors by adding hinge arms.
Please see below for details.

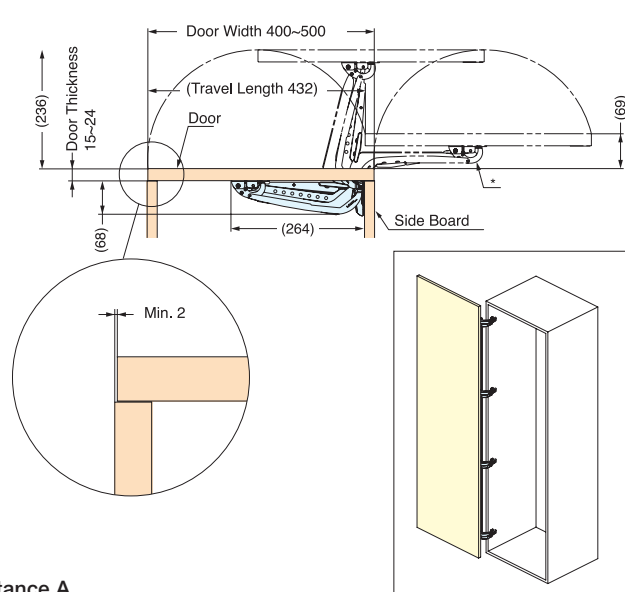
Individual Parts for Tall / Heavy Door

Door Preparation



Hinge in middle should be positioned at or equally distributed from center of door.

Cabinet Preparation



Hinge Distance A

| | |
|----------------|--------------------------------|
| Door Width | 400~500 mm (15-3/4"~19-11/16") |
| Door Height | 600~2400 mm (23-5/8"~94-1/2") |
| Door Thickness | 15~24 mm (5/8"~15/16") |
| Door Weight | Max. 17 kg (37.4 lbs) |

| # of Hinges | Length of Connecting Bar (mm) | | | | | |
|-------------|-------------------------------|-------|--------|-------|-------|-------|
| | 540 | 840 | 1140 | 1440 | 1740 | 2040 |
| 2 pcs | 490.0 | 790.0 | 1090.0 | - | - | - |
| 3 pcs | 245.0 | 395.0 | 545.0 | 695.0 | 845.0 | - |
| 4 pcs | - | 263.3 | 363.3 | 463.3 | 563.3 | 663.3 |
| 5 pcs | - | - | 272.5 | 347.5 | 422.5 | 497.5 |

Individual Parts - Ordering Chart

Ordering Info

Use corresponding letter in below table, and see "Parts Breakdown Table" for parts to be ordered.

| Door Height | Door Weight | | | | Connecting Bar / Cover Cap |
|----------------------------------|---|-----------------------------|----------------------------|------------------------------|--|
| | ~15.5 lbs (~7.0 kg) | 15.6~23.0 lbs (7.1~10.5 kg) | 23.1~31 lbs (10.6~14.0 kg) | 31.1~37.4 lbs (14.1~17.0 kg) | |
| 23-5/8"~35-7/16" (600~900 mm) | LIN-X450 Standard Set Connecting Bar & Cover included | B | | | LIN-X450-L540 1 pc LIN-X450C 2 pcs |
| 35-7/16"~47-1/4" (901~1200 mm) | A | B | C | | LIN-X450-L840 1 pc LIN-X450C 2 pcs |
| 47-1/4"~59-3/64" (1201~1500 mm) | A | B | C | D | LIN-X450-L1140 1 pc LIN-X450C 2 pcs |
| 59-3/64"~70-7/8" (1501~1800 mm) | B | B | C | D | LIN-X450-L1440 1 pc LIN-X450C 2 pcs |
| 70-7/8"~82-11/16" (1801~2100 mm) | B | B | C | D | LIN-X450-L1740 1 pc LIN-X450C 2 pcs |
| 82-11/16"~94-1/2" (2101~2400 mm) | C | C | C | D | LIN-X450-L2040 1 pc LIN-X450C 2 pcs |

Parts Breakdown Table

| Item Number | Description | Image | Qty Required | | | |
|--|--|-------|-----------------|---|---|---|
| | | | A | B | C | D |
| LIN-X450ACD | Single Arm (with Damper) | | 2 | 3 | 3 | 3 |
| LIN-X450A | Single Arm (without Damper) | | - | - | 1 | 2 |
| 230-P4W-32T (for 19 mm overlay) or 230-P4W-32T+5 (for 14 mm overlay) | Mounting Plate *Requires 3 pcs of TAP3515NI Screw 3.5 x 15NI (Sold separately) per Mounting Plate | | 2 | 3 | 4 | 5 |
| LIN-X450-L540 | Connecting Bar L=540 mm | | See table above | | | |
| LIN-X450-L840 | Connecting Bar L=840 mm | | | | | |
| LIN-X450-L1140 | Connecting Bar L=1140 mm | | | | | |
| LIN-X450-L1440 | Connecting Bar L=1440 mm | | | | | |
| LIN-X450-L1740 | Connecting Bar L=1740 mm | | | | | |
| LIN-X450-L2040 | Connecting Bar L=2040 mm | | | | | |
| LIN-X450C | End Cap for Connecting Bar | | 2 | | | |