

LIFT ASSIST DAMPER (W/ANGLE STOPPER)

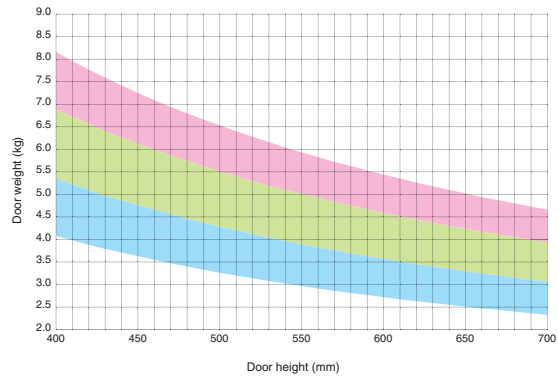
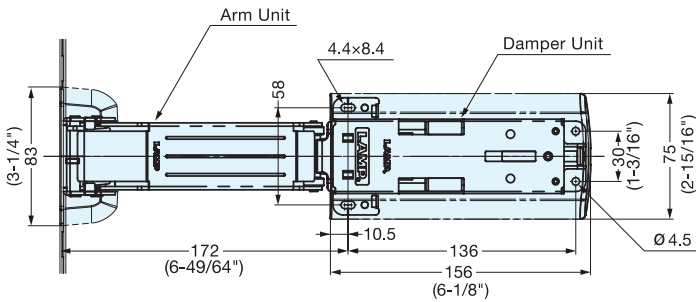
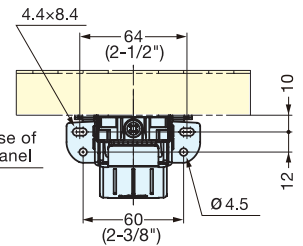
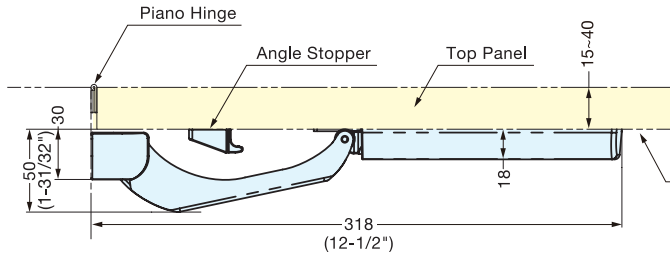
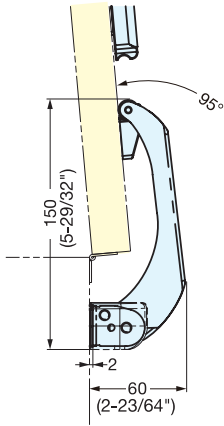
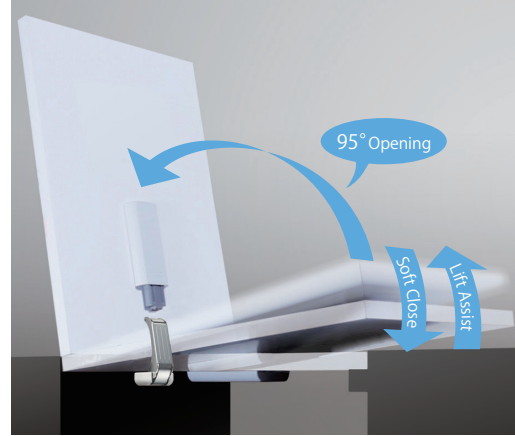


LAD-ST

LID SUPPORTS

LIFT ASSIST DAMPERS (W/ANGLE STOPPER)

- Ideal for bar and countertop applications.
- Angle stopper designed to hold open at 95°.
- Damper equipped for soft closing.
- Simple surface mount installation.
- Brackets, spacers and mounting plate accessories available (sold separately)



Item No.	Max. Torque per piece (kgf·cm)	Panel Thickness	Weight (g)	Carton (pcs)	Material	Finish
LAD-ST-L	81.6~107.1 (70.1 ~ 93.1 lbs-in)	15~40 mm (9/16"~1-9/16")	750	1	ABS/Polyacetal/ Steel/Zinc Alloy	Off White/ Chrome/ Nickel
LAD-ST-M	107.1~137.7 (93.1~119.7 lbs-in)					
LAD-ST-H	137.7~163.2 (119.7~141.9 lbs-in)					