

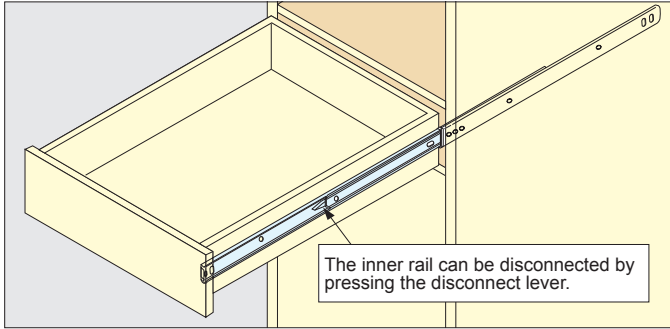
FULL EXTENSION SLIDE



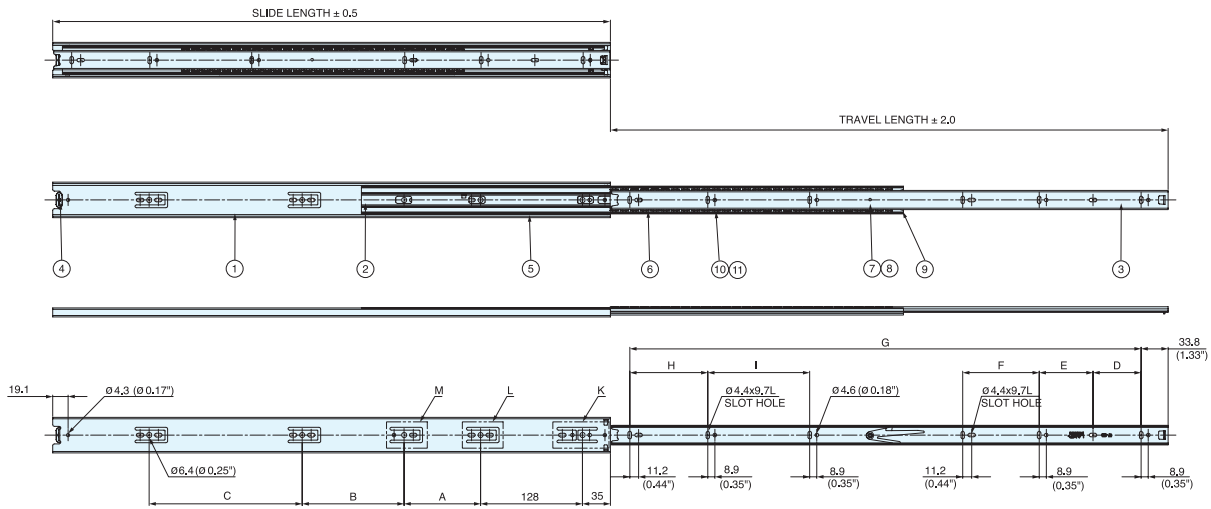
ESR-DC4513

DRAWER SLIDES

STAINLESS STEEL SLIDES

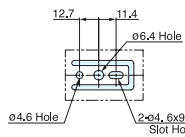


- Full extension.
- Front disconnect.
- Positive stop.
- Hold-in detent.
- Non-handed.
- Sold in pairs.
- Mount with M4 or #8, Binding or Pan head screws.

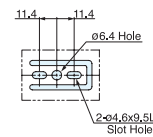


25.4mm=1"

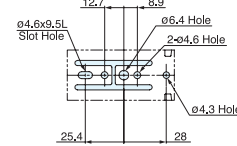
Part Name	Material
Outer Member	304 Stainless Steel
Middle Member	
Inner Member	
Retainer	Polypropylene
Ball Case	304 Stainless Steel
Stopper (Guide)	Nylon 6
Disconnecter	Nylon 66
Rivet	304 Stainless Steel
Stopper	Urethane
Balls	304 Stainless Steel
Lubricant	H1 Grade



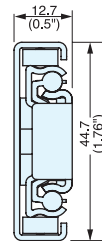
DETAIL M



DETAIL L



DETAIL K



Item No.	Slide Length	Travel Length	A	B	C	D	E	F	G	H	I	Load Rating (kg/pair)	Weight (g)	Box(Pair)
ESR-DC4513-8	200 (7-7/8")	200 (7-7/8")	-	-	-	-	-	-	142	-	-	54 (119 lbs)	447	10
ESR-DC4513-10	250 (9-27/32")	250 (9-27/32")	-	-	-	-	-	-	192	-	-	52 (115 lbs)	603	
ESR-DC4513-12	300 (11-13/16")	300 (11-13/16")	-	-	-	-	-	-	242	-	-	50 (111 lbs)	754	
ESR-DC4513-14	350 (13-25/32")	350 (13-25/32")	-	-	-	-	-	-	292	-	-	49 (108 lbs)	919	
ESR-DC4513-16	400 (15-3/4")	400 (15-3/4")	96	-	-	-	-	-	342	-	-	47 (104 lbs)	1064	
ESR-DC4513-18	450 (17-23/32")	450 (17-23 32")	128	-	-	-	-	-	392	72	-	46 (100 lbs)	1228	
ESR-DC4513-20	500 (19-11/16")	500 (19-11/16")	96	192	-	60.5	-	-	442	122	-	44 (97 lbs)	1373	
ESR-DC4513-22	550 (21-21/32")	550 (21-21/32")	-	-	96	-	-	-	492	76	96	43 (94 lbs)	1528	
ESR-DC4513-24	600 (23-5/8")	600 (23-5/8")	-	128	128	-	-	-	542	126	-	42 (92 lbs)	1687	
ESR-DC4513-26	650 (25-19/32")	650 (25-19/32")	-	-	192	-	-	96	592	48	128	41 (90 lbs)	1854	
ESR-DC4513-28	700 (27-9/16")	700 (27-9/16")	-	-	-	-	-	-	642	98	-	40 (87 lbs)	2020	