

LIFT-ASSIST LID STAY with soft close (top opening)



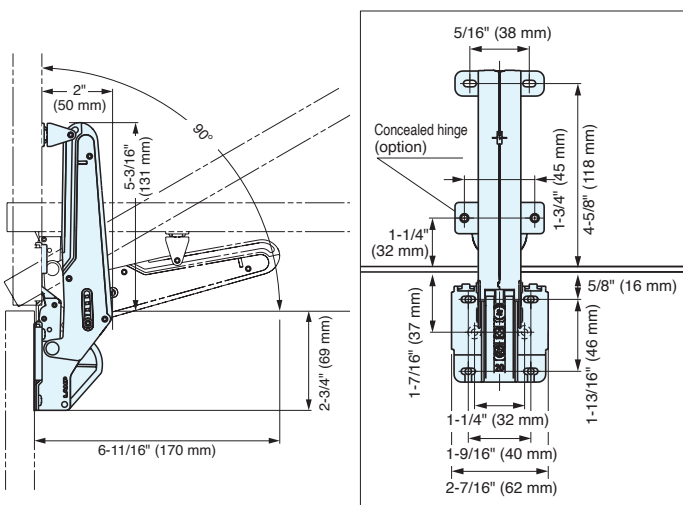
ARN-2

- Smooth door movement. It is specially designed for use with the OLYMPIA concealed hinge (360-D26-19).
- The lift-assist function allows for light opening of doors.
- The free-stop function enables doors to hold in position (30°-Max.).
- The soft-close function makes doors close gently (0°-30° degrees).
- Integrated design combines a concealed hinge and lid stay.
- Closing speed of doors is adjustable.



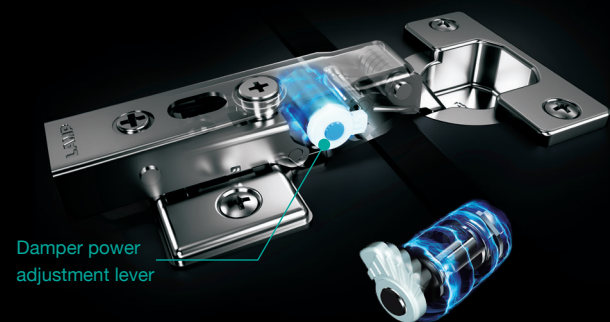
Components for a single door			
	Aileron	1	
	Mounting plate for Aileron	1	
	Olympia Concealed Hinge	2	
	Mounting plate for Olympia	1	
	Screws	16	
	Olympia 8		
	Aileron 6		
	Aileron 2		

Lift-assist	Free stop	Soft close
Allows for light opening of doors	Enables doors to hold in position (30°-Max.).	Built-in damper makes doors close slowly.
Light opening	Holds in position	Gently closing



THE OLYMPIA HINGE

With 5-level damper function, part of the Aileron soft-opening system.



5-speed adjustable soft close. The first Sugatsune concealed hinge ever built with Lapcon technology.



Item No.	Torque (kg·cm)	Weight (g)	Box (pcs)	Carton (pcs)
ARN-2-M-S	40.8~61.2 (35.4~53.1 lbs-in)	703	1	10
ARN-2-H-S	61.2~81.6 (53.1~70.8 lbs-in)			

Material	Finish/Color
Steel, Zinc Alloy	Nickel
Plastic	Grey

LIFT-ASSIST LID STAY with soft close (upward opening)



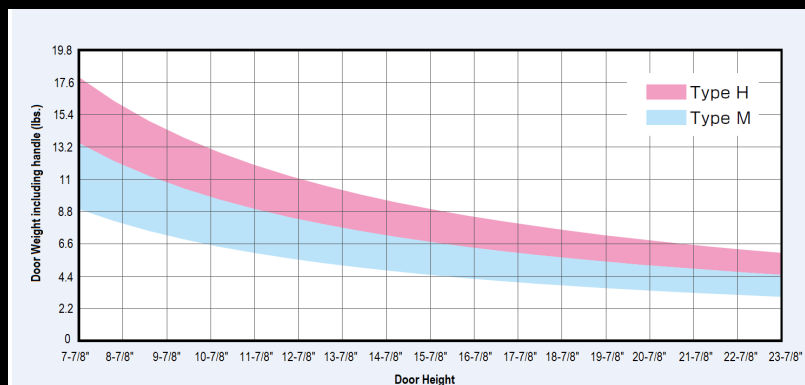
ARN-3

- Smooth door movement. It is specially designed for use with the OLYMPIA concealed hinge (360-D26-19).
- The lift-assist function allows for light opening of doors.
- The free-stop function enables doors to hold in position (30°-Max.).
- The soft-close function makes doors close gently (0°-30° degrees).
- Integrated design combines a concealed hinge and lid stay.
- Closing speed of doors is adjustable.



Lift-assist	Free stop	Soft close
Allows for light opening of doors	Enables doors to hold in position (30°-Max.).	Built-in damper makes doors close slowly.
Light opening	Holds in position	Gently closing

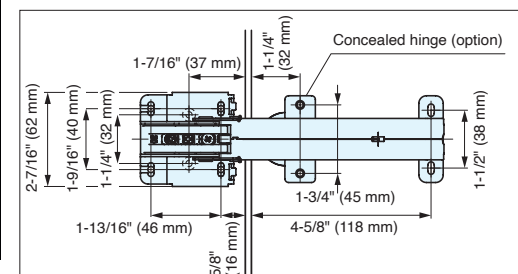
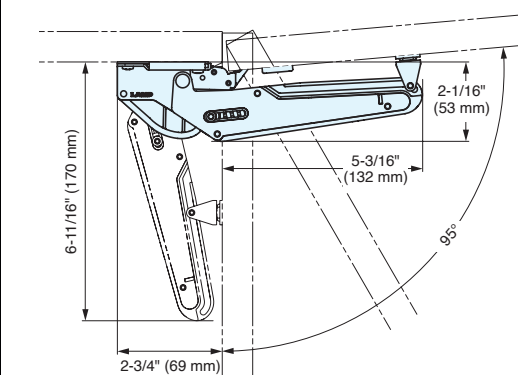
Components for a single door			
	Aileron	1	
	Mounting plate for Aileron	1	
	Olympia Concealed Hinge	2	
	Mounting plate for Olympia	1	
	Screws	16	
	Olympia 8		
	Aileron 6		
	Aileron 2		



Refer to the graph above as a guide for model selection. For use with doors outside of the scope of this graph, use the calculation below. Door weight must include all attached accessories.

Torque (lbs · inch) = Door height (inches) × 0.5 × weight (lbs).

Torque Range (lbs-in)	Type	Number of AILERON
35.4~53.1	M	1 pc
53.1~70.8	H	



Item No.	Torque (kg·cm)	Weight (g)	Box (pcs)	Carton (pcs)
ARN-3-M-S	40.8~61.2 (35.4~53.1 lbs-in)	703	1	10
ARN-3-H-S	61.2~81.6 (53.1~70.8 lbs-in)			

Material	Finish/Color
Steel, Zinc Alloy	Nickel
Plastic	Grey