

MLC SERIES TOUCH LATCH DIGEST

Create a clean, minimalistic space and eliminate the need for handles with a touch latch! The MLC-100 Series is a new generation of non-magnetic touch latches, characterized by a long latch stroke and other special features:

Item No.	MLC-100	MLC-100DS	MLC-HT130
Latch Open/Close Stroke	15/16" (23mm)	15/16" (23mm)	1-9/16" (40mm)
Retaining Force	20.2 lbf (9.2 kgf)	20.2 lbf (9.2 kgf)	26.4 lbf (12 kgf)
Push Force	3.1 lbf (1.4 kgf)	3.1 lbf (1.4 kgf)	3.7 lbf (1.7 kgf)
Comparison Notes	Available in both Black or White	Vertical Adjustable $\pm 3/16"$ (± 4 mm) Horizontal Adjustable $\pm 1/8"$ (± 3.5 mm)	Heat resistant to 248°F (120°C)

Non-magnetic push latches can be used make cabinets resistant to earthquakes or other movement, such as in boat or RV/motorcoach cabins.

TOUCH LATCH

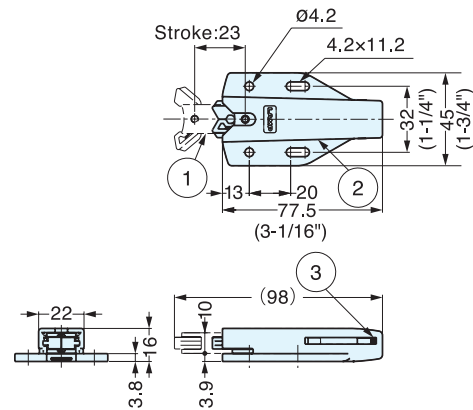
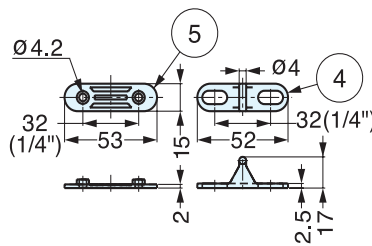
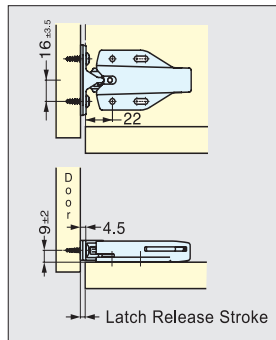


MLC-100



- Self-adjusting strike plate: Vertical ± 2 /Horizontal ± 3.5 mm.
- Long stroke 23 mm (15/16"), for thick doors.
- Push to latch/unlatch.
- Non-magnetic.
- Open/Close cycle test: 100,000 cycles.

Installation

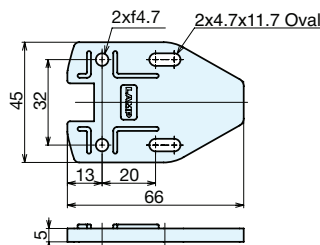


No.	Part Name	Material	Color
①	Body 1	Reinforced Plastic (PA)	White (WT) Black (BL)
②	Body 2	Plastic (PBT)	White (WT) Black (BL)
③	Spring	Steel	Trivalent Chromate
④	Strike	Plastic (POM)	White (WT) Black (BL)
⑤	Counterplate	Plastic (PBT)	White (WT) Black (BL)

MLC SERIES SPACER



MLC-100-DP5-WT



- 3/16" (5mm) spacer for MLC-100 and MLC-100DS.

Item No.	Weight (g)	Box (pcs)	Carton (pcs)	Material	Color
MLC-100-DP5-WT	16	100	500	Plastic (POM)	White