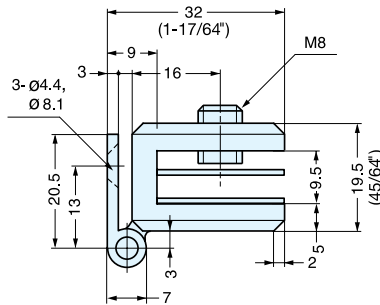


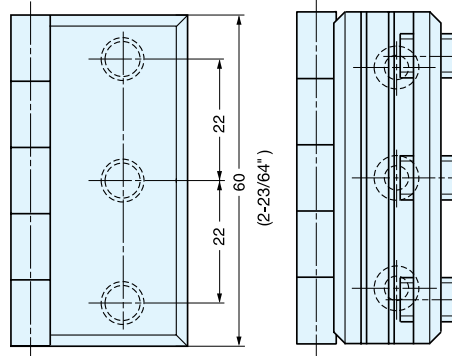
GLASS DOOR HINGE



XL-GH01-600



- Pre-drilling on glass/acrylic not required.
- Door thickness: 4~6 mm
- Door size: Max. W450 × H1300 mm (W17-3/4" × H51-3/16")
- Door Weight: Max. 11 kg/pair (22 lbs/pair)
- Please use 2 spacers for 4 mm door thickness.

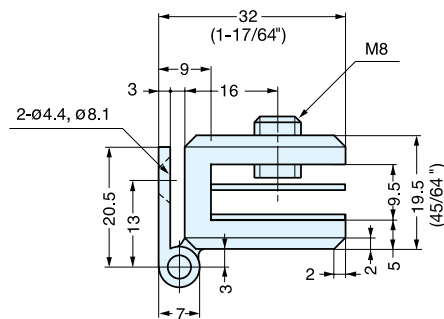


| Item No. | Weight (g) | Box (pcs) | Carton (pcs) | Material | Finish |
|-------------|------------|-----------|--------------|---------------------|----------|
| XL-GH01-600 | 180 | 10 | 50 | 304 Stainless Steel | Polished |

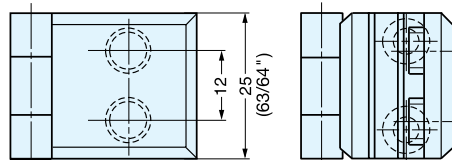
GLASS DOOR HINGE



XL-GH01-250



- Pre-drilling on glass/acrylic not required.
- Door thickness: 4~6 mm
- Door size: Max. W400 × H600 mm (W15-3/4" × H23-5/8")
- Door Weight: Max. 4.8 kg/pair (10.5 lbs/pair)
- Please use 2 spacers for 4 mm door thickness.



| Item No. | Weight (g) | Box (pcs) | Carton (pcs) | Material | Finish |
|-------------|------------|-----------|--------------|---------------------|----------|
| XL-GH01-250 | 76 | 10 | 100 | 304 Stainless Steel | Polished |