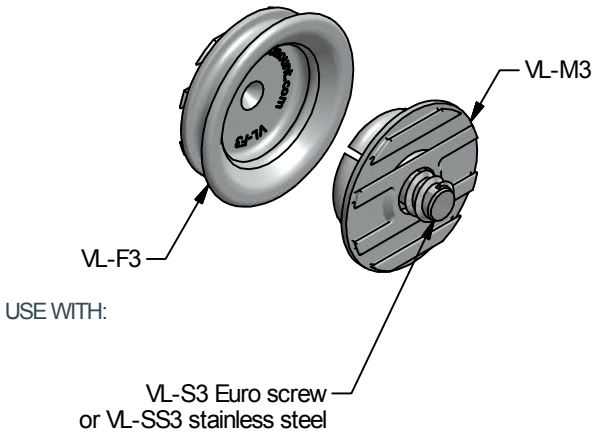


VL-03 Very Low Profile clip set VL F3+M3+S3

INDUSTRY FIT:    

SPECIFICATION:

VERY LOW PROFILE RANGE



The Fastmount™ multi-award winning system has revolutionized the mounting of panels. Panels can easily be removed and refitted in any sequence time after time.

The VL-03 is ideal for mounting ceiling and wall panels in areas with minimal frame and panel thickness. The VL-03 clip set uses the patent pending super-groove system to mechanically engage into adhesive. Screw or adhesive combinations can be used.

BENEFITS

- Self-aligning secure mounting (min. 5kg per clip)
- Installation requires no special tools or skilled labour
- Uses a range of adhesives to suit the customer
- Fast installation
- Clip lead in for easy fitting
- Can be screw fixed with lateral adjustment

APPLICATIONS

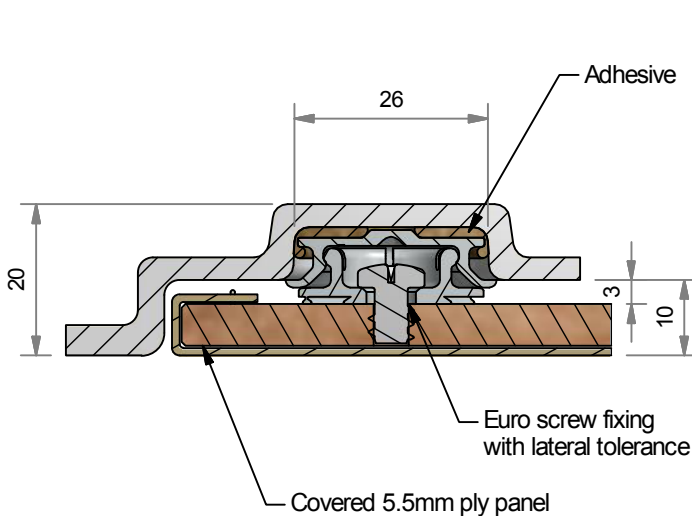
- Mounting 6mm plywood panels with minimal clearance
- Inspection panels
- Soft or honeycomb cored panels with thin facings
- Mounting panels where no drilling is preferred

MATERIAL: Grey acetal copolymer

MORE INFO: Installation Guide IG VL-03, Setout Guide TD-02

INSTALLATION: Partially exploded section through showing typical installation method

Section through showing
Flush Installation into F/Glass Liner



Section through showing
Surface mounted adhesive installation

