

# SOFT-DOWN STAY



# SDS-C100



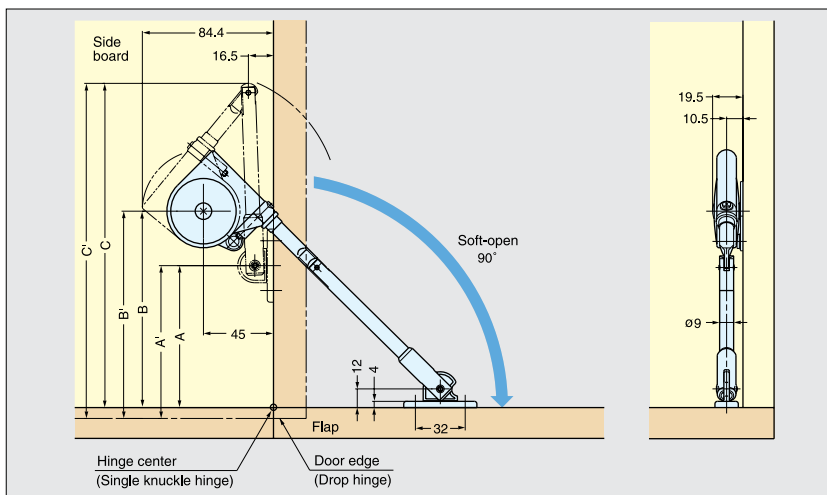
- For DOWNWARD-OPENING FLAP DOOR with piano, butt or drop hinges.
- SDS-C100 (with catch) is designed to hold door in closed position.
- SDS-100 does not have a catch feature. Designed to be used with a magnetic catch or touch latch.
- Non-handed.
- Torque Calculation:  
 $\text{Torque} = \text{Door Height} \times 1/2 \times \text{Door Weight}$   
 Per Piece: 35~50 kg-cm (30~43 lbs-inch)  
 Per Pair: 70~100 kg-cm (60~86 lbs-inch)
- Recommended Door Thickness: 20 mm (25/32")
- Short-arm version SDS-100TV (or C100TV) for smaller door height available (Please see page 298 for details).



White



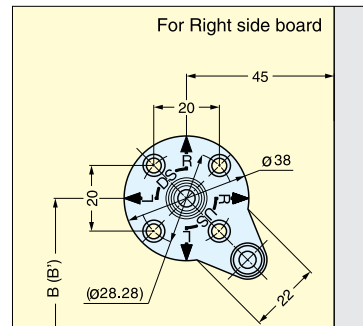
Black



Mounting Plate SDS-A (Included)



Face Frame Bracket: FFCB-SD-1 (Sold separately, see P.317)



Hinge Type	A	A'	B	B'	C	C'
Single Knuckle Hinge	100 (3-15/16")	-	135 (5-5/16")	-	218 (8-37/64")	-
Drop Hinge*	-	107 (4-7/32")	-	142 (5-19/32")	-	225 (8-55/64")

\*Overlay: 16 mm (5/8")

Item No.	Color	Weight (g)	Box (pcs)	Carton (pcs)	Material	Finish/Color
SDS-C100/WHT	White	167	20	100	Steel, Zinc Alloy	Nickel
SDS-C100/BLK	Black				Plastic	Black, White