

# ADJUSTABLE SOFT-DOWN STAY



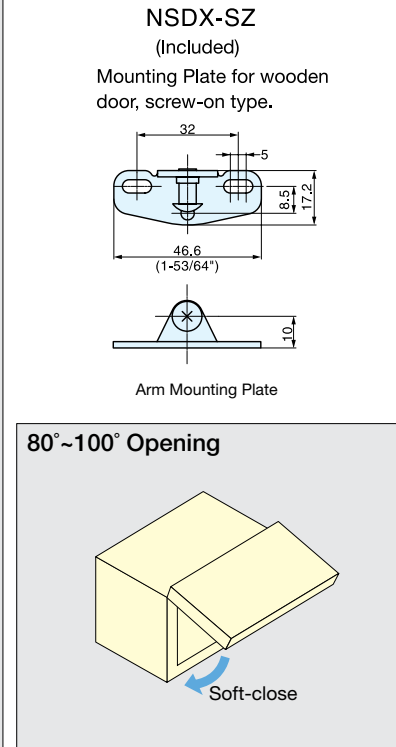
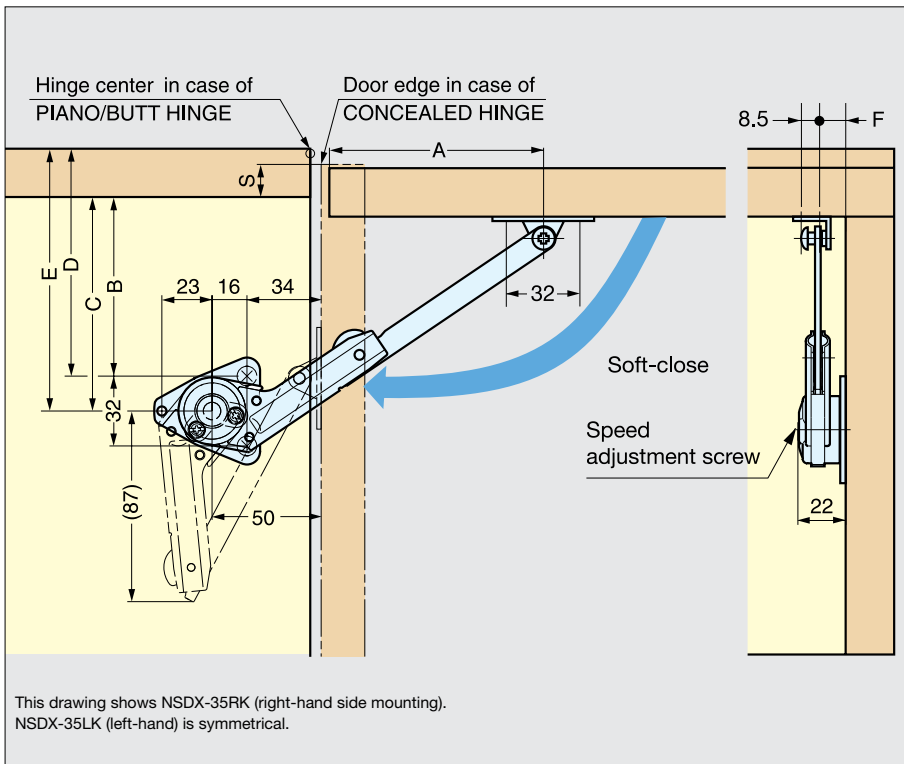
# NSDX-35

LID SUPPORTS

ADJUSTABLE SOFT-DOWN STAY



- For UPWARD-OPENING FLAP DOOR with piano, butt or concealed hinges.
- Opening angle 80°, 90° or 100°.
- NSDX-35 is designed to hold door in fully opened position.
- Speed adjustment screw located on front for easy adjustment.
- Two stop version (holds door at 65° and 90°) is also available.
- Torque Calculation :  
Torque = Door Height x 1/2 x Door Weight  
Per Piece: 20~70 kg-cm (19~60 lbs-inch)  
Per Pair: 40~140 kg-cm (38~120 lbs-inch)



|            |            |           |              |    |
|------------|------------|-----------|--------------|----|
| Material   |            | Finish    |              |    |
| Zinc Alloy |            | Nickel    |              |    |
| Steel      |            |           |              |    |
| Item No.   | Weight (g) | Box (pcs) | Carton (pcs) |    |
| NSDX-35RK  | Right      | 181       | 20           | 80 |
| NSDX-35LK  | Left       |           |              |    |

Note: "S" dimension is the overlay coverage for concealed hinge(s).

| Opening Angle | Hinge Type       | A    | B      | C       | D    | E     | F  |
|---------------|------------------|------|--------|---------|------|-------|----|
| 80°           | Concealed Hinge  | 106  | 105 -S | 121 -S  | -    | -     | 11 |
|               | Piano/Butt Hinge | 100  | -      | -       | 99   | 115   |    |
| 90°           | Concealed Hinge  | 98   | 97 -S  | 113 -S  | -    | -     |    |
|               | Piano/Butt Hinge | 91.5 | -      | -       | 90.5 | 106.5 |    |
| 100°          | Concealed Hinge  | 92.5 | 91.5-S | 107.5-S | -    | -     |    |
|               | Piano/Butt Hinge | 85   | -      | -       | 84   | 100   |    |