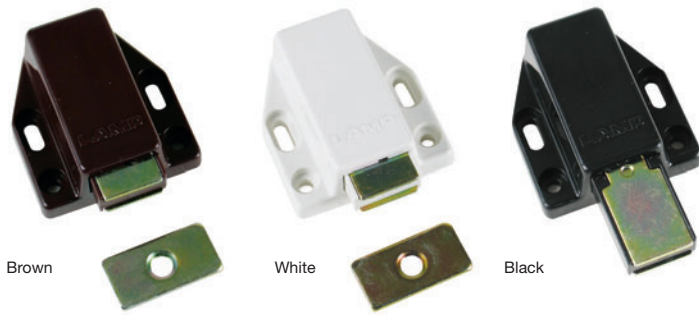


MAGNETIC TOUCH LATCH



ML-80

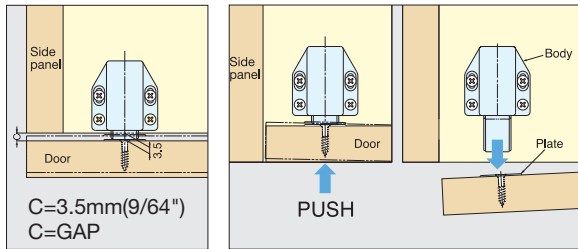


Brown

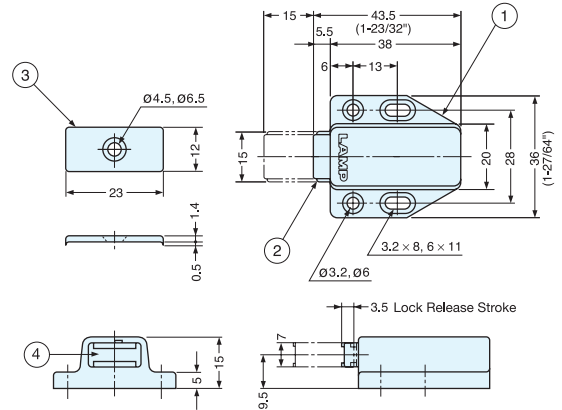
White

Black

- Push to open/close.
- Note: For overlay door, allow a 3.5mm (9/64") gap between door and cabinet frame for pushing space.



Installation



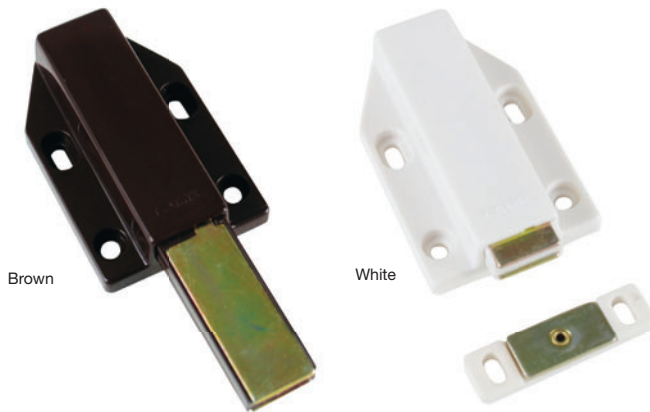
Item No.	Magnetic Force (kg)	Weight (g)	Box (pcs)	Carton (pcs)
ML-80/WHT	1.6 (3.5 lbs)	22	20	400
ML-80/BRN				
ML-80/BLK				

No.	Part Name	Material	Finish/Color
①	Body	ABS	White, Brown, Black
②	Latch	Steel	Yellow Zinc Chromate
③	Counterplate		
④	Magnet	Ferrite	-

MAGNETIC TOUCH LATCH (LONG STROKE)



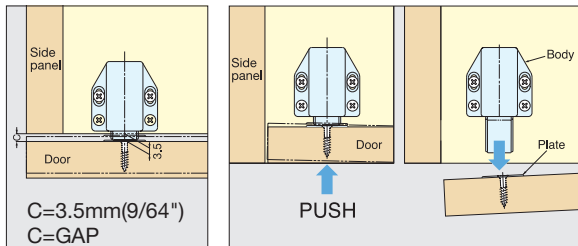
ML-120



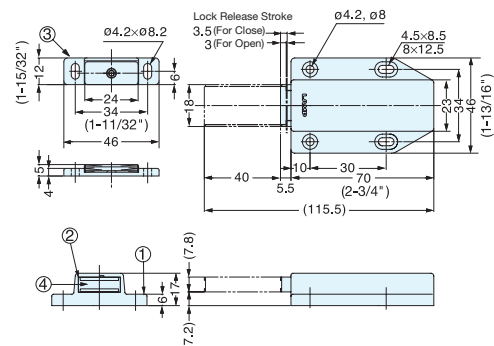
Brown

White

- Long stroke for medium size door.
- Push to open/close.
- Note: For overlay door, allow a 3.5mm (9/64") gap between door and cabinet frame for pushing space.



Installation



Item No.	Magnetic Force (kg)	Weight (g)	Box (pcs)	Carton (pcs)
ML-120/WHT	2.4 (5.2 lbs)	53	20	200
ML-120/BRN				

No.	Part Name	Material	Finish/Color
①	Body	ABS	White, Brown
②	Latch	Steel	Yellow Zinc Chromate
③	Counterplate		
④	Magnet	Ferrite	-