

LID STAY

TEST 15
P.590

LOAD CAPACITY
15 kg
33 lbs

NO SCREW

STAINLESS 304 STEEL

L-195, 270

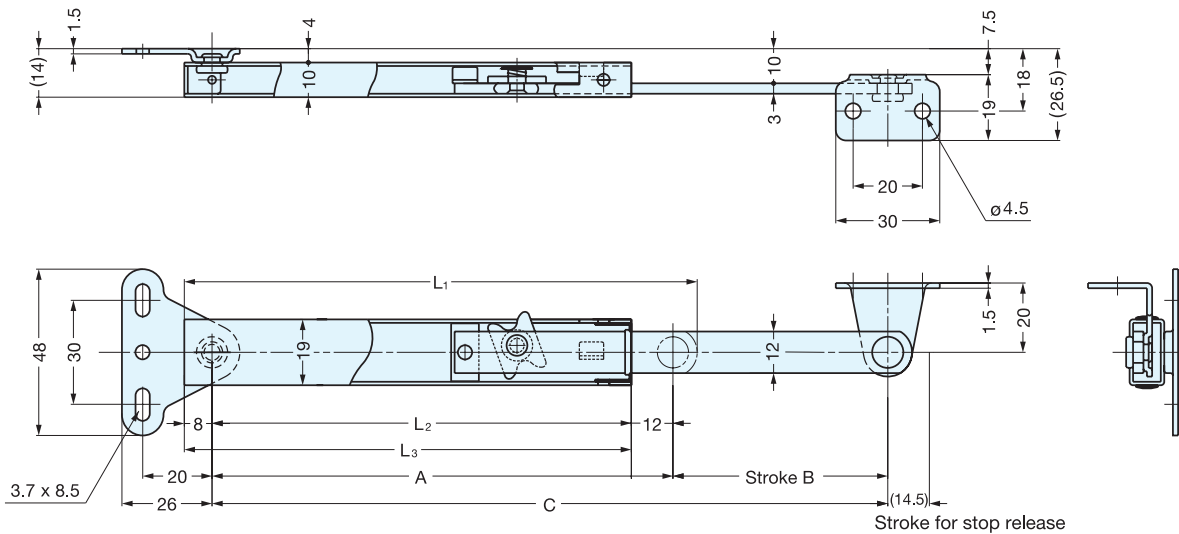
- Holds lid or panel in fully opened position.
- Lift up lid to release.
- Non-handed
- Only one stay per lid required.
- Load Capacity: 15 kg (33 lbs) /each



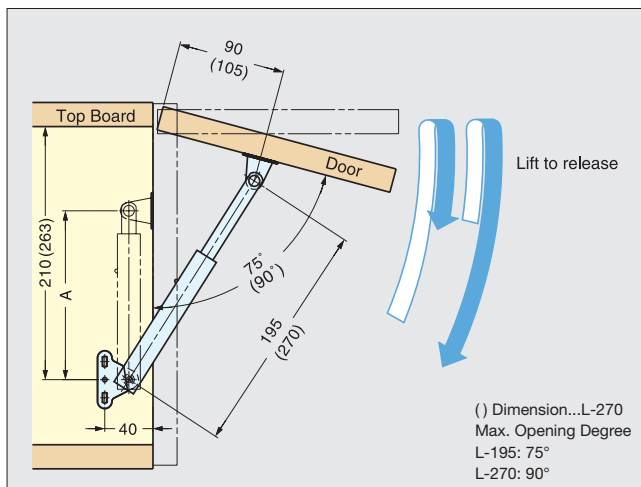
L-195



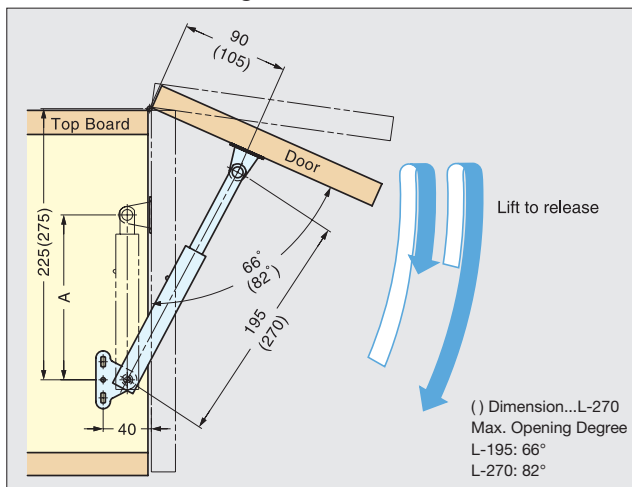
L-270



With Concealed Hinge



With Piano / Butt Hinge



*Lid stay must be installed parallel to the sidewall.

Material	Finish
304 Stainless Steel	Satin

Item No.	L ₁	L ₂	L ₃	(A)	(B)	C	Door Height (mm)	Weight (g)	Box (pcs)	Carton (pcs)
L-195	148 (5-53/64")	121	129	133 (5-15/64")	62	195 (7-43/64")	250~350 (9-27/32"~13-25/32")	125	10	100
L-270	185 (7-9/32")	158	166	170 (6-11/16")	100	270 (10-5/8")	320~500 (12-19/32"~19-11/16")	150		