

LAMP® Sliding Door Latch, Model HC-30L_{PAT.P}, Installation Manual

Model HC-30HL (with indicator)_{PAT.P}

For safe and correct operation of the products, read this manual carefully and follow the direction given in it to correctly install it.

⚠ After the product is installed, hand this manual over to the user, who should keep it for later consultation.

Parts composition

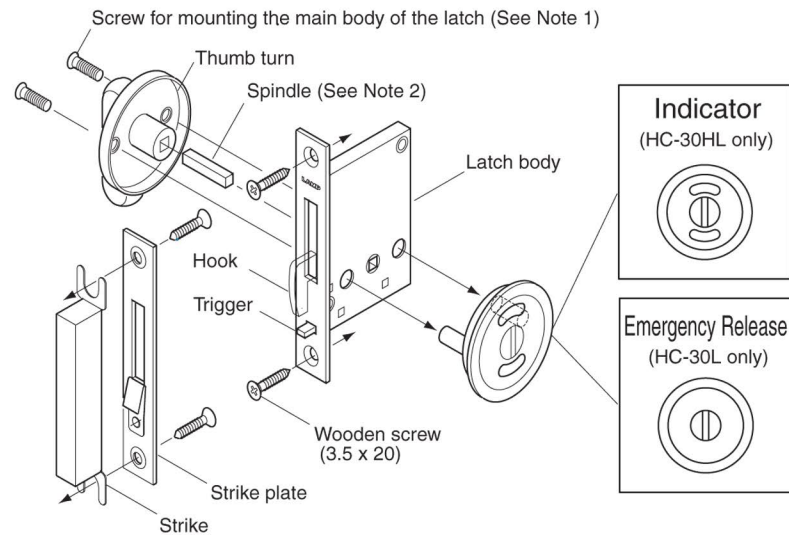
Check that the package contains each items correctly.

Note 1: Three sizes of mounting screws are included. Select a proper size of screw to fit the thickness of your door.

- For door thickness 28~32 mm: Screw length 22mm
- For door thickness 33~36 mm: Screw length 27mm
- For door thickness 37~40 mm: Screw length 32mm

Note 2: Three lengths of Spindle are included. Select a proper length of Spindle to fit the thickness of your door.

- For door thickness 28~31 mm: Screw length 23mm
- For door thickness 32~36 mm: Screw length 27mm
- For door thickness 37~40 mm: Screw length 32mm

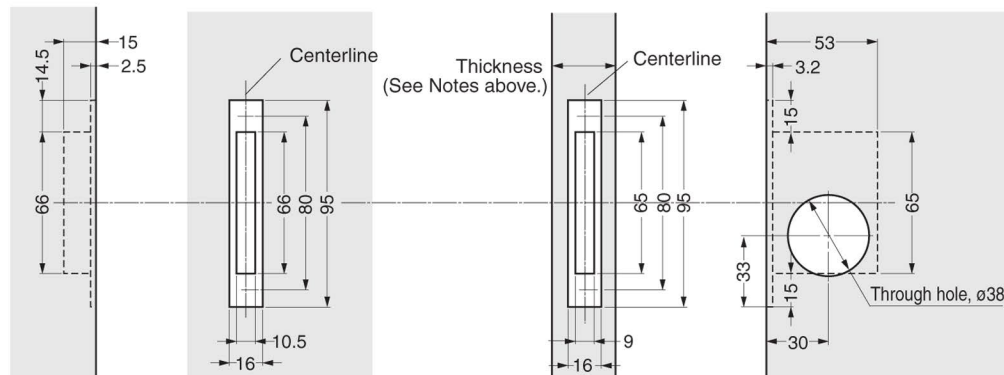


Drawing for notch working

Refer the below drawings for your notch working correctly.

Strike and Strike plate (Sash side)

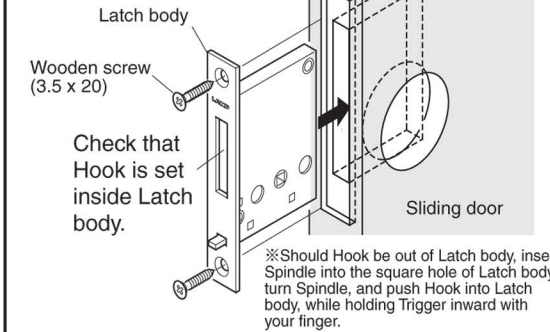
Latch body (Sliding door side)



Installing procedures

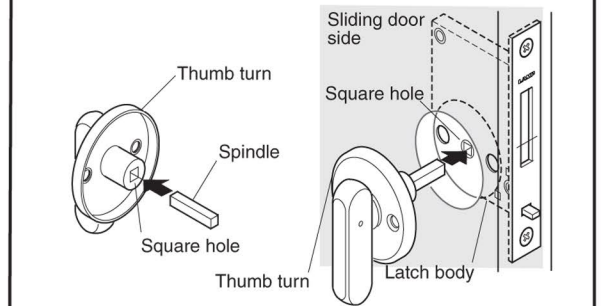
(日) Mounting Latch body

Mount Latch body onto the sliding door with Wooden screws (3.5 x 20).



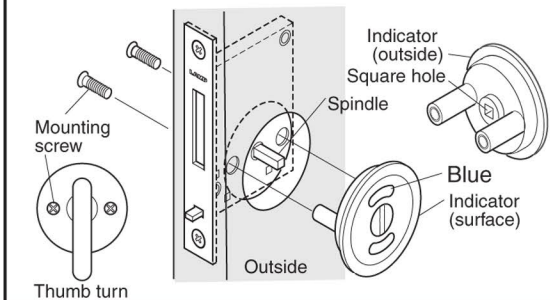
(月) Mounting Thumb turn and Spindle

Insert Spindle into the square hole of Thumb turn. Then, insert the pin into the square hole of Latch body to mount Thumb turn itself on Latch body. (Keep the knob of Thumb turn at vertical position.)



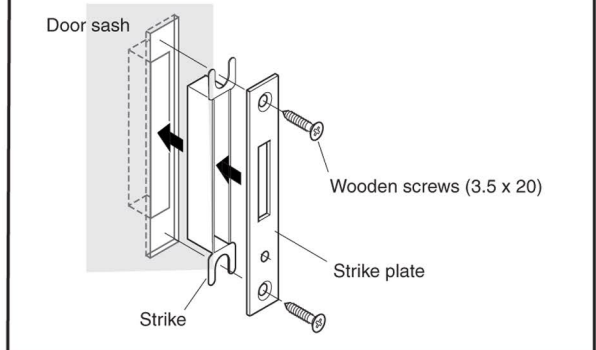
(火) Mounting Indicator / Emergency Release

Insert Spindle into Indicator or Emergency Release from outside (Set the color of Indicator to "blue"). Fix Indicator or Emergency Release using mounting screws



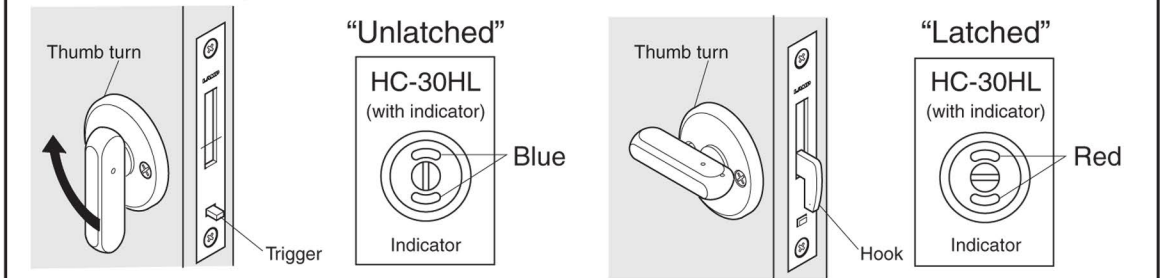
(水) Strike and Strike plate

Set the seat and the plate into the notched hole of door sash with Wooden screws (3.5 x 20).



Checking the operation of Latch

- Turn the knob of Thumb turn 90° in the direction of ARROW showing, while depressing Trigger with your finger. If Hook comes out smoothly, you have installed Sliding door latch correctly.
- In case of model HC-30HL (type with Indicator), make sure the color of Indicator changes from "blue" to "red", or vice versa. Indicator "blue" shows an unlatched status and Indicator "red" shows an latched status. If the showing color does not meet this manual specification, return to Step (火) and mount Indicator again.



SUGATSUNE KOGYO CO., LTD.

1-8-11 HigashiKanda, Chiyoda-ku,
Tokyo 101-8633, Japan
TEL:+81(0)3-3866-2260 FAX:+81(0)3-3866-4447
http://www.sugatsune-intl.com
E-mail : export@sugatsune.co.jp
ISO9001(JSAQ384) ISO14001(JSAE597) CERTIFICATE.



For North American Customers SUGATSUNE AMERICA, INC.

221 East Selandia Lane,
Carson, CA 90746, U.S.A.
TEL:+1-310-329-6373 FAX:+1-310-329-0819
TOLL FREE:(800) 562-5267 (from U.S.A only)
http://www.sugatsune.com
E-mail : sales@sugatsune.com