



Designer Series Wine Storage

Use and Care Guide

CLEANING, MAINTENANCE,
AND MORE



Contents

3	Designer Series Wine Storage
4	Safety Precautions
6	Designer Series Wine Storage Features
7	Touch Controls
9	Storage
11	Product Operation
12	Care Recommendations
13	Troubleshooting
15	Sub-Zero Warranty

Customer Care

The model and serial number are printed on the enclosed product registration card. Both numbers are also listed on the product rating plate. Refer to page 6 for rating plate location. For warranty purposes, you will also need the date of installation and name of your authorized Sub-Zero dealer. Record this information below for future reference.

SERVICE INFORMATION

Model Number	_____
Serial Number	_____
Date of Installation	_____
Certified Service Name	_____
Certified Service Number	_____
Authorized Dealer	_____
Dealer Number	_____

If your product ever needs attention, be sure to use a Sub-Zero Factory Certified Service provider recommended by our Customer Care Center, or select one from our list of providers available at subzero.com/locator. All Factory Certified Service providers are carefully selected and thoroughly trained by us.

Important Note

To ensure this product is installed and operated as safely and efficiently as possible, take note of the following types of highlighted information throughout this guide:

IMPORTANT NOTE highlights information that is especially important.

⚠ CAUTION

Indicates a situation where minor injury or product damage may occur if instructions are not followed.

⚠ WARNING

States a hazard that may cause serious injury or death if precautions are not followed.

IMPORTANT NOTE: Throughout this guide, dimensions in parentheses are millimeters unless otherwise specified.

IMPORTANT INSTRUCTIONS

▲ WARNING

Do not store explosive substances such as aerosol cans with a flammable propellant in this appliance.

▲ WARNING

Keep ventilation openings, in the appliance enclosure or in the built-in structure, clear of obstruction.

▲ WARNING

Do not use mechanical devices or other means to accelerate the defrosting process, other than those recommended by the manufacturer.


▲ WARNING

Do not expose this appliance to rain.

▲ WARNING

This appliance is only intended for residential use.

▲ WARNING

- This appliance contains flammable refrigerant and must be handled, installed, serviced, and decommissioned by authorized personnel. Once decommissioned, consult local authorities for disposal instructions.
- To minimize the risk of ignition due to improper installation, replacement parts, or service procedures, only refrigeration technicians with flammable refrigerant training who are aware of the dangers of dealing with high voltage electricity and refrigerant under pressure are allowed to work on this equipment.
- Do not damage the refrigeration circuit when installing, maintaining, or servicing the unit.
-  This symbol indicates risk of fire/flammable materials.

▲ CAUTION

Incorporated ice makers must be installed by the manufacturer or its service agent.

▲ WARNING

Do not use electrical appliances inside the food storage compartments of the appliance, unless they are of the type recommended by the manufacturer.

IMPORTANT INSTRUCTIONS

▲ WARNING

This appliance is not intended for use by persons (including children) with reduced physical, sensory or mental capabilities, or lack of experience and knowledge, unless they have been given supervision or instruction concerning use of the appliance by a person responsible for their safety. Children should be supervised to ensure they do not play with the appliance.

▲ WARNING

DANGER: Risk of child entrapment. Before you throw away your old refrigerator or freezer:

- Take off the doors.
- Leave the shelves and drawer dividers in place so that children may not easily climb inside.

▲ WARNING

PROPOSITION 65 FOR CALIFORNIA RESIDENTS

Cancer and Reproductive Harm—
www.P65Warnings.ca.gov

This appliance is intended to be used in household and similar applications such as:

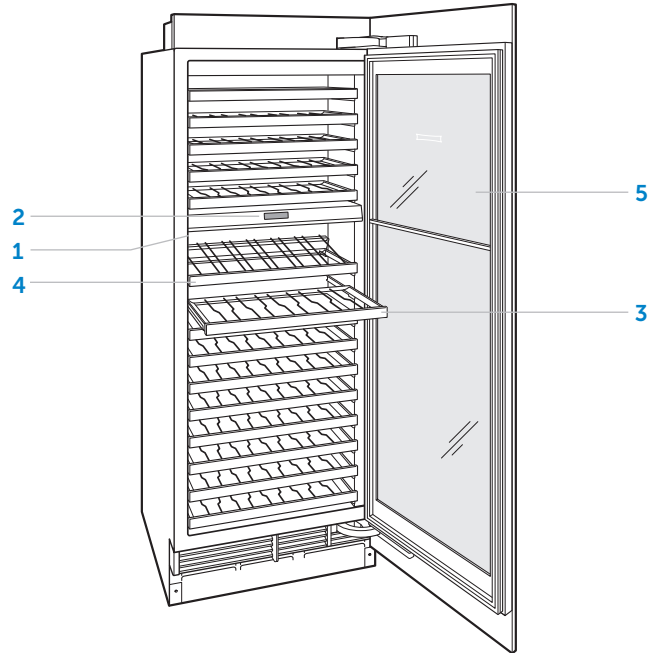
- staff kitchen areas in shops, offices, and other working environments
- farm houses and by clients in hotels, motels, and other residential type environments
- bed and breakfast type environments
- catering and similar non-retail applications

Designer Series Wine Storage Features

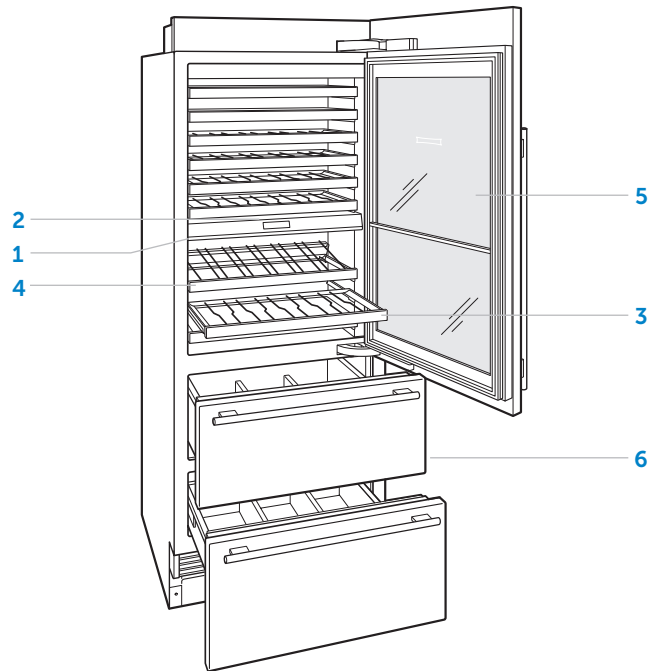
FEATURES

- | | |
|---|-------------------------------|
| 1 | Product Rating Plate |
| 2 | Touch Control Panel |
| 3 | Wine Storage Racks |
| 4 | Display Rack |
| 5 | Full-View Glass Door |
| 6 | Refrigerator Storage Drawers* |

*Not available on all models.



Column model



Tall model

Touch Control Panel

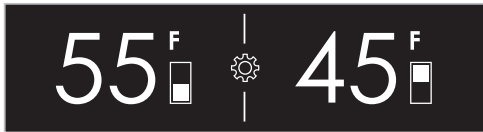
For initial start-up, touch and hold ⓘ on the control panel for 2 seconds.

The temperature can be adjusted in one-degree increments on the home screen. The temperature on the left of the display represents the lower zone and the temperature on the right represents the upper.

To adjust temperature:

- 1 Touch the temperature to be adjusted.
- 2 Touch + or – until the desired temperature is displayed. Refer to the illustration below.

To adjust additional settings, touch ⚙ on the control panel. Refer to the illustration below.



Home screen

SETTINGS

ⓘ	Turn the unit on or off
💡	Turn accent lighting on or off and adjust brightness and select soft on duration
🔔	Turn door alarm on or off and adjust duration
🗄	Adjust drawer temperature*
📶	Turn connect on or off (if applicable)
★	Turn Sabbath on or off
°C/°F	Adjust temperature units
🔊	Adjust door alarm volume and tone
🌐	Select language
ⓘ	System information
🔧	View troubleshooting and service information

*Not available on all models.

Connect This Appliance

Connect this appliance to remotely monitor and control it. Connecting requires a wireless router, an Internet connection with a network name and password, and a compatible mobile device. There is no limit to the number of appliances you can connect to an account. Connect products from multiple homes to the same account. Connecting appliances is optional.

Connect today to:

- Receive alerts, status updates, and routine maintenance notifications.
- Streamline everyday tasks with the help of remote controls and voice commands.
- Quickly access user manuals and cleaning and maintenance tips.

To connect:

- 1 Download the free Sub-Zero Group Owner's App from the Apple App Store or Google Play.
- 2 With Bluetooth® enabled on the device, stand within a few feet of the appliance, open the app, and follow the on-screen instructions.
- 3 Log in or create an account.
- 4 Tap Add An Appliance to add appliances. To identify which appliance to pair, open the appliance door.
- 5 Tap + next to the appliance to select it. If identical appliances appear, follow the additional step on the screen to identify which appliance to pair.
- 6 Tap Pair Via Bluetooth®. Wait for setup to complete, then tap Set Up Your Appliance For Pairing.
- 7 Tap Choose a Network on the Connect Your Appliance to Wi-Fi screen.
- 8 Select the home Wi-Fi network and enter the network password.
- 9 Tap Turn on Notifications to allow notifications about the appliance (for example, door left ajar).
- 10 Tap Done on the Success screen to complete the setup.

Wine Storage

WINE RACKS

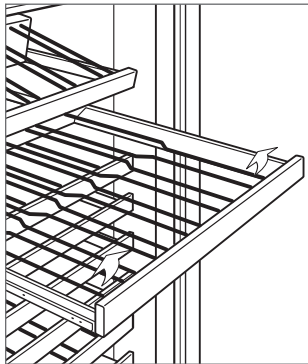
The full-extension wine racks provide easy access to 750 ml bottles, half-bottles, and magnums. When storing magnums, the rack above must be removed.

To remove a wine rack, pull out to full extension, tilt up, then lift up and out. Refer to the illustration below. The top two racks in each compartment cannot be placed in any other position. These racks can be identified by the small square cutout located in the right rear corner. Refer to the illustration below.

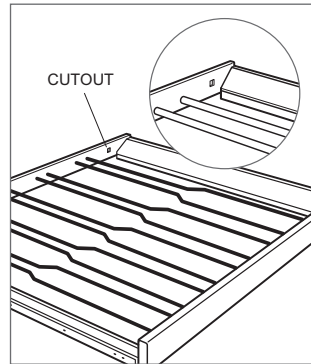
The natural cherrywood facing on wine racks can be stained or replaced with wood to complement cabinetry. For more information, refer to the Sub-Zero Design Guide, visit our website at subzero.com, or contact Sub-Zero Customer Care at 800-222-7820.

⚠ CAUTION

Remove all bottles from the wine rack before removal.



Wine rack removal



Rack position indicator

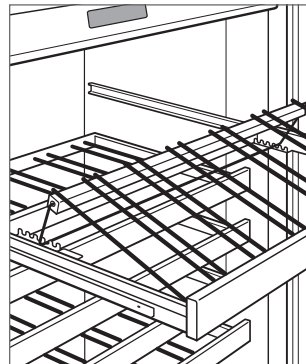
DISPLAY RACK

The adjustable display rack is designed for wine to stay in contact with the cork at any position. Refer to the illustration below.

To remove the display rack, pull out to full extension, tilt up, then lift up and out.

⚠ CAUTION

Remove all bottles from the display rack before removal.



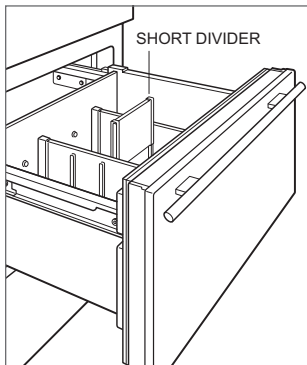
Display rack

Storage Drawers

DRAWER DIVIDERS (TALL MODEL)

To reposition a drawer divider:

- 1 To remove a short divider, flex the long divider slightly, then pull upward. Refer to the illustration below.
- 2 One long divider in the top drawer is adjustable. To remove a long divider, all short dividers must be removed. Pull the long divider up until it stops, rotate counterclockwise, then pull upward.
- 3 To install a long divider, align the grooves with the drawer tabs, rotate clockwise, then slide down.
- 4 To install a short divider, position as desired, then slide down.

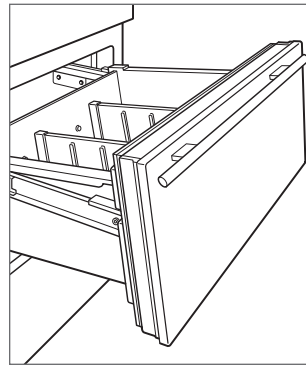


Drawer dividers

DRAWER REMOVAL (TALL MODEL)

To remove/install a storage drawer:

- 1 To remove, pull the drawer open until it stops. Raise the front of the drawer slightly and pull straight out. Refer to the illustration below.
- 2 To install, raise the front of drawer and place onto the slides. Align the back of the drawer with hooks on the slide, then align the white pegs at the front of the slide with holes at the front of the drawer.



Drawer removal

Sabbath

This appliance is certified by Star-K to meet strict religious regulations in conjunction with specific instructions found on www.star-k.org.

Sabbath mode automatically turns on the interior lights at a reduced brightness. The lights stay on when the door is closed. The lights cannot be turned off in Sabbath mode.

Sabbath mode automatically turns off after 74 hours. All lighting preferences return to the previous setting when Sabbath mode is turned off.

To turn on Sabbath:

- 1 Touch .
- 2 Touch and hold  for 3 seconds

To turn off Sabbath:

- 1 Touch and hold  for up to 10 seconds.

Cleaning

STAINLESS STEEL EXTERIOR

Use a nonabrasive stainless steel cleaner and apply with a soft lint-free cloth. To bring out the natural luster, lightly wipe the surface with a water-dampened microfiber cloth followed by a dry polishing chamois. Always follow the grain of stainless steel.

INTERIOR CLEANING

To clean interior surfaces and all removable parts, wash with a mild solution of soap, water and baking soda. Rinse and dry thoroughly. Avoid getting water on the lights, control panel, and cherrywood facing on wine racks.

Use a standard glass cleaner to clean the UV-resistant glass door.

⚠ CAUTION

Do not use vinegar, rubbing alcohol, or other alcohol-based cleaners on any interior surface.

CONDENSER CLEANING

⚠ CAUTION

Before cleaning the condenser, turn power off at the control panel. Wear gloves to avoid injury from sharp condenser fins.

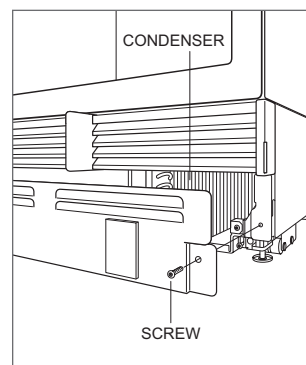
The condenser is located behind the kickplate. Clean the condenser every 6–12 months.

To clean the condenser:

- 1 Turn power off at the control panel.
- 2 Remove the kickplate by extracting the two mounting screws. Refer to the illustration below.
- 3 Use a soft bristle brush and vacuum to remove dust and lint from the condenser.

⚠ CAUTION

Failure to clean the condenser could result in temperature loss, mechanical failure, or damage.



Condenser location

Troubleshooting

Before contacting Sub-Zero Factory Certified Service, visit subzero-wolf.com/assistance or use these helpful tips to prevent the need for a service visit.

UNIT OPERATION

No lights or cooling.

- 1 Verify power is on.
- 2 Verify electrical power to the unit and home circuit breaker is on.

No lights.

- 1 The door may have been left ajar, which has disabled lights to eliminate excess heat. If the lights are out, close the door for one hour. If the lights are still out, contact Sub-Zero Factory Certified Service.
- 2 LED interior lighting must be replaced by Sub-Zero Factory Certified Service.

Condensation forms inside the unit.

- 1 Verify the condenser is clean.
- 2 Verify the door is closing properly.
- 3 Verify the door has not been left ajar.
- 4 Verify the door gasket does not have rips or tears. If it does, contact Sub-Zero Factory Certified Service.

High temperatures, the unit runs excessively, or the unit is giving off too much heat.

- 1 Verify the condenser is clean.
- 2 Verify the door is closing properly.
- 3 Verify the door has not been left ajar.
- 4 Increased ambient temperatures may cause the compressor to run longer.
- 5 If the temperature display shows 55° and 45°, but is not cooling, the unit may be in Showroom Mode. Contact Sub-Zero Customer Care at 800-222-7820.

ODOR

- 1 Clean the unit before using for the first time. This will clear any odors that may have been trapped during shipping.

Service

- Maintain the quality built into your product by contacting Sub-Zero Factory Certified Service. For the name of the nearest Sub-Zero Factory Certified Service, check the Product Support section of our website, subzero.com or call Sub-Zero Customer Care at 800-222-7820.
- When contacting service, you will need the model and serial number of your unit. Both numbers are listed on the product rating plate. Refer to page 6 for rating plate location.
- For warranty purposes, you will also need the date of installation and name of your authorized Sub-Zero dealer. This information should be recorded on page 3.

Sub-Zero Residential Limited Warranty

FOR RESIDENTIAL USE

FULL TWO YEAR WARRANTY*

For two years from the date of original installation, this Sub-Zero product warranty covers all parts and labor to repair or replace, under normal residential use, any part of the product that proves to be defective in materials or workmanship. All service provided by Sub-Zero under the above warranty must be performed by Sub-Zero Factory Certified Service, unless otherwise specified by Sub-Zero, Inc. Service will be provided during normal business hours.

FULL FIVE YEAR SEALED SYSTEM WARRANTY

For five years from the date of original installation, this Sub-Zero product warranty covers all parts and labor to repair or replace, under normal residential use, these parts that prove to be defective in materials or workmanship: compressor, condenser, evaporator, drier and all connecting tubing. All service provided by Sub-Zero under the above warranty must be performed by Sub-Zero Factory Certified Service, unless otherwise specified by Sub-Zero, Inc. Service will be provided during normal business hours.

LIMITED TWELVE YEAR SEALED SYSTEM WARRANTY

For twelve years from the date of original installation, Sub-Zero will repair or replace the following parts that prove to be defective in materials or workmanship: compressor, condenser, evaporator, drier and all connecting tubing. If the owner uses Sub-Zero Factory Certified Service, the service provider will repair or replace these parts with the owner paying for all other costs, including labor. If the owner uses non-certified service, the owner must contact Sub-Zero, Inc. (using the information below) to receive repaired or replacement parts. Sub-Zero will not reimburse the owner for parts purchased from non-certified service or other sources.

TERMS APPLICABLE TO EACH WARRANTY

The warranty applies only to products installed for normal residential use. The warranty applies only to products installed in any one of the fifty states of the United States, the District of Columbia or the ten provinces of Canada. This warranty does not cover any parts or labor to correct any defect caused by negligence, accident or improper use, maintenance, installation, service or repair.

THE REMEDIES DESCRIBED ABOVE FOR EACH WARRANTY ARE THE ONLY ONES THAT SUB-ZERO, INC. WILL PROVIDE, EITHER UNDER THIS WARRANTY OR UNDER ANY WARRANTY ARISING BY OPERATION OF LAW. SUB-ZERO, INC. WILL NOT BE RESPONSIBLE FOR ANY CONSEQUENTIAL OR INCIDENTAL DAMAGES ARISING FROM THE BREACH OF THIS WARRANTY OR ANY OTHER WARRANTY, WHETHER EXPRESS, IMPLIED OR STATUTORY.

Some states do not allow the exclusion or limitation of incidental or consequential damages, so the above limitation or exclusion may not apply to you. This warranty gives you specific legal rights and you may also have other legal rights that vary from state to state.

To receive parts and/or service and the name of Sub-Zero Factory Certified Service nearest you, contact Sub-Zero, Inc., P.O. Box 44848, Madison, WI 53744; check the Product Support section of our website, subzero.com, email us at customerservice@subzero.com, or call 800-222-7820.

*Stainless steel (doors, panels, handles, product frames and interior surfaces) are covered by a limited 60-day parts and labor warranty for cosmetic defects.

*Replacement water filters and air purification cartridges are not covered by the product warranty.



Contenido

- 3** Almacenamiento de vinos de la serie diseñador
- 4** Precauciones de seguridad
- 6** Funciones de la unidad para almacenamiento de vinos
- 7** Controles táctiles
- 9** Almacenamiento
- 11** Funcionamiento del producto
- 12** Recomendaciones para el cuidado
- 13** Resolución de problemas
- 15** Garantía de Sub-Zero

Atención al cliente

El modelo y número de serie están impresos en la tarjeta de registro del producto adjunta. Ambos números también aparecen en la placa de datos del producto. Consulte la página 6 para encontrar la placa de datos. Para fines de la garantía, también necesitará la fecha de instalación y el nombre de su distribuidor autorizado de Sub-Zero. Guarde la siguiente información para futuras referencias.

INFORMACIÓN DE SERVICIO

Número de modelo

Número de serie

Fecha de la instalación

Nombre de servicio certificado

Número de servicio certificado

Distribuidor autorizado

Número de distribuidor

Si su producto alguna vez necesita servicio, use un proveedor de servicios certificado por Sub-Zero y recomendado por nuestro centro de atención al cliente, o seleccione uno de nuestra lista de proveedores disponibles en subzero.com/locator. Nosotros seleccionamos y capacitamos cuidadosamente a todos los proveedores de servicios certificados de fábrica.

Aviso importante

Para garantizar que este producto se instale y opere de la forma más segura y eficiente posible, tome nota de los siguientes tipos de información resaltada en este manual:

AVISO IMPORTANTE señala la información que es especialmente importante.

⚠ PRECAUCIÓN

Indica una situación en la que se pueden sufrir heridas leves o provocar daños al producto si no se siguen las instrucciones.

⚠ ADVERTENCIA

Indica peligro de que se produzcan heridas graves o incluso la muerte si no se siguen las precauciones.

AVISO IMPORTANTE: En toda esta guía, las dimensiones entre paréntesis son milímetros, a menos que se especifique lo contrario.

INSTRUCCIONES IMPORTANTES

▲ ADVERTENCIA

No almacene sustancias explosivas, tales como latas de aerosol con un propulsor inflamable en este electrodoméstico.

▲ ADVERTENCIA

Mantenga las aberturas de ventilación despejadas, en el revestimiento del electrodoméstico o en la estructura empotrada, sin obstrucciones.

▲ ADVERTENCIA

No utilice dispositivos mecánicos u otros medios para acelerar el proceso de descongelación, salvo los recomendados por el fabricante.


▲ ADVERTENCIA

No exponga el electrodoméstico a la lluvia.

▲ ADVERTENCIA

Este electrodoméstico es exclusivamente para uso residencial.

▲ ADVERTENCIA

- Este aparato contiene refrigerante inflamable y debe ser manipulado, instalado, reparado y retirado del servicio por personal autorizado. Una vez desmantelado, consulte a las autoridades locales para obtener instrucciones de deshecho.
- Para minimizar el riesgo de ignición debido a una instalación, piezas de repuesto o procedimientos de servicio inadecuados, sólo se permite trabajar en este equipo a los técnicos en refrigeración con formación en refrigerantes inflamables que sean conscientes de los peligros de tratar con electricidad de alto voltaje y refrigerante bajo presión.
- No dañe el circuito de refrigeración al instalar, mantener o reparar la unidad.
-  Este símbolo indica riesgo de incendio/ material ignífugo.

▲ PRECAUCIÓN

Los fabricantes de hielo incorporados deben ser instalados por el fabricante o su agente de servicio.

▲ ADVERTENCIA

No utilice aparatos eléctricos dentro de los compartimentos de almacenamiento de alimentos del electrodoméstico, a menos que sean del tipo recomendado por el fabricante.

INSTRUCCIONES IMPORTANTES

▲ ADVERTENCIA

Este electrodoméstico no está indicado para que lo usen personas con capacidades físicas, sensoriales o mentales reducidas o que carezcan de experiencia o conocimiento, a menos que una persona responsable de su seguridad los supervise o le haya dado instrucciones sobre el uso del electrodoméstico. Se debe supervisar a los niños para asegurarse de que no jueguen con el electrodoméstico.

▲ ADVERTENCIA

PELIGRO: Riesgo de atrapamiento de un niño. Antes de que se deshaga de su refrigerador o congelador viejo:

- Retire las puertas.
- Deje los estantes y divisores de cajones en su lugar para que los niños no se metan dentro fácilmente.

▲ ADVERTENCIA

PROPOSICIÓN 65 PARA LOS RESIDENTES DE CALIFORNIA

Cáncer y daño reproductivo:
www.P65Warnings.ca.gov

Este electrodoméstico es de uso doméstico y similares como:

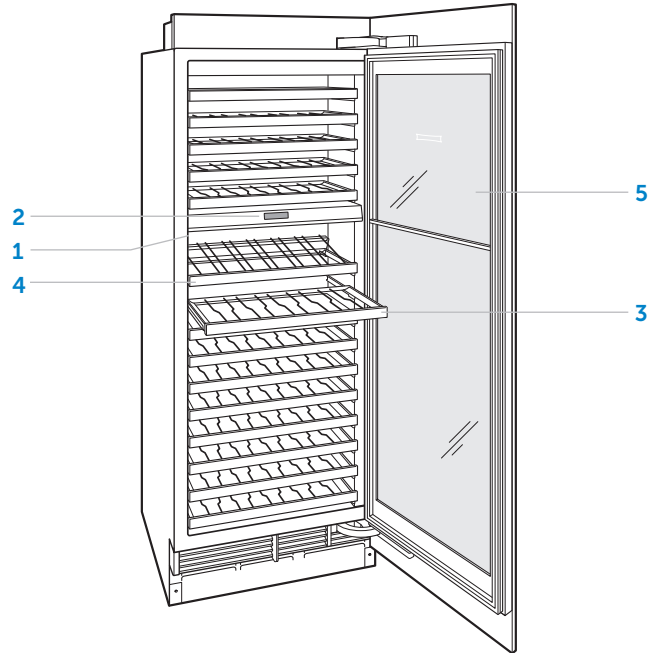
- áreas de cocina del personal en fábricas, oficinas y otros entornos laborales
- granjas y por clientes en hoteles, moteles y otros entornos residenciales
- ambientes tipo hostel o posada
- provisión de comida y aplicaciones similares que no sean de venta minorista

Funciones de la unidad para almacenamiento de vinos

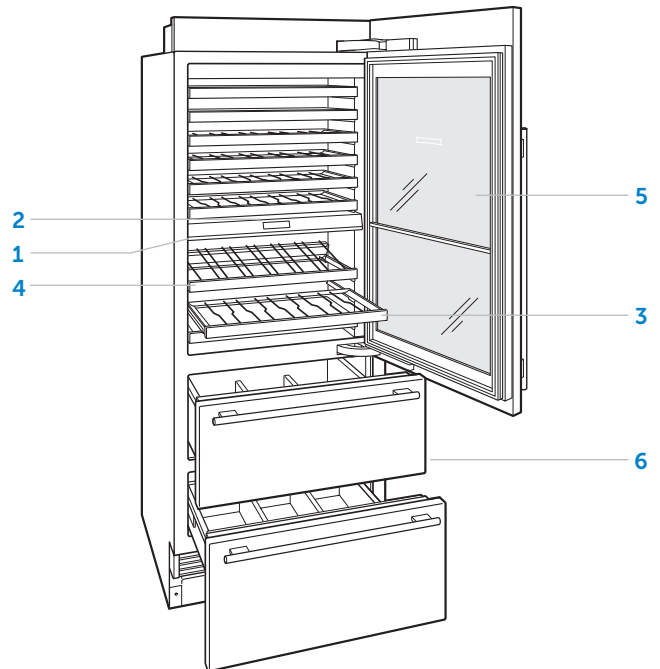
CARACTERÍSTICAS

- | | |
|---|--|
| 1 | Placa de datos del producto |
| 2 | Panel de control táctil |
| 3 | Estantes para almacenamiento de vinos |
| 4 | Estante para exhibición. |
| 5 | Puerta de cristal de vista completa |
| 6 | Cajóns de almacenamiento del refrigerador* |

*No está disponible en todos en modelos.



Modelo de columna



Modelo alto

Panel de control táctil

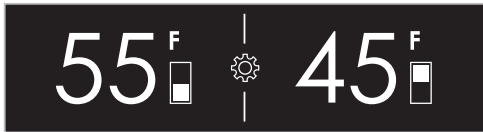
Para la puesta en marcha inicial, mantenga pulsado ⓘ en el panel de control durante 2 segundos.

La temperatura se puede ajustar en incrementos de un grado en la pantalla de inicio. La temperatura al lado izquierdo de la pantalla representa la zona inferior y la temperatura a la derecha representa la zona superior.

Para ajustar la temperatura:

- 1 Pulse la temperatura para ajustarla.
- 2 Pulse + o – hasta que muestre la temperatura deseada. Consulte la siguiente ilustración.

Para ajustar configuraciones adicionales, toque ⚙ en el panel de control. Consulte la siguiente ilustración.



Pantalla de inicio

CONFIGURACIÓN

- ⓘ Enciende o apaga la unidad
- 💡 Enciende o apaga la luz de acento y ajusta el brillo y selecciona suave en duración
- 🔔 Enciende o apaga la alarma y fija duración
- 📄 Ajuste la temperatura del cajón*
- 📶 Activa conectarse o desconectarse (si corresponde)
- ★ Activa o desactiva el modo Sabbath
- °C/°F Ajusta las unidades de temperatura
- 🔊 Ajusta el volumen y el tono de la alarma
- 🌐 Selecciona el idioma
- ⓘ Servicio de información
- 🔧 Vea cómo solucionar problemas y la información del servicio técnico

*No está disponible en todos en modelos.

Cómo conectar este electrodoméstico

Conecte este electrodoméstico para monitorearlo y controlarlo remotamente. Para conectarlo se requiere un enrutador inalámbrico, una conexión a Internet con un nombre de la red y una contraseña, y un dispositivo móvil compatible. No hay límite para el número de electrodomésticos que usted puede conectar a una cuenta. Conecte los productos de múltiples hogares a la misma cuenta. Conectar los electrodomésticos es opcional.

Conéctese hoy mismo para:

- Recibir alertas, actualizaciones de estado y notificaciones de mantenimiento rutinario.
- Disponga las tareas diarias con la ayuda de controles remotos y comandos de voz.
- Acceda fácilmente a manuales de usuario y consejos sobre limpieza y mantenimiento.

Para conectar:

- 1 Descargue la aplicación gratuita Sub-Zero Group Owner de Apple App Store o Google Play.
- 2 Active la función de Bluetooth en el dispositivo, ubíquese a poca distancia del electrodoméstico, abra la aplicación y siga las instrucciones de la pantalla.
- 3 Inicie sesión o cree una cuenta.
- 4 Pulse Add An Appliance (Agregar un electrodoméstico) para agregar electrodomésticos. Para identificar cuál electrodoméstico emparejar, abra la puerta del electrodoméstico,
- 5 Pulse + al lado del electrodoméstico para seleccionarlo. Si aparecen electrodomésticos idénticos, siga el paso adicional en pantalla para identificar cuál electrodoméstico emparejar.
- 6 Pulse Pair Via Bluetooth® (emparejar por medio de Bluetooth). Espere hasta que se complete la configuración, y luego pulse Set Up Your Appliance For Pairing (Configurar su electrodoméstico para emparejamiento).
- 7 Pulse Choose a Network (Elegir una red) en la pantalla Connect Your Appliance to Wi-Fi (Conectar su electrodoméstico a Wi-Fi).
- 8 Seleccione la red de Wi-Fi de la casa e introduzca la contraseña de la red.
- 9 Pulse Turn on Notifications (Activar notificaciones) para permitir las notificaciones sobre el electrodoméstico (por ejemplo, door left ajar (puerta parcialmente abierta)).
- 10 Pulse Done (Listo) en la pantalla Success (Éxito) para completar la configuración.

Almacenamiento de vinos

ESTANTES PARA VINO

Los estantes de extensión completa permiten un fácil acceso a botellas de 750 ml, medias botellas y magnas. Cuando se almacenen botellas magnas (dobles) se debe retirar el estante superior.

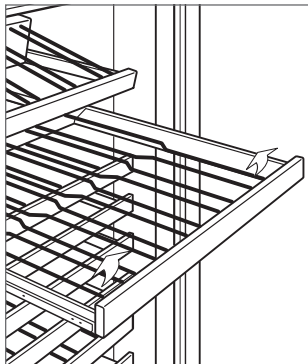
Para retirar un estante para almacenar vinos, extiéndalo completamente, inclínelo hacia arriba, luego levántelo hacia arriba y hacia fuera. Consulte la siguiente ilustración.

Los dos estantes superiores en el compartimento superior y el estante superior (los dos superiores para el modelo alto) en el compartimento inferior no se pueden colocar en ninguna otra posición. Estos estantes se pueden identificar por el pequeño recorte cuadrado ubicado en la esquina trasera derecha. Consulte la siguiente ilustración.

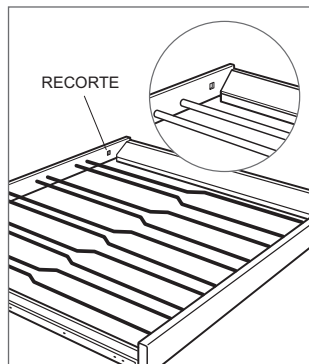
El revestimiento de madera de cerezo en los estantes para almacenar vinos se puede reemplazar con madera para complementar los gabinetes. Para más información, consulte la guía de diseños de Sub-Zero, visite nuestra página de Internet en subzero.com o comuníquese con la línea de atención al cliente de Sub-Zero al 800-222-7820.

⚠ PRECAUCIÓN

Retire todas las botellas del estante para almacenar vinos antes de quitar el estante.



Retiro del estante para vinos



Indicador de posición de la rejilla

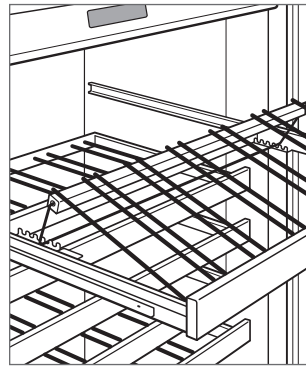
ESTANTE PARA EXHIBICIÓN

El estante de exhibición ajustable está diseñado para que el vino esté en contacto con el corcho en cualquier posición. Consulte la siguiente ilustración.

Para retirar el estante de exhibición, extiéndalo completamente, inclínelo hacia arriba, luego levántelo hacia arriba y hacia fuera.

⚠ PRECAUCIÓN

Retire todas las botellas del estante de exhibición antes de quitar el estante.



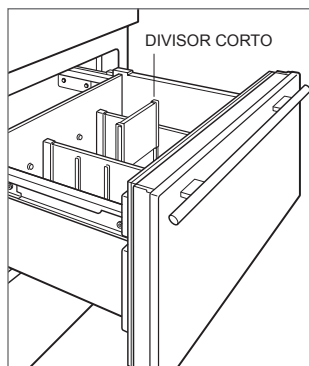
Estante para exhibición

Cajones de almacenamiento

DIVISORES DE CAJONES (MODELO ALTO)

Para reposicionar un divisor de cajones:

- 1 Para extraer un divisor corto, flexione un poco el divisor largo, luego jálelo hacia arriba. Consulte la siguiente ilustración.
- 2 Un divisor largo en el cajón superior es ajustable. Para extraer un divisor largo, debe extraer los divisores cortos. Jale el divisor hacia arriba hasta que llegue al tope, gire en sentido opuesto a las manecillas del reloj y jálelo hacia arriba.
- 3 Para instalar un divisor largo, alinee las ranuras con las pestañas del cajón, gire en el sentido de las agujas del reloj y luego deslícelo hacia abajo.
- 4 Para instalar un divisor corto, colóquelo como lo desee, luego bajar deslizándose.

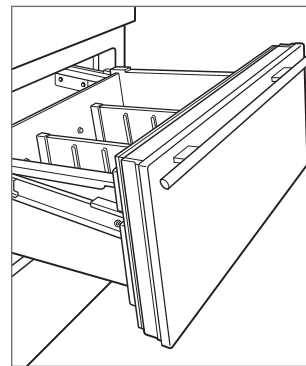


Divisores de cajones

EXTRACCIÓN DEL CAJÓN (MODELO ALTO)

Para quitar/reinstalar un cajón de almacenamiento:

- 1 Para quitarlo, abra el cajón hasta que se detenga. Levante un poco la parte delantera del cajón y tire hacia afuera. Consulte la siguiente ilustración.
- 2 Para reinstalar, levante el frente del cajón y colóquelo sobre las guías. Alinee la parte posterior del cajón con los ganchos de la corredera, luego alinee las clavijas blancas en el frente.



Extracción del cajón

Sabbath

Este electrodoméstico lleva el certificado Star-K que indica que cumple con estrictas normas religiosas junto con instrucciones específicas que aparecen en www.star-k.org.


El modo Sabbath activa automáticamente las luces interiores con un brillo reducido. Las luces permanecen encendidas cuando la puerta se cierra. Las luces no pueden apagarse en el modo Sabbath.

El modo Sabbath se desactiva automáticamente después de 74 horas. Todas las preferencias de iluminación vuelven a su configuración anterior cuando se desactiva el modo Sabbath.

Para activar el modo Sabbath:

- 1 Presione .
- 2 Pulse y mantenga presionado  durante 3 segundos.

Para desactivar el modo Sabbath:

- 1 Pulse y mantenga presionado  durante 10 segundos.

Limpeza

EXTERIOR DE ACERO INOXIDABLE

Utilice un limpiador no abrasivo para acero inoxidable y aplique con un paño suave que no deje pelusa. Para resaltar el lustre natural, limpie suavemente la superficie con una tela de microfibra humedecida con agua y, luego, pule en seco con una gamuza. Siempre siga la dirección del acabado del acero inoxidable.

LIMPIEZA INTERIOR

Para limpiar las superficies interiores y todas las piezas móviles, lave con una solución suave de jabón, agua y bicarbonato de sodio. Enjuague y seque completamente. Evite que caiga agua sobre las luces, el panel de control y la madera de cerezo de la cara de los estantes para vinos.

Utilice un limpiador de cristales estándar para limpiar el cristal de la puerta resistente a los rayos ultravioleta.

⚠ PRECAUCIÓN

No use vinagre, alcohol ni otros limpiadores a base de alcohol en ninguna superficie interna.

LIMPIEZA DEL CONDENSADOR

⚠ PRECAUCIÓN

Antes de limpiar el condensador, apague la unidad desde el panel de control. Utilice guantes para evitar que las aletas afiladas del condensador puedan provocarle heridas.

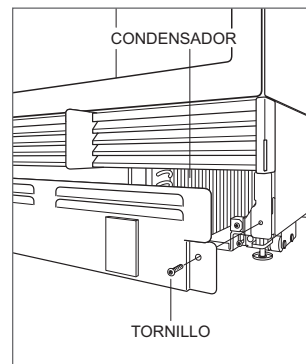
El condensador se encuentra situado detrás del zócalo. Limpie el condensador cada 6 a 12 meses.

Para limpiar el condensador:

- 1 Apague la unidad desde el panel de control.
- 2 Para quitar el zócalo extraiga los dos tornillos para montaje. Consulte la siguiente ilustración.
- 3 Use un cepillo de cerdas suaves y aspiradora para quitar el polvo y pelusa del condensador.

⚠ PRECAUCIÓN

Si no lo limpia, el condensador puede perder la temperatura o puede producirse un daño o falla mecánica en dicho condensador.



Ubicación del condensador

Resolución de problemas

Antes de ponerse en contacto con el servicio certificado de fábrica de Sub-Zero, visite subzero-wolf.com/assistance o utilice estos consejos útiles para evitar la necesidad de una visita de servicio.

OPERACIÓN DE LA UNIDAD

Las luces no funcionan o no enfría.

- 1 Compruebe que esté encendido.
- 2 Compruebe que la alimentación eléctrica a la unidad y el interruptor de circuito de la casa estén encendidos.

Sin luces.

- 1 La puerta tal vez se dejó abierta, lo cual desactivó las luces para eliminar el exceso de calor. Si las luces están apagadas, mantenga la puerta cerrada durante una hora. Si las luces aún permanecen apagadas, póngase en contacto con el servicio certificado de fábrica de Sub-Zero.
- 2 La iluminación del gabinete debe reemplazarse por un servicio autorizado de fábrica de Sub-Zero.

Hay formación de escarcha, condensación o hielo dentro de la unidad.

- 1 Compruebe si el condensador está limpio.
- 2 Compruebe si la puerta cierra correctamente.
- 3 Compruebe que la puerta no se haya quedado abierta.
- 4 Compruebe que el empaque de la puerta no tenga rasgaduras ni roturas. Si tuviera, póngase en contacto con el servicio certificado de fábrica de Sub-Zero.
- 5 Si la formación de hielo es muy gruesa, apague la unidad y use un secador de pelo para derretir el hielo. Debe usar el secador de pelo a baja temperatura y mantenerlo en movimiento en todo momento. Una vez que el hielo se derrita, seque el agua con un paño o toalla de papel.

Altas temperaturas, la unidad funciona en exceso o la unidad emite demasiado calor.

- 1 Compruebe si el condensador está limpio.
- 2 Compruebe si la puerta cierra correctamente.
- 3 Compruebe que la puerta no se haya quedado abierta.
- 4 El aumento de la temperatura ambiente puede causar que el compresor funcione durante más tiempo.
- 5 Si la pantalla muestra una temperatura de 55° y 45°, pero no enfría, es posible que la unidad esté en modo de sala de exposición. Comuníquese con la línea de atención al cliente de Sub-Zero al 800-222-7820.

OLOR

- 1 Debe limpiar la unidad antes de utilizarla por primera vez. Esto eliminará todos los olores que hayan quedado atrapados durante el envío.
- 2 Los alimentos descubiertos pueden generar olores que pueden hacer necesaria una limpieza.

Servicio

- Para mantener la calidad incorporada en su producto, póngase en contacto con el servicio certificado de fábrica de Sub-Zero. Para obtener los datos del centro de servicio autorizado de Sub-Zero más cercano, consulte la sección de Soporte de productos de nuestro sitio web, subzero.com o llame a la línea de atención al cliente de Sub-Zero al 800-222-7820.
- Al comunicarse con el servicio, necesitará el modelo y número de serie de su unidad. Los dos números también aparecen en la placa de datos del producto. Consulte la página 6 para encontrar la placa de datos.
- Para fines de la garantía, usted también necesitará la fecha de instalación y el nombre de su distribuidor autorizado de Sub-Zero. Esta información debe estar registrada en la página 3.

Garantía limitada residencial de Sub-Zero

PARA USO RESIDENCIAL

GARANTÍA COMPLETA DE DOS AÑOS*

Durante dos años a partir de la fecha de la instalación original, la garantía de su producto Sub-Zero cubre todos los repuestos y mano de obra para reparar o cambiar, bajo el uso residencial normal, cualquier parte del producto que se compruebe estar defectuosa en material o mano de obra. Todos los servicios proporcionados por Sub-Zero bajo la garantía anterior deben ser realizados por servicios certificados de fábrica de Sub-Zero, a menos que Sub-Zero Inc. lo especifique de otra manera. El Servicio se hará durante el horario comercial normal.

GARANTÍA COMPLETA DE CINCO AÑOS SOBRE EL SISTEMA CERRADO

Durante cinco años a partir de la fecha de la instalación original, la garantía de Sub-Zero cubre todos los repuestos y mano de obra para reparar o cambiar, bajo el uso residencial normal, cualquiera de estos componentes que se compruebe estar defectuoso en material o mano de obra: compresor, condensador, evaporador, secador y toda la tubería de conexión. Todos los servicios proporcionados por Sub-Zero bajo la garantía anterior deben ser realizados por servicios certificados de fábrica de Sub-Zero, a menos que Sub-Zero Inc. lo especifique de otra manera. El Servicio se hará durante el horario comercial normal.

GARANTÍA LIMITADA DE DOCE AÑOS SOBRE EL SISTEMA CERRADO

Durante doce años a partir de la fecha de la instalación original, Sub-Zero reparará o cambiará los siguientes componentes que se compruebe están defectuosos en material o mano de obra: compresor, condensador, evaporador, secador y toda la tubería de conexión. Si el propietario usa el servicio certificado de fábrica de Sub-Zero, el prestador del servicio reparará o cambiará estas piezas mediante el pago de todos los demás costos, incluyendo la mano de obra, a cargo del propietario. Si el propietario usa un servicio no certificado, debe ponerse en contacto con Sub-Zero, Inc. (mediante la información anotada más adelante) para recibir los componentes reparados o de reemplazo. Sub-Zero no reembolsará al propietario los importes correspondientes a componentes comprados a un servicio no certificado o a otras fuentes.

TÉRMINOS APLICABLES A CADA GARANTÍA

La garantía se aplica solamente a los productos instalados para uso residencial normal. La garantía se aplica solamente a los productos instalados en cualquiera de los cincuenta estados de Estados Unidos, el Distrito de Columbia o las diez provincias de Canadá. Esta garantía no cubre las partes o mano de obra para corregir cualquier defecto causado por negligencia, accidente o uso, mantenimiento, instalación, servicio o reparación inadecuados.

LOS RECURSOS DESCRITOS ANTERIORMENTE PARA CADA GARANTÍA SON LOS ÚNICOS QUE SUB-ZERO, INC. PROPORCIONARÁ, YA SEA BAJO ESTA GARANTÍA O BAJO CUALQUIER GARANTÍA QUE RESULTE DE LA APLICACIÓN DE LA LEY. SUB-ZERO, INC. NO SE HACE RESPONSABLE POR LOS DAÑOS INDIRECTOS O INCIDENTALES DERIVADOS DEL INCUMPLIMIENTO DE ESTA GARANTÍA O CUALQUIER OTRA GARANTÍA, YA SEA EXPRESA, IMPLÍCITA O LEGAL.

Algunos estados no permiten la exclusión o limitación de daños incidentales o consecuentes, por lo tanto la limitación o exclusión anterior podrían no aplicarse en su caso. Esta garantía le otorga derechos legales específicos y usted también puede tener otros derechos legales que varían entre estados.

Para recibir los repuestos y/o el servicio y el nombre del servicio certificado de fábrica de Sub-Zero más cercano a usted, póngase en contacto con Sub-Zero, Inc., P.O. Box 44848, Madison, WI 53744; Verifique la sección de Soporte de productos de nuestro sitio web, subzero.com, envíenos un correo electrónico a customerservice@subzero.com o llame al 800-222-7820.

*Las puertas, paneles, asas, marcos y superficies internas de acero inoxidable están cubiertas por una garantía limitada de 60 días para repuestos y mano de obra, por defectos cosméticos.

*Los filtros de agua de repuesto y los cartuchos de purificación de agua no están cubiertos por la garantía del producto.



Table des matières

3	Cellier à vin de la série Designer
4	Précautions de sécurité
6	Caractéristiques du cellier à vin de la série Designer
7	Commandes tactiles
9	Rangement
11	Fonctionnement du produit
12	Conseils d'entretien
13	Dépannage
15	Garantie Sub-Zero

Service à la clientèle

Le numéro de modèle et le numéro de série sont imprimés sur la fiche d'enregistrement du produit ci-jointe. Les deux numéros sont aussi indiqués sur la plaque signalétique du produit. Reportez-vous à la page 6 pour connaître l'emplacement de la plaque signalétique. Pour les besoins de la garantie, vous devez aussi avoir la date d'installation et le nom de votre dépositaire Sub-Zero autorisé. Inscrivez ces renseignements ci-dessous pour consultation ultérieure.

RENSEIGNEMENTS SUR LE SERVICE

Numéro de modèle

Numéro de série

Date de l'installation

Nom du service certifié

Numéro du service certifié

Dépositaire autorisé

Numéro du dépositaire

Si votre produit a besoin d'être réparé, assurez-vous d'utiliser un fournisseur de service certifié par l'usine Sub-Zero recommandé par notre centre de service à la clientèle, ou sélectionnez-en un parmi la liste de fournisseurs disponibles à subzero.com/locator. Tous les fournisseurs de service certifiés par l'usine sont soigneusement sélectionnés et rigoureusement formés par nous.

Remarque importante

Pour s'assurer que ce produit est installé et utilisé en toute sécurité et aussi efficacement que possible, prenez note des types de renseignement mis en évidence tout au long de ce guide :

REMARQUE IMPORTANTE met en évidence des renseignements qui sont particulièrement importants.

▲ MISE EN GARDE

Indique une situation où une blessure mineure ou des dommages au produit peuvent se produire si les directives ne sont pas respectées.

▲ AVERTISSEMENT

Décrit un danger qui peut causer une blessure grave ou la mort si les précautions ne sont pas respectées.

REMARQUE IMPORTANTE : Tout au long de ce guide, les dimensions entre parenthèses sont en millimètres à moins d'indication contraire.

DIRECTIVES IMPORTANTES

▲ AVERTISSEMENT

Ne rangez pas des substances explosives, comme des bombes aérosol avec un gaz inflammable, dans cet appareil.

▲ AVERTISSEMENT

Gardez les ouvertures de ventilation, dans le boîtier de l'appareil ou dans la structure intégrée, libres de toute obstruction.

▲ AVERTISSEMENT

N'utilisez pas des dispositifs mécaniques ou d'autres méthodes pour accélérer le processus de dégivrage, autres que ceux qui sont recommandés par le fabricant.

▲ AVERTISSEMENT

N'exposez pas cet appareil à la pluie.

▲ AVERTISSEMENT

Cet appareil électroménager n'est conçu que pour une utilisation résidentielle.

▲ AVERTISSEMENT

- Cet appareil contient un réfrigérant inflammable et il doit être manipulé, installé, entretenu et mis hors de service par un personnel autorisé. Une fois mis hors de service, consultez les autorités locales pour obtenir des directives sur l'élimination.
- Pour minimiser le risque d'allumage en raison d'une installation, de pièces de rechange ou de procédures d'entretien inappropriées, seuls des techniciens en réfrigération ayant suivi une formation sur les réfrigérants inflammables qui connaissent les dangers associés à l'électricité haute tension et au réfrigérant sous pression peuvent travailler sur cet appareil.
- N'endommagez pas le circuit de réfrigération lors de l'installation, l'entretien ou la réparation de l'unité.
-  Ce symbole indique un risque d'incendie/de matériaux inflammables.

▲ MISE EN GARDE

Les machines à glaçons incorporées doivent être installées par le fabricant ou son agent de service.

▲ AVERTISSEMENT

N'utilisez pas des appareils électriques à l'intérieur des compartiments de rangement des aliments, à moins qu'ils ne soient d'un type recommandé par le fabricant.

DIRECTIVES IMPORTANTES

▲ AVERTISSEMENT

Cet appareil n'a pas été conçu pour être utilisé par des personnes dont les capacités physiques, sensorielles ou intellectuelles sont réduites, ou par des personnes manquant d'expérience ou de connaissances, à moins d'être supervisées ou d'avoir reçu des directives concernant l'utilisation de l'appareil par une personne responsable de leur sécurité. Les enfants doivent être supervisés pour s'assurer qu'ils ne jouent pas avec l'appareil.

▲ AVERTISSEMENT

DANGER. Risque de piégeage pour les enfants. Avant d'éliminer votre ancien réfrigérateur ou congélateur :

- Retirez les portes.
- Laissez les tablettes et les séparateurs de tiroir en place afin que les enfants ne puissent pas y pénétrer facilement.

▲ AVERTISSEMENT

PROPOSITION 65 POUR LES RÉSIDENTS DE LA CALIFORNIE

Cause le cancer et des troubles reproductifs—
www.P65Warnings.ca.gov

Cet appareil est conçu pour être utilisé dans une résidence et des applications similaires, comme :

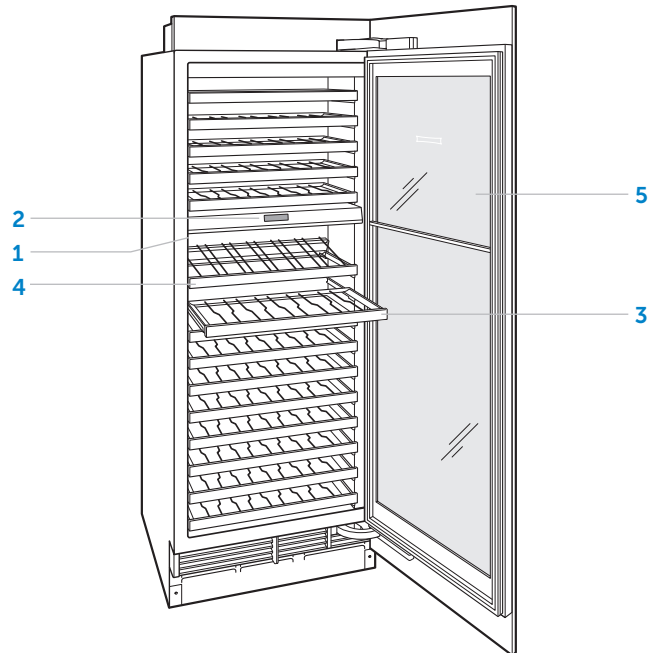
- des zones de cuisine pour employés dans des magasins, des bureaux ou d'autres environnements de travail
- des fermes et par les clients dans des hôtels, des motels et d'autres environnements de type résidentiel
- des environnements de type chambre et petit déjeuner
- des traiteurs et d'autres applications similaires non axées sur la vente au détail

Caractéristiques du cellier à vin de la série Designer

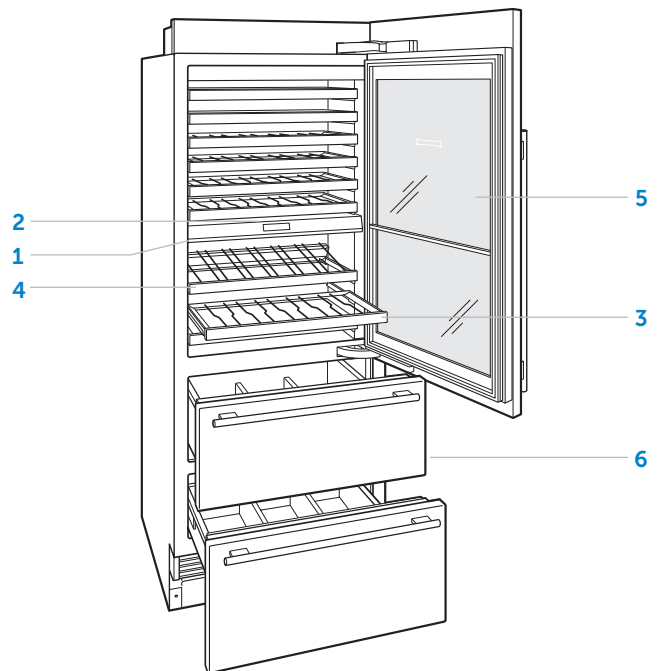
CARACTÉRISTIQUES

- | | |
|---|--|
| 1 | Plaque signalétique du produit |
| 2 | Panneau de commande tactile |
| 3 | Porte-bouteilles du cellier à vin |
| 4 | Porte-bouteilles de présentation |
| 5 | Porte en verre à vue complète |
| 6 | Tiroirs de rangement du réfrigérateur* |

*Non offert sur tous les modèles.



Modèle en colonne



Modèle grand

Panneau de commande tactile

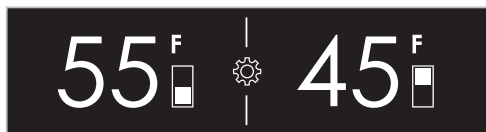
Pour le démarrage initial, touchez et maintenez ⓘ sur le panneau de commande pendant 2 secondes.

La température peut être ajustée par incréments d'un degré sur l'écran d'accueil. La température à la gauche de l'écran représente celle de la zone inférieure et la température à la droite représente celle de la zone supérieure.

Pour ajuster la température :

- 1 Touchez à la température que vous voulez ajuster.
- 2 Touchez à + ou - jusqu'à ce que la température voulue s'affiche. Reportez-vous à l'illustration ci-dessous.

Pour régler des paramètres supplémentaires, touchez ⚙ sur le panneau de commande. Reportez-vous à l'illustration ci-dessous.



Écran d'accueil

PARAMÈTRES

- ⓘ Met en marche ou arrête l'unité
- 💡 Active ou désactive l'éclairage d'appoint et ajuste la luminosité et sélectionne la durée de l'éclairage doux
- 🔔 Active ou désactive l'alarme de la porte et règle sa durée
- 📄 Ajuster la température du tiroir*
- 📶 Active ou désactive la connexion (le cas échéant)
- ★ Active ou désactive la fonction Shabbath
- °C/°F Règle l'unité de température
- 🔊 Règle le volume et la tonalité de l'alarme
- 🌐 Sélectionne la langue
- ⓘ Des informations de service
- 🔧 Permet de voir les renseignements sur le dépannage et le service

*Non offert sur tous les modèles.

Établir la connexion de cet appareil

Reliez cet appareil pour le surveiller et le contrôler à distance. La connexion nécessite un routeur sans fil, une connexion Internet avec un nom de réseau et son mot de passe, ainsi qu'un dispositif mobile compatible. Il n'y a pas de limite au nombre d'appareils que vous pouvez relier à un compte. Vous pouvez relier des produits de plusieurs résidences au même compte. Il n'est pas obligatoire de relier les appareils.

Établissez la connexion dès aujourd'hui pour :

- Recevoir des alertes, des mises à jour sur le statut et des avis sur l'entretien de routine.
- Rationaliser les tâches quotidiennes grâce aux télécommandes et aux commandes vocales.
- Accéder rapidement aux manuels d'utilisation et aux conseils de nettoyage et d'entretien.

Pour établir la connexion :

- 1 Téléchargez l'appli gratuite Sub-Zero Group Owner depuis l'App Store d'Apple ou Google Play.
- 2 Après avoir activé la fonction Bluetooth^{MD} sur votre dispositif, placez-vous à une distance d'environ un mètre de l'appareil, ouvrez l'appli et suivez les directives qui apparaissent à l'écran.
- 3 Ouvrez une session ou créez un compte.
- 4 Tapez sur Add An Appliance (ajouter un appareil) pour ajouter des appareils électroménagers. Pour identifier l'appareil à relier, ouvrez sa porte.
- 5 Tapez sur + à côté de l'appareil pour le sélectionner. Si des appareils identiques apparaissent, suivez l'étape supplémentaire qui s'affiche pour identifier l'appareil à relier.
- 6 Tapez sur Pair Via Bluetooth^{MD} (relier par Bluetooth^{MD}). Attendez que la configuration soit terminée, puis tapez sur Set Up Your Appliance For Pairing (configurer votre appareil pour la connexion).
- 7 Tapez sur Choose a Network (choisir un réseau) sur l'écran Connect Your Appliance to Wi-Fi (relier votre appareil au Wi-Fi).
- 8 Sélectionnez le réseau Wi-Fi résidentiel et saisissez le mot de passe du réseau.
- 9 Tapez sur Turn on Notifications (activer les notifications) pour permettre l'envoi de notifications au sujet de l'appareil (par exemple, si la porte a été laissée entrouverte).
- 10 Tapez sur Done (terminé) sur l'écran Success (réussite) pour terminer la configuration.

Cellier à vin

PORTE-BOUTEILLES

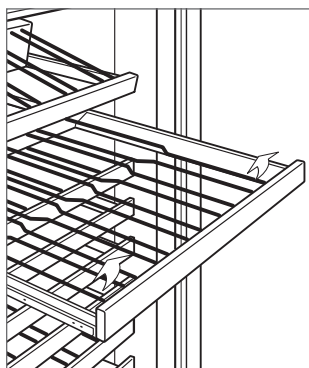
Les porte-bouteilles à extension complète permettent d'accéder facilement aux bouteilles de 750 ml, aux demi-bouteilles et aux magnums. Lorsque vous rangez des magnums, le porte-bouteilles au-dessus doit être enlevé.

Pour retirer un porte-bouteilles, tirez-le complètement, inclinez-le vers le haut, puis soulevez-le vers l'extérieur. Reportez-vous à l'illustration ci-dessous. Les deux porte-bouteilles du haut dans le compartiment supérieur et le porte-bouteilles du haut (les deux premiers pour le modèle grand) dans le compartiment inférieur ne peuvent pas être placés autrement. Ces porte-bouteilles sont identifiés par la petite encoche carrée située dans le coin arrière droit. Reportez-vous à l'illustration ci-dessous.

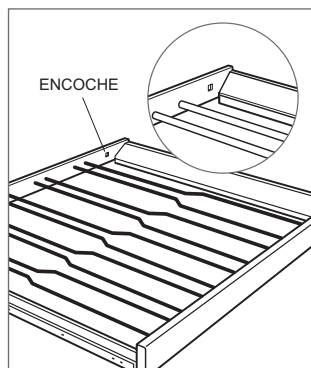
La façade en cerisier naturel sur les porte-bouteilles peut être remplacée par du bois s'agencant aux armoires. Pour de plus amples renseignements, reportez-vous au guide de conception Sub-Zero, visitez notre site Web à subzero.com ou communiquez avec le service à la clientèle de Sub-Zero au 800-222-7820.

⚠ MISE EN GARDE

Retirez toutes les bouteilles de vin du porte-bouteilles avant d'enlever.



Retrait d'un porte-bouteilles



Indicateur de la position d'un porte-bouteilles

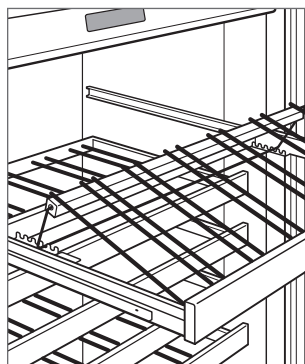
PORTE-BOUTEILLES DE PRÉSENTATION

Le porte-bouteilles de présentation réglable est conçu pour que le vin demeure en contact avec le bouchon quelle que soit la position. Reportez-vous à l'illustration ci-dessous.

Pour retirer le porte-bouteilles de présentation, tirez-le complètement, inclinez-le vers le haut, puis soulevez-le vers l'extérieur.

⚠ MISE EN GARDE

Retirez toutes les bouteilles de vin du porte-bouteilles du présentoir avant d'enlever.



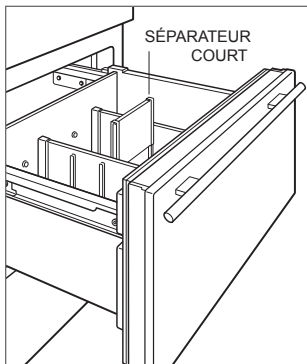
Porte-bouteilles de présentation

Tiroirs de rangement

SÉPARATEURS DE TIROIR (MODÈLE GRAND)

Pour repositionner un séparateur de tiroir:

- 1 Pour retirer un séparateur court, fléchissez légèrement le séparateur long, puis tirez vers le haut. Reportez-vous à l'illustration ci-dessous.
- 2 Un long séparateur dans le tiroir du haut est réglable. Pour retirer un long séparateur, tous les séparateurs courts doivent être retirés. Tirez le long séparateur vers le haut jusqu'à ce qu'il s'arrête, tournez dans le sens antihoraire, puis tirez vers le haut.
- 3 Pour installer un long séparateur, alignez les rainures avec les languettes du tiroir, tournez-le dans le sens des aiguilles d'une montre, puis faites-le glisser vers le bas.
- 4 Pour installer un petit séparateur, positionnez-le comme vous le souhaitez, puis glisse vers le bas.

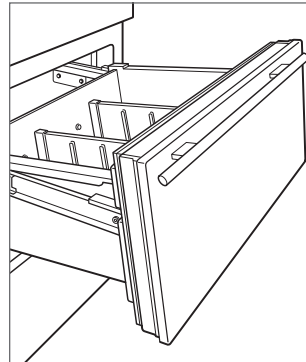


Séparateurs de tiroir

RETRAIT D'UN TIROIR (MODÈLE GRAND)

Pour retirer/installer un tiroir de rangement :

- 1 Pour retirer, ouvrez le tiroir jusqu'à ce qu'il s'arrête. Relevez l'avant du tiroir légèrement et tirez directement vers l'extérieur. Reportez-vous à l'illustration ci-dessous.
- 2 Pour installer, soulevez l'avant du tiroir et placez-le sur les glissières. Alignez l'arrière du tiroir avec les crochets de la glissière, puis alignez les chevilles blanches sur le devant de la glissière avec des trous sur le devant du tiroir.



Démontage du tiroir

Shabbath

Cet appareil est certifié par Star-K pour répondre à des règlements religieux rigoureux relativement à des directives précises se trouvant sur www.star-k.org.

Le mode Shabbath réduit automatiquement la luminosité de l'éclairage intérieur. Les lumières demeurent allumées lorsque la porte est fermée. Les lumières ne peuvent pas être éteintes en mode Shabbath.

Le mode Shabbath se désactive automatiquement après une période de 74 heures. Toutes les préférences d'éclairage reviennent au réglage précédent lorsque le mode Shabbath est désactivé.

Pour activer le mode Shabbath :

- 1 Touchez à .
- 2 Enfoncez  pendant trois secondes.

Pour désactiver le mode Shabbath :

- 1 Enfoncez  pendant jusqu'à dix secondes.

Nettoyage

EXTÉRIEUR EN ACIER INOXYDABLE

Utilisez un nettoyant non abrasif pour l'acier inoxydable et appliquez-le avec un chiffon doux non pelucheux. Pour faire ressortir le lustre naturel, essuyez légèrement la surface avec un chiffon en microfibres humecté d'eau suivi d'un chamois à polir sec. Suivez toujours le grain de l'acier inoxydable.

NETTOYAGE INTÉRIEUR

Pour nettoyer les surfaces intérieures et toutes les pièces amovibles, lavez avec une solution douce de savon, d'eau et de bicarbonate de soude. Rincez et séchez à fond. Évitez de mettre de l'eau sur les lumières, le panneau de commande et la façade en cerisier sur les porte-bouteilles.

Utilisez un nettoyant pour verre standard pour nettoyer la porte en verre résistant aux UV.

⚠ MISE EN GARDE

N'utilisez pas de vinaigre, de l'alcool à friction ou d'autres nettoyants à base d'alcool sur toute surface intérieure.

NETTOYAGE DU CONDENSATEUR

⚠ MISE EN GARDE

Avant de nettoyer le condensateur, coupez l'alimentation sur le panneau de commande. Portez des gants pour éviter toute blessure causée par les ailettes tranchantes du condensateur.

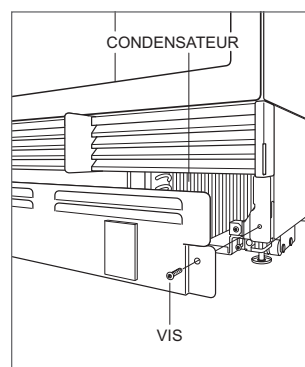
Le condensateur est situé derrière la plaque de protection. Nettoyez le condensateur tous les six à douze mois.

Pour nettoyer le condensateur :

- 1 Éteignez l'unité sur le panneau de commande.
- 2 Retirez la plaque de protection en enlevant les deux vis de montage. Reportez-vous à l'illustration ci-dessous.
- 3 Utilisez une brosse à soie souple et un aspirateur pour éliminer la poussière et les peluches de la zone du condensateur.

⚠ MISE EN GARDE

L'omission de nettoyer le condensateur pourrait entraîner une perte de température, une défaillance mécanique ou des dommages.



Emplacement du condensateur

Dépannage

Avant de contacter le service certifié d'usine de Sub-Zero, visitez le site subzero-wolf.com/assistance ou utilisez ces conseils utiles pour éviter d'avoir besoin d'une visite de service.

FONCTIONNEMENT DE L'UNITÉ

Pas de lumière ou de refroidissement.

- 1 Assurez-vous qu'il y a du courant.
- 2 Vérifiez l'alimentation électrique vers l'unité et assurez-vous que le disjoncteur est en marche.

Pas de lumière.

- 1 La porte peut avoir été laissée entrouverte, ce qui a désactivé les lumières pour éliminer l'excédent de chaleur. Si les lumières sont éteintes, fermez la porte pendant une heure. Si les lumières sont toujours éteintes, communiquez avec le service certifié par l'usine Sub-Zero.
- 2 L'éclairage de l'armoire doit être remplacé par le service certifié par l'usine Sub-Zero.

Givre, condensation ou accumulation de glace à l'intérieur de l'unité.

- 1 Assurez-vous que le condensateur est propre.
- 2 Assurez-vous que la porte se ferme correctement.
- 3 Vérifiez que la porte n'ait pas été laissée entrouverte.
- 4 Vérifiez que le joint de la porte n'ait pas de coupures ou de déchirures. Le cas échéant, communiquez avec le service certifié par l'usine Sub-Zero.
- 5 Si le glaçage est épais, éteignez l'appareil et utilisez un sèche-cheveux pour faire fondre la glace. Le sèche-cheveux doit être réglé sur faible et en mouvement constamment. Une fois la glace fondue, essuyez l'eau avec un chiffon ou une serviette en papier.

Températures élevées, l'unité fonctionne de façon excessive ou émet trop de chaleur.

- 1 Assurez-vous que le condensateur est propre.
- 2 Assurez-vous que la porte se ferme correctement.
- 3 Vérifiez que la porte n'ait pas été laissée entrouverte.
- 4 Des températures ambiantes élevées peuvent faire fonctionner les compresseurs plus longtemps.
- 5 Si l'affichage de la température indique 55° et 45°, mais ne refroidit pas, l'unité peut se trouver en mode de salle d'exposition. Communiquez avec le service à la clientèle de Sub-Zero au 800-222-7820.

ODEUR

- 1 L'unité doit être nettoyée avant de l'utiliser la première fois. Cela éliminera les odeurs qui ont pu être captées lors de l'expédition.
- 2 Des aliments non couverts peuvent dégager une odeur qui peut nécessiter un nettoyage.

Service

- Préservez la qualité intégrée dans votre produit en communiquant avec un service certifié par l'usine Sub-Zero. Pour obtenir le nom du centre de service Sub-Zero certifié par l'usine le plus près de chez vous, consultez la section Support produit de notre site Web, subzero.com ou appelez le service à la clientèle de Sub-Zero au 800-222-7820.
- Avant d'appeler pour obtenir du service, ayez en main les numéros de modèle et de série de votre unité. Les deux numéros sont indiqués sur la plaque signalétique du produit. Reportez-vous à la page 6 pour connaître l'emplacement de la plaque signalétique.
- Pour les besoins de la garantie, vous devrez aussi avoir la date d'installation et le nom de votre dépositaire Sub-Zero autorisé. Ces renseignements doivent être notés à la page 3.

Garantie limitée résidentielle Sub-Zero

POUR UTILISATION RÉSIDENIELLE

GARANTIE COMPLÈTE DE DEUX ANS*

Pendant deux ans à compter de la date d'installation originale, cette garantie de produit Sub-Zero couvre toutes les pièces et la main d'œuvre pour réparer ou remplacer, selon un usage résidentiel normal, toute partie du produit qui s'avèrerait défectueuse en vertu des matériaux ou de la fabrication. Le service fourni par Sub-Zero en vertu de la garantie ci-dessus doit être effectué par un centre de service Sub-Zero certifié par l'usine, à moins d'être précisé autrement par Sub-Zero, Inc. Le service sera fourni pendant les heures normales d'ouverture.

GARANTIE COMPLÈTE DE CINQ ANS SUR LE SYSTÈME SCELLÉ

Pendant cinq ans à compter de la date d'installation originale, cette garantie de produit Sub-Zero couvrira toutes les pièces et la main d'œuvre pour réparer ou remplacer, selon un usage résidentiel normal, les pièces qui s'avèreraient défectueuses en vertu des matériaux ou de la fabrication : le compresseur, le condensateur, l'évaporateur, le déshydrateur et toute la tuyauterie de connexion. Le service fourni par Sub-Zero en vertu de la garantie ci-dessus doit être effectué par un centre de service Sub-Zero certifié par l'usine, à moins d'être précisé autrement par Sub-Zero, Inc. Le service sera fourni pendant les heures normales d'ouverture.

GARANTIE LIMITÉE DE DOUZE ANS SUR LE SYSTÈME SCELLÉ

Pendant douze ans à compter de la date originale d'installation, Sub-Zero réparera ou remplacera les pièces suivantes qui s'avèreront défectueuses en vertu des matériaux ou de la fabrication : le compresseur, le condensateur, l'évaporateur, le déshydrateur et toute la tuyauterie de connexion. Si le propriétaire utilise le service Sub-Zero certifié en usine, le fournisseur de service réparera ou remplacera ces pièces et le propriétaire paiera pour tous les autres frais, y compris la main d'œuvre. Si le propriétaire utilise un service non certifié, il doit communiquer avec Sub-Zero, Inc. (avec les renseignements ci-dessous) pour obtenir des pièces réparées ou de rechange. Sub-Zero ne remboursera pas le propriétaire pour les pièces achetées d'un service non certifié ou d'autres sources.

CONDITIONS S'APPLIQUANT À CHAQUE GARANTIE

La garantie s'applique uniquement aux produits installés pour un usage résidentiel normal. La garantie s'applique seulement aux produits installés dans l'un des cinquante états des États-Unis, dans le District of Columbia ou les dix provinces du Canada. Cette garantie ne couvre pas les pièces ou la main d'œuvre pour corriger tout défaut causé par de la négligence, un accident ou une utilisation, un entretien, une installation, un service ou une réparation inappropriés.

LES REMÈDES DÉCRITS CI-DESSUS POUR CHAQUE GARANTIE SONT LES SEULS QUI SONT OFFERTS PAR SUB-ZERO, INC. EN VERTU DE CETTE GARANTIE OU EN VERTU DE TOUTE GARANTIE DÉCOULANT DE L'OPÉRATION DE LA LOI. SUB-ZERO, INC. NE SERA PAS RESPONSABLE DES DOMMAGES INDIRECTS OU CONSÉCUTIFS DÉCOULANT DE LA VIOLATION À CETTE GARANTIE OU À TOUTE GARANTIE, EXPRESSE, IMPLICITE OU LÉGALE.

Certaines provinces ne permettent pas l'exclusion ou la restriction des dommages indirects ou consécutifs, par conséquent, la limite ou l'exclusion ci-dessus peut ne pas s'appliquer à votre cas. Cette garantie vous confère des droits légaux précis et vous pouvez aussi avoir d'autres droits légaux qui peuvent varier d'une province à l'autre.

Pour obtenir des pièces et/ou du service et le nom du centre de service Sub-Zero certifié par l'usine le plus près de chez vous, communiquez avec Sub-Zero, Inc., P.O. Box 44848, Madison, WI 53744 É.-U.; Consultez la section Support produit de notre site Web, subzero.com, envoyez-nous un courriel à customerservice@subzero.com ou composez le 800-222-7820.

*L'acier inoxydable (les portes, les panneaux, les poignées, les cadres et les surfaces intérieures) est couvert par une garantie limitée de 60 jours sur les pièces et la main d'œuvre pour toute défectuosité cosmétique.

*Les cartouches du filtre à eau et de purification d'air de rechange ne sont pas couvertes par la garantie du produit.





SUB-ZERO, INC. P.O. BOX 44848 MADISON, WI 53744 SUBZERO.COM 800.222.7820

9056236 REV-A

7/2022

