

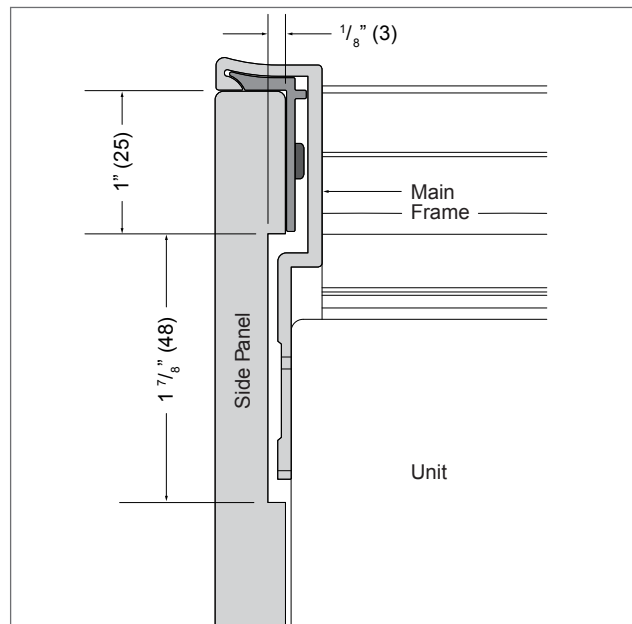
CONTENTS

6	Screw, #10 × 3/4" drill PH hex wash
24	Screw, #8-18 × 1/2" PH truss Hd
3	Bracket, side panel front
2	Bracket, side panel rear
1	Instruction sheet

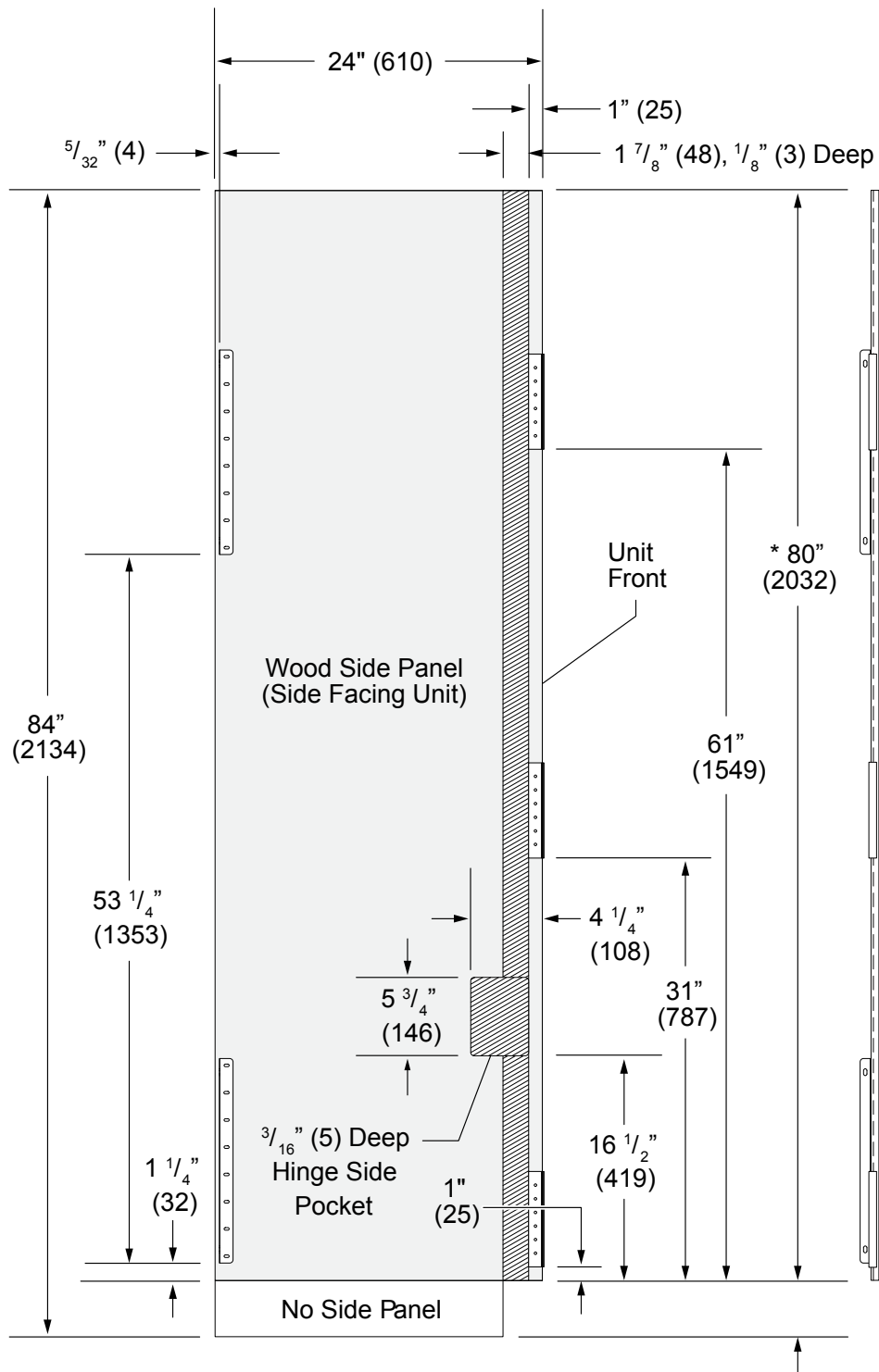
Note: Side panels must be a minimum of 1/2" (13 mm) thick.

WOOD SIDE PANEL PREPARATION

- 1 Route a 1-7/8" (48 mm) wide, 1/8" (3 mm) deep groove into the side of the panel that will face the unit, 1" (25 mm) from the front edge. This is to accommodate the main frame and to allow the side panel to fit flush against the unit side.
- 2 If the panel is to be mounted on the hinge side of an over/under model, route a 3/16" (5 mm) deep pocket into the side of the panel that will face the unit. This is to accommodate the lower refrigerator hinge plate.
- 3 After the side panel is cut to size and the appropriate groove and pocket are routed, use the #8-18 × 1/2" Phillips truss head screws to attach the three front brackets and two rear brackets.



Wood Side Panel Preparation (continued)



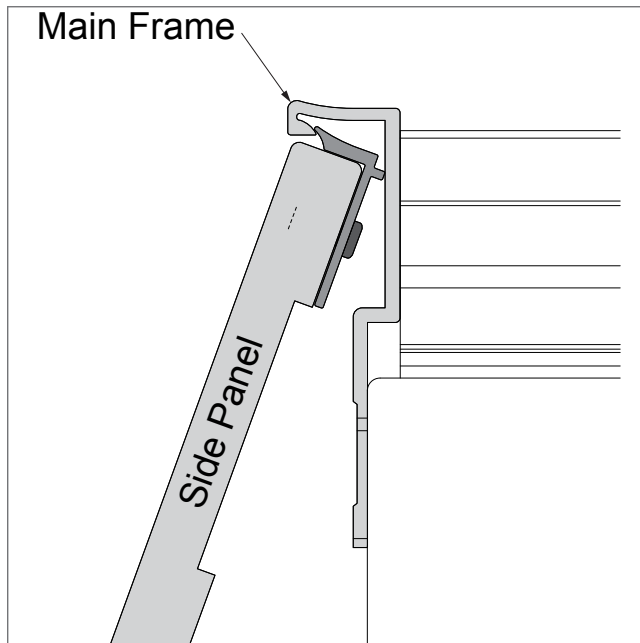
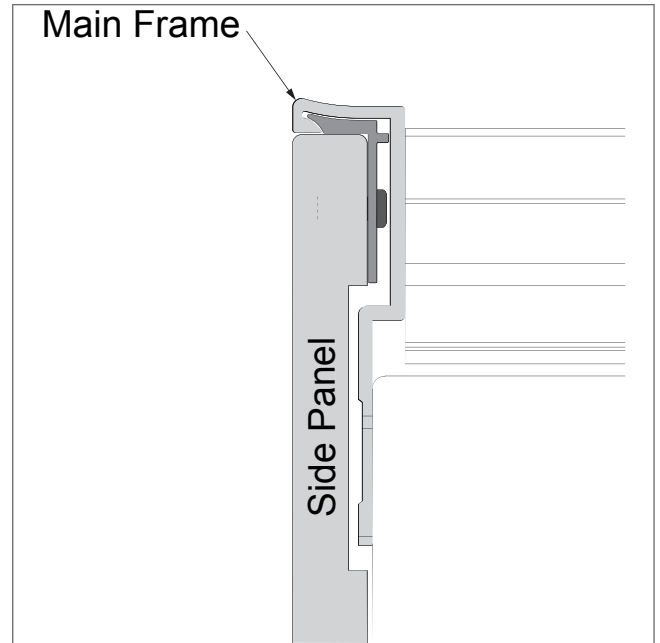
* Dimension may vary depending on grille height; 80" (2032) tall panel is standard.
 NOTE: Dimensions in parentheses are in millimeters.

HANG THE SIDE PANEL

Note: Side panels must be installed before the unit is placed in its final position.

- 1 With the side panel held at an angle to the side of the unit, engage the front brackets behind the main frame.
- 2 Rotate the back of the panel toward the unit so the front brackets hook in behind the main frame.
- 3 Align the rear bracket mounting holes with the pre-punched locator holes at the back of the unit.
- 4 Insert the #10 × 3/4" drill PH hex washer screws through the bracket mounting holes (two for each bracket), then use a power driver with a Phillips or 5/16" hex bit to drive the screws into the pre-punched locator holes.

Note: It is not necessary to drill holes into the back of the unit in order to mount the brackets. It should be possible to push the screw tips through the unit shell while spinning the screws clockwise with a power driver. If a drill bit is used, verify it is a 1/8" (3 mm) drill bit, but **DO NOT** penetrate deeper than 3/4" (19 mm).



Hang the Side Panel (continued)

