

WINE STORAGE
USE AND CARE GUIDE

CLEANING, MAINTENANCE, AND MORE



Contents

- 4 Wine Storage Features
- 5 Electronic Controls
- 6 Storage
- 7 Operation
- 8 Care Recommendations
- 9 Troubleshooting
- 11 Sub-Zero Warranty

Customer Care

The model and serial number are printed on the enclosed product registration card. Both numbers are also listed on the product rating plate. Refer to page 4 for rating plate location. For warranty purposes, you will also need the date of installation and name of your authorized Sub-Zero dealer. Record this information below for future reference.

SERVICE INFORMATION

| | |
|--------------------------|-------|
| Model Number | _____ |
| Serial Number | _____ |
| Date of Installation | _____ |
| Certified Service Name | _____ |
| Certified Service Number | _____ |
| Authorized Dealer | _____ |
| Dealer Number | _____ |

If your product ever needs attention, be sure to use a Sub-Zero Factory Certified Service provider recommended by our Customer Care Center, or select one from our list of providers available at subzero.com/locator. All Factory Certified Service providers are carefully selected and thoroughly trained by us.

Important Note

To ensure this product is installed and operated as safely and efficiently as possible, take note of the following types of highlighted information throughout this guide:

IMPORTANT NOTE highlights information that is especially important.

CAUTION indicates a situation where minor injury or product damage may occur if instructions are not followed.

WARNING states a hazard that may cause serious injury or death if precautions are not followed.

IMPORTANT NOTE: Throughout this guide, dimensions in parentheses are millimeters unless otherwise specified.

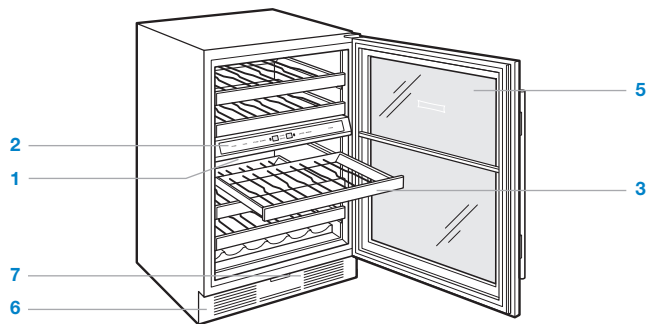
WARNING

PROPOSITION 65 FOR CALIFORNIA RESIDENTS
Cancer and Reproductive Harm—
www.P65Warnings.ca.gov

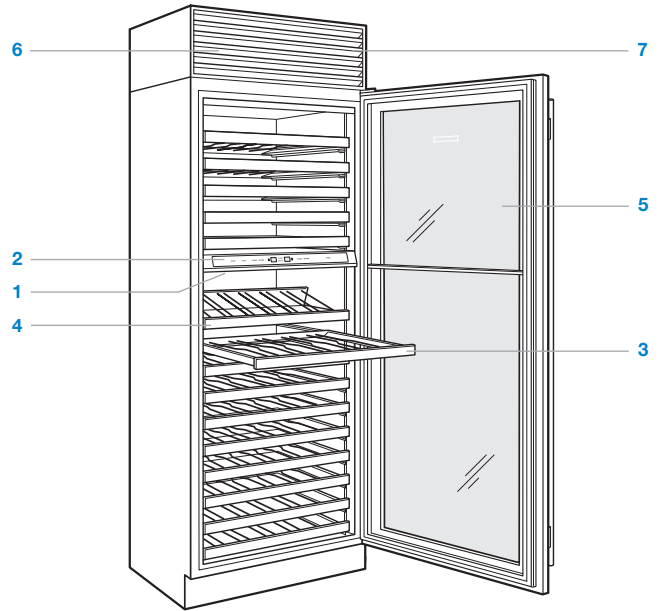
Wine Storage Features

FEATURES

| | |
|---|--|
| 1 | Product Rating Plate |
| 2 | Electronic Control Panel and Display |
| 3 | Wine Storage Racks |
| 4 | Display Rack (Model BW-30) |
| 5 | Full-View Glass Door |
| 6 | Home Security System |
| 7 | Condenser (behind kickplate or grille) |



Model UW-24





Model BW-30

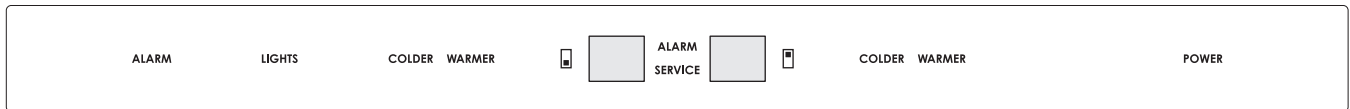
Control Panel

FUNCTION

| | |
|--------------------------|---|
| ALARM | Activates or deactivates the temperature alarm. A chime indicates the temperature is below 32°F (0°C) or 15°F (8°C) above the set temperature. |
| LIGHTS | Turns accent lighting on or off. |
| COLDER WARMER | Adjusts the temperature in one-degree increments. Two distinct temperature zones have separate temperature controls. Temperatures are preset at 45°F (7°C) and 55°F (13°C). |
| POWER | Turns the unit on or off. Turning power off at the control panel eliminates the need to unplug or turn power off at the circuit breaker during service or extended vacations. |

INDICATOR

| | |
|---|--|
|  | Indicates the lower temperature zone. |
|  | Indicates the upper temperature zone. |
| ALARM | Illuminates when the temperature alarm is activated. |
| SERVICE | Illuminates when a temperature problem has been detected, or if the condenser needs to be cleaned. |



Control panel

Wine Storage

WINE RACKS

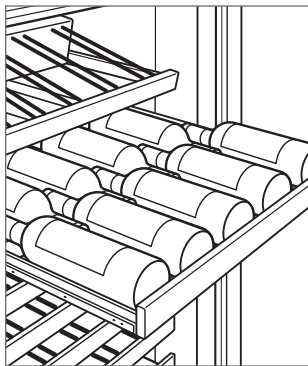
The full-extension (three-quarter extension for model UW-24) racks provide easy access to 750 ml, half-bottles, and magnums. Refer to the illustration below for proper bottle arrangement. When storing magnums, the rack above must be removed.

To remove a wine rack, pull out to full extension, tilt up, then lift up and out. Refer to the illustration below.

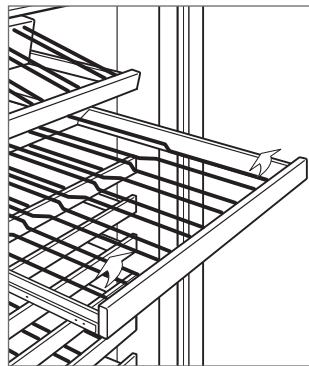
The natural cherrywood facing on wine racks can be stained or replaced with wood to compliment cabinetry. For more information, refer to the Sub-Zero design guide, visit our website at subzero.com, or contact Sub-Zero Customer Care at 800-222-7820.

⚠ CAUTION

Remove all bottles from the wine rack before removal.



Bottle arrangement

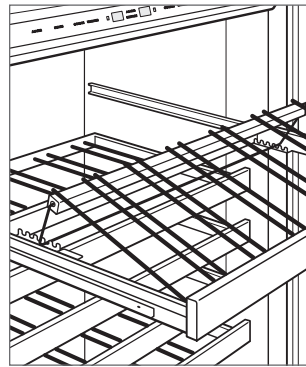


Wine rack removal

DISPLAY RACK (MODEL BW-30)

Model BW-30 features an illuminated display rack. The adjustable display rack is designed for wine to stay in contact with the cork at any position. Refer to the illustration below.

To remove the display rack, pull out to full extension, tilt up, then lift up and out.



Display rack



Sabbath

This appliance is certified by Star-K to meet strict religious regulations in conjunction with specific instructions found on www.star-k.org.

To initiate Sabbath mode, while the unit is on, touch POWER on the control panel, then touch and hold POWER for 10 seconds. This will turn the unit on with lights disabled. To return to normal operating conditions, touch POWER.

Cleaning

INTERIOR CLEANING

To clean interior surfaces and all removable parts, wash with a mild solution of soap, water, and baking soda. Rinse and dry thoroughly. Avoid getting water on the lights, control panel, and cherrywood facing on wine racks.

Use a standard glass cleaner to clean the UV-resistant glass door.

⚠ CAUTION

Do not use vinegar, rubbing alcohol, or other alcohol-based cleaners on any interior surface.

STAINLESS STEEL EXTERIOR

Use a nonabrasive stainless steel cleaner and apply with a soft lint-free cloth. To bring out the natural luster, lightly wipe the surface with a water-dampened microfiber cloth followed by a dry polishing chamois. Always follow the grain of stainless steel.

CONDENSER CLEANING

⚠ CAUTION

Before cleaning the condenser, turn power off at the control panel. Wear gloves to avoid injury from sharp condenser fins.

Models UW-24 and UW-24FS: The condenser is located at the bottom of the unit, behind the kickplate. To access, remove the kickplate. Refer to the illustration below.

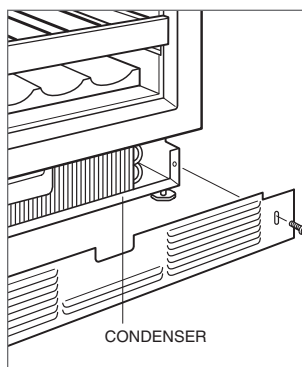
Model BW-30: The condenser is located behind the flip-up grille. To access, pull out on the bottom edge of the grille and rotate upward. Refer to the illustration below.

Use a soft bristle brush and vacuum to remove dust and lint from the condenser. Clean the condenser every 6–12 months.

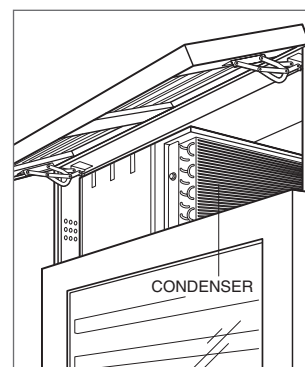
IMPORTANT NOTE: To avoid damaging the condenser, vacuum in the direction of the fins.

⚠ CAUTION

Failure to clean the condenser could result in temperature loss, mechanical failure or damage.



Models UW-24 and UW-24FS



Model BW-30

Troubleshooting

SERVICE INDICATOR

“SERVICE” flashes in the control panel display.

- Verify the condenser is clean.
- Turn the unit off at the control panel, then on. If the indicator continues to flash, contact Sub-Zero Factory Certified Service.

UNIT OPERATION

No lights or cooling.

- Verify power is on.
- Verify electrical power to the unit and home circuit breaker is on.

No lights.

- The door may have been left ajar which has disabled the lights to eliminate excess heat. If the lights are out, close the door for one hour. If the lights are still out, contact Sub-Zero Factory Certified Service.
- Cabinet lighting must be replaced by Sub-Zero Factory Certified Service.

Condensation forms inside the unit.

- Verify the condenser is clean.
- Verify the door is closing properly.
- Verify the door has not been left ajar.
- Verify the door gasket does not have rips or tears. If it does, contact Sub-Zero Factory Certified Service.

High temperatures, the unit runs excessively or is giving off too much heat.

- Verify the condenser is clean.
- Verify the door is closing properly.
- Verify the door has not been left ajar.
- Increased ambient temperatures may cause the compressor to run longer.
- If the temperature display shows 45° and 55°, but is not cooling, the unit may be in showroom mode. Contact Sub-Zero Customer Care at 800-222-7820.

ODOR

- The unit should be cleaned before using for the first time. This will clear any odors that may have been trapped during shipping.

Service

- Maintain the quality built into your product by contacting Sub-Zero Factory Certified Service. For the name of the nearest Sub-Zero Factory Certified Service, check the Support & Service section of our website, subzero.com or call Sub-Zero Customer Care at 800-222-7820.
- When contacting service, you will need the model and serial number of your unit. Both numbers are listed on the product rating plate. Refer to page 4 for rating plate location.
- For warranty purposes, you will also need the date of installation and name of your authorized Sub-Zero dealer. This information should be recorded on page 3.

Sub-Zero Residential Limited Warranty

FOR RESIDENTIAL USE

FULL TWO YEAR WARRANTY*

For two years from the date of original installation, this Sub-Zero product warranty covers all parts and labor to repair or replace, under normal residential use, any part of the product that proves to be defective in materials or workmanship. All service provided by Sub-Zero under the above warranty must be performed by Sub-Zero factory certified service, unless otherwise specified by Sub-Zero, Inc. Service will be provided during normal business hours.

FULL FIVE YEAR SEALED SYSTEM WARRANTY

For five years from the date of original installation, this Sub-Zero product warranty covers all parts and labor to repair or replace, under normal residential use, these parts that prove to be defective in materials or workmanship: compressor, condenser, evaporator, drier and all connecting tubing. All service provided by Sub-Zero under the above warranty must be performed by Sub-Zero factory certified service, unless otherwise specified by Sub-Zero, Inc. Service will be provided during normal business hours.

LIMITED TWELVE YEAR SEALED SYSTEM WARRANTY

For twelve years from the date of original installation, Sub-Zero will repair or replace the following parts that prove to be defective in materials or workmanship: compressor, condenser, evaporator, drier and all connecting tubing. If the owner uses Sub-Zero factory certified service, the service provider will repair or replace these parts with the owner paying for all other costs, including labor. If the owner uses non-certified service, the owner must contact Sub-Zero, Inc. (using the information below) to receive repaired or replacement parts. Sub-Zero will not reimburse the owner for parts purchased from non-certified service or other sources.

TERMS APPLICABLE TO EACH WARRANTY

The warranty applies only to products installed for normal residential use. The warranty applies only to products installed in any one of the fifty states of the United States, the District of Columbia or the ten provinces of Canada. This warranty does not cover any parts or labor to correct any defect caused by negligence, accident or improper use, maintenance, installation, service or repair.

THE REMEDIES DESCRIBED ABOVE FOR EACH WARRANTY ARE THE ONLY ONES THAT SUB-ZERO, INC. WILL PROVIDE, EITHER UNDER THIS WARRANTY OR UNDER ANY WARRANTY ARISING BY OPERATION OF LAW. SUB-ZERO, INC. WILL NOT BE RESPONSIBLE FOR ANY CONSEQUENTIAL OR INCIDENTAL DAMAGES ARISING FROM THE BREACH OF THIS WARRANTY OR ANY OTHER WARRANTY, WHETHER EXPRESS, IMPLIED OR STATUTORY.

Some states do not allow the exclusion or limitation of incidental or consequential damages, so the above limitation or exclusion may not apply to you. This warranty gives you specific legal rights and you may also have other legal rights that vary from state to state.

To receive parts and/or service and the name of Sub-Zero factory certified service nearest you, contact Sub-Zero, Inc., P.O. Box 44848, Madison, WI 53744; check the contact & support section of our website, subzero.com, email us at customerservice@subzero.com or call 800-222-7820.

*Stainless steel (doors, panels, handles, product frames and interior surfaces) are covered by a limited 60-day parts and labor warranty for cosmetic defects.

*Replacement water filters and air purification cartridges are not covered by the product warranty.



Contenido

- 4 Funciones de la unidad para almacenamiento de vinos
- 5 Controles electrónicos
- 6 Almacenamiento
- 7 Operación
- 8 Recomendaciones de cuidado
- 9 Resolución de problemas
- 11 Garantía de Sub-Zero

Atención al cliente

El modelo y número de serie están impresos en la tarjeta de registro del producto adjunta. Los dos números también aparecen en la placa de datos del producto. Consulte la página 4 para encontrar la placa de datos. Para fines de la garantía, usted también necesitará la fecha de instalación y el nombre de su distribuidor autorizado de Sub-Zero. Anote esta información abajo para referencia futura.

INFORMACIÓN PARA SERVICIO

| |
|--------------------------------|
| Número de modelo |
| Número de serie |
| Fecha de instalación |
| Nombre de servicio certificado |
| Número de servicio certificado |
| Distribuidor autorizado |
| Número de distribuidor |

Si su producto alguna vez necesita servicio, asegúrese de usar un proveedor de servicios certificado por Sub-Zero y recomendado por nuestro centro de atención al cliente, o seleccione uno de nuestra lista de proveedores disponibles en subzero.com/locator. Todos los proveedores de servicio certificados de fábrica han sido cuidadosamente seleccionados y entrenados a fondo por nosotros.

Aviso importante

Para garantizar que este producto sea instalado y operado de la forma más segura y eficiente posible, tome nota de los siguientes tipos de información resaltada en esta guía:

AVISO IMPORTANTE resalta la información que es especialmente importante.

PRECAUCIÓN indica una situación en la que se pueden sufrir heridas leves o provocar daños al producto si no se siguen las instrucciones.

ADVERTENCIA indica peligro de que se produzcan heridas graves o incluso la muerte si no se siguen las precauciones.

AVISO IMPORTANTE: En toda esta guía, las dimensiones entre paréntesis son milímetros, a menos que se especifique lo contrario.

ADVERTENCIA

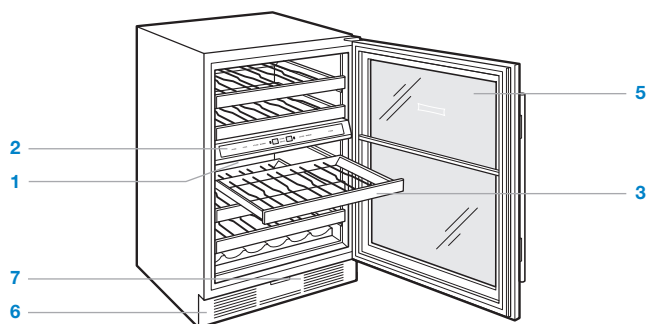
PROPUESTA 65 PARA RESIDENTES DE CALIFORNIA

Cáncer y Daño Reproductivo—
www.P65Warnings.ca.gov

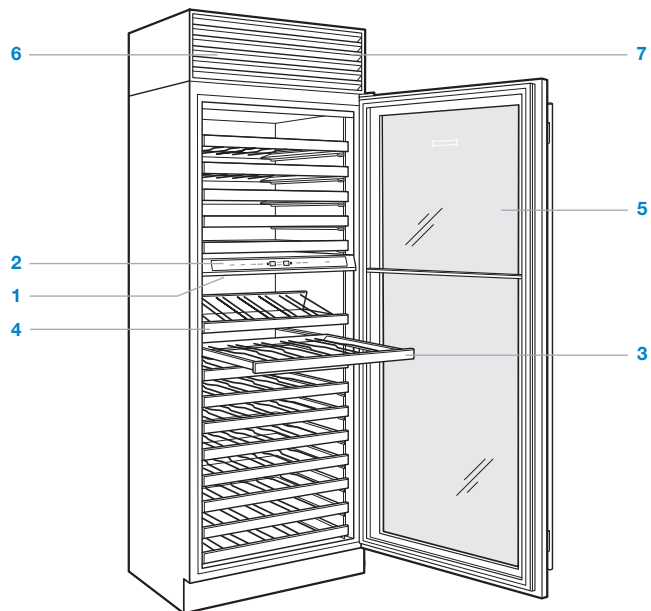
Funciones de la unidad para almacenamiento de vinos

CARACTERÍSTICAS

| | |
|---|---|
| 1 | Placa de datos del producto |
| 2 | Panel de control y pantalla electrónica |
| 3 | Estantes para almacenamiento de vinos |
| 4 | Estante para exhibición (Modelo BW-30) |
| 5 | Puerta de cristal de vista completa |
| 6 | Sistema de seguridad para el hogar |
| 7 | Condensador (detrás del zócalo o de la rejilla) |



Modelo UW-24





Modelo BW-30

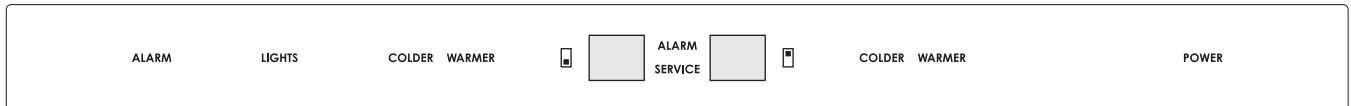
Panel de control

FUNCIÓN

| | |
|--|---|
| ALARM (ALARMA) | Activa o desactiva la alarma de temperatura. Un sonido de campanilla indica que la temperatura está por debajo de los 32°F (0°C) o 15°F (8°C) por encima de la temperatura establecida. |
| LIGHTS (LUCES) | Enciende o apaga la luz de acento. |
| COLDER WARMER (MÁS FRÍO MÁS TEMPLADO) | Ajusta la temperatura en incrementos de un grado. Dos distintas zonas de temperatura tienen controles de temperatura separados. Las temperaturas están fijadas previamente en 45°F (7°C) y 55°F (13°C). |
| POWER (ALIMENTACION) | Enciende o apaga la unidad. Desactivar la alimentación en el panel de control elimina la necesidad de desconectar la unidad o de apagar el suministro eléctrico en el disyuntor durante el servicio o las vacaciones prolongadas. |

INDICADOR

| | |
|---|---|
|  | Indica zona de temperatura más baja. |
|  | Indica zona de temperatura superior. |
| ALARM (ALARMA) | Se ilumina cuando se activa la alarma de temperatura. |
| SERVICE (SERVICIO) | Se ilumina cuando un problema de temperatura ha sido detectado, o cuando es necesario limpiar el condensador. |



Panel de control

Almacenamiento de vinos

ESTANTES PARA VINO

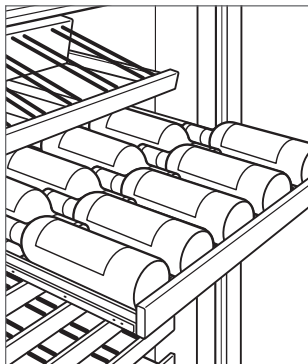
Los estantes de extensión completa (extensión de tres cuartos para el modelo de la UW-24) permiten un fácil acceso a botellas de 750 ml, medias botellas y magnas. Consulte la ilustración para acomodar las botellas adecuadamente. Cuando se almacenen botellas magnas (dobles) se debe retirar el estante superior.

Para retirar un estante para almacenar vinos, extiéndalo completamente, inclínelo hacia arriba, luego levántelo hacia arriba y hacia afuera. Consulte la siguiente ilustración.

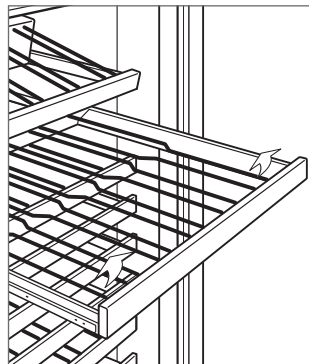
El revestimiento de madera de cerezo en los estantes para almacenar vinos se puede reemplazar con madera para complementar los gabinetes. Para más información, consulte la guía de diseños de Sub-Zero, visite nuestra página de Internet en subzero.com o comuníquese a la línea de atención al cliente de Sub-Zero al 800-222-7820.

▲ PRECAUCIÓN

Retire todas las botellas del estante para almacenar vinos antes de quitar el estante.



Acomodo de botellas

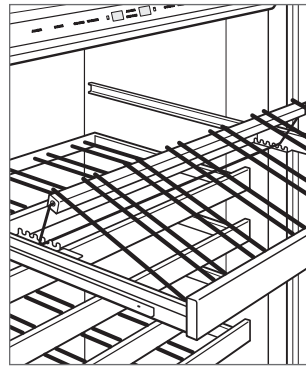


Retiro del estante para vinos

ESTANTE PARA EXHIBICIÓN (MODELO BW-30)

El estante de exhibición ajustable está diseñado para que el vino esté en contacto con el corcho en cualquier posición. Consulte la siguiente ilustración.

Para retirar el estante de exhibición, extiéndalo completamente, inclínelo hacia arriba, luego levántelo hacia arriba y hacia fuera.



Estante para exhibición



Sabbath

Este electrodoméstico lleva el certificado Star-K que indica que cumple con estrictas normas religiosas junto con instrucciones específicas que aparecen en www.star-k.org.

Para iniciar el modo Sabbath, cuando la unidad está encendida, presione el botón POWER (alimentación) en el panel de control. Toque y sostenga el botón POWER durante 10 segundos. Esto encenderá la unidad y las luces quedarán desactivadas. Para regresar a las condiciones normales de funcionamiento, toque el botón POWER.

Limpieza

LIMPIEZA INTERIOR

Para limpiar las superficies interiores y todas las piezas móviles, lave con una solución suave de jabón, agua y bicarbonato de sodio. Enjuague y seque completamente. Evite que caiga agua sobre las luces, el panel de control y la madera de cerezo de la cara de los estantes para vinos.

Utilice un limpiador de cristales estándar para limpiar el cristal de la puerta resistente a los rayos ultravioleta.

⚠ PRECAUCIÓN

No utilice vinagre, alcohol ni otros limpiadores a base de alcohol en ninguna superficie interna.

EXTERIOR DE ACERO INOXIDABLE

Use un limpiador no abrasivo para acero inoxidable y aplique con un paño suave sin pelusa. Para resaltar el lustre natural, limpie suavemente la superficie con una tela de microfibra humedecida con agua, seguida con una gamuza para pulir en seco. Siempre siga la dirección del acabado del acero inoxidable.

LIMPIEZA DEL CONDENSADOR

⚠ PRECAUCIÓN

Antes de limpiar el condensador, apague la unidad desde el panel de control. Utilice guantes para evitar que las aletas afiladas del condensador puedan provocarle heridas.

Modelos UW-24 y UW-24FS: El condensador se encuentra en la parte baja de la unidad, detrás del zócalo. Para tener acceso al mismo, retire el zócalo. Consulte la siguiente ilustración.

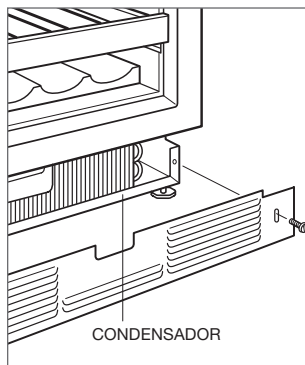
Modelo BW-30: El condensador está situado detrás de la rejilla abatible. Para obtener acceso al mismo, jale el borde inferior de la rejilla hacia afuera y gire hacia arriba. Consulte la siguiente ilustración.

Use un cepillo de cerdas suaves y aspire para quitar el polvo y pelusa del condensador. Limpie el condensador cada 6–12 meses.

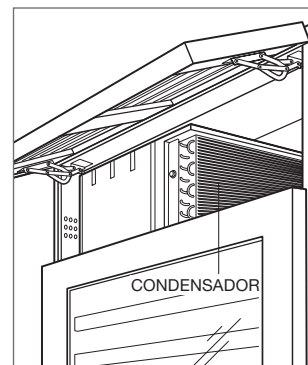
AVISO IMPORTANTE: Para evitar que el condensador se dañe, asegúrese de aspirar en dirección de las aletas.

⚠ PRECAUCIÓN

Si no lo limpia, el condensador puede perder la temperatura, o puede producirse un daño o fallo mecánico en el mismo.



Modelos UW-24 y UW-24FS



Modelo BW-30

Resolución de problemas

INDICADOR DE SERVICIO

"SERVICE" parpadea en la pantalla del panel de control.

- Compruebe si el área del condensador está limpia.
- Apague la unidad desde el panel de control y después enciéndala. Si el indicador parpadea de nuevo, póngase en contacto con el servicio certificado de fábrica de Sub-Zero.

OPERACIÓN DE LA UNIDAD

Las luces no funcionan o no enfría.

- Compruebe si la unidad está encendida.
- Compruebe que la alimentación eléctrica a la unidad y el interruptor de circuito de la casa estén encendidos.

Sin luces.

- La puerta tal vez se dejó abierta, lo cual desactivó las luces para eliminar el exceso de calor. Si las luces están apagadas, mantenga la puerta cerrada durante una hora. Si las luces aún permanecen apagadas, póngase en contacto con el servicio certificado de fábrica de Sub-Zero.
- La iluminación del gabinete debe reemplazarse por un servicio autorizado de fábrica de Sub-Zero.

Se forma condensación dentro de la unidad.

- Compruebe si el condensador está limpio.
- Compruebe si la puerta cierra correctamente.
- Compruebe que la puerta no se haya quedado abierta.
- Compruebe que el empaque de la puerta no tenga rasgaduras ni roturas. En tal caso, póngase en contacto con el servicio certificado de fábrica de Sub-Zero.

Altas temperaturas, la unidad funciona en exceso o la unidad emite demasiado calor.

- Compruebe si el condensador está limpio.
- Compruebe si la puerta cierra correctamente.
- Compruebe que la puerta no se haya quedado abierta.
- El aumento de la temperatura ambiente puede causar que el compresor funcione durante más tiempo.
- Si la pantalla muestra una temperatura de 45° y 55°, pero no enfría, es posible que la unidad esté en modo de sala de exposición. Póngase en contacto con la línea de atención al cliente de Sub-Zero en el 800-222-7820.

OLOR

- Debe limpiar la unidad antes de utilizarla por primera vez. Esto eliminará todos los olores que hayan quedado atrapados durante el envío.

Servicio

- Para mantener la calidad incorporada en su producto, póngase en contacto con el servicio certificado de fábrica de Sub-Zero. Para obtener los datos del centro de servicio autorizado de Sub-Zero más cercano, eche un vistazo a la sección de contacto y servicio técnico en nuestro sitio web, subzero.com o llame a la línea de atención al cliente de Sub-Zero al 800-222-7820.
- Al comunicarse con el servicio, necesitará el modelo y número de serie de su unidad. Los dos números también aparecen en la placa de datos del producto. Consulte la página 4 para encontrar la placa de datos.
- Para fines de la garantía, usted también necesitará la fecha de instalación y el nombre de su distribuidor autorizado de Sub-Zero. Esta información debe estar registrada en la página 3.

Garantía limitada de los productos Sub-Zero

PARA USO RESIDENCIAL SOLAMENTE

GARANTÍA COMPLETA DE DOS AÑOS*

Durante dos años a partir de la fecha de la instalación original, la garantía de su producto Sub-Zero cubre todas las partes y mano de obra para reparar o reemplazar, bajo el uso residencial normal, cualquier parte del producto que se compruebe estar defectuosa en material o mano de obra. Todos los servicios proporcionados por Sub-Zero bajo la garantía anterior deben ser ejecutados por servicios certificados de fábrica de Sub-Zero, a menos que Sub-Zero Inc. lo especifique de otra manera, el Servicio será proporcionado durante el horario comercial normal.

GARANTÍA COMPLETA DE CINCO AÑOS SOBRE EL SISTEMA CERRADO

Durante cinco años a partir de la fecha de la instalación original la garantía de su producto Sub-Zero cubre todas las partes y mano de obra para reparar o reemplazar, bajo el uso residencial normal, el compresor, condensador, evaporador, secador y todas las conexiones que se compruebe están defectuosas en material o mano de obra. Todos los servicios proporcionados por Sub-Zero bajo la garantía anterior deben ser ejecutados por servicios certificados de fábrica de Sub-Zero, a menos que Sub-Zero Inc. lo especifique de otra manera, el Servicio será proporcionado durante el horario comercial normal.

GARANTÍA LIMITADA DE DOCE AÑOS SOBRE EL SISTEMA CERRADO

Durante doce años a partir de la fecha de la instalación original la garantía de su producto Sub-Zero cubre todas las partes para reparar o reemplazar, bajo el uso residencial normal, el compresor, condensador, evaporador, secador y todas las conexiones que se compruebe están defectuosas en material o mano de obra.

TÉRMINOS APLICABLES A CADA GARANTÍA

La garantía se aplica solamente a los productos instalados para uso residencial normal. La garantía se aplica solamente a los productos instalados en cualquiera de los cincuenta estados de los Estados Unidos, el Distrito de Columbia o las diez provincias de Canadá. Esta garantía no cubre las partes o mano de obra para corregir cualquier defecto causado por negligencia, accidente o uso, mantenimiento, instalación, servicio o reparación inadecuados.

LOS RECURSOS DESCRITOS ANTERIORMENTE PARA CADA GARANTÍA SON LOS ÚNICOS QUE SUB-ZERO, INC. PROPORCIONARÁ, YA SEA BAJO ESTA GARANTÍA O BAJO CUALQUIER GARANTÍA QUE RESULTEN DE LA APLICACIÓN DE LA LEY. SUB-ZERO, INC. NO SE HACE RESPONSABLE POR LOS DAÑOS INDIRECTOS O INCIDENTALES DERIVADOS DE LA VIOLACIÓN DE ESTA GARANTÍA O CUALQUIER OTRA GARANTÍA, YA SEA EXPRESA, IMPLÍCITA O LEGAL.

Algunos estados no permiten la exclusión o limitación de daños incidentales o consecuentes, por lo tanto la limitación o exclusión anterior podrían no aplicarse en su caso. Esta garantía le otorga derechos legales específicos, y usted también puede tener otros derechos legales que varían entre estados.

Para recibir las partes y/o el servicio y el nombre del servicio certificado de fábrica de Sub-Zero más cercano a usted, póngase en contacto con Sub-Zero, Inc., P.O. Box 44848, Madison, WI 53744; eche un vistazo a la sección de contacto y servicio técnico en nuestro sitio web, subzero.com o llame al 800-222-7820.

*Las puertas, paneles, manijas, estructuras de acero inoxidable y superficies internas están cubiertas por una garantía de piezas y mano de obra limitada de 60 días por defectos cosméticos.

*Los filtros de agua de repuesto y los cartuchos de purificación de agua no están cubiertos por la garantía del producto.



Table des matières

- 4 Caractéristiques du cellier à vins
- 5 Commandes électroniques
- 6 Rangement
- 7 Fonctionnement
- 8 Conseils d'entretien
- 9 Dépannage
- 11 Garantie Sub-Zero

Service à la clientèle

Le numéro de modèle et le numéro de série sont imprimés sur la fiche d'enregistrement du produit ci-jointe. Les deux numéros sont aussi indiqués sur la plaque signalétique du produit. Reportez-vous à la page 4 pour connaître l'emplacement de la plaque signalétique. Pour les besoins de la garantie, vous devrez aussi avoir la date d'installation et le nom de votre dépositaire Sub-Zero autorisé. Inscrivez ces renseignements ci-dessous pour consultation ultérieure.

RENSEIGNEMENTS SUR LE SERVICE

| | |
|----------------------------|-------|
| Numéro de modèle | _____ |
| Numéro de série | _____ |
| Date de l'installation | _____ |
| Nom du service certifié | _____ |
| Numéro du service certifié | _____ |
| Dépositaire autorisé | _____ |
| Numéro du dépositaire | _____ |

Si votre produit a besoin d'être réparé, assurez-vous d'utiliser un fournisseur de service certifié par l'usine Sub-Zero recommandé par notre centre de service à la clientèle, ou sélectionnez-en un parmi la liste de fournisseurs disponibles à subzero.com/locator. Tous les fournisseurs de service certifiés par l'usine sont soigneusement sélectionnés et rigoureusement formés par nous.

Remarque importante

Pour s'assurer que ce produit est installé et utilisé en toute sécurité et aussi efficacement que possible, prenez note des types de renseignement mis en évidence tout au long de ce guide :

REMARQUE IMPORTANTE met en évidence des renseignements qui sont particulièrement importants.

MISE EN GARDE indique une situation où une blessure mineure ou des dommages au produit peuvent se produire si les directives ne sont pas respectées.

AVERTISSEMENT décrit un danger qui peut causer une blessure grave ou la mort si les précautions ne sont pas respectées.

REMARQUE IMPORTANTE : tout au long de ce guide, les dimensions entre parenthèses sont en millimètres à moins d'indication contraire.

▲ AVERTISSEMENT

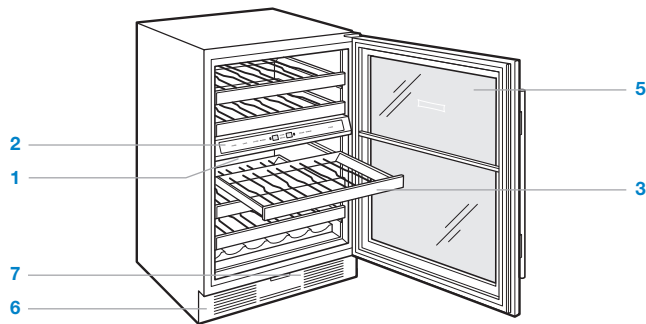
PROPOSITION 65 POUR RESIDENTS DE LA CALIFORNIE

Cancer et Troubles de l'appareil reproducteur—
www.P65Warnings.ca.gov

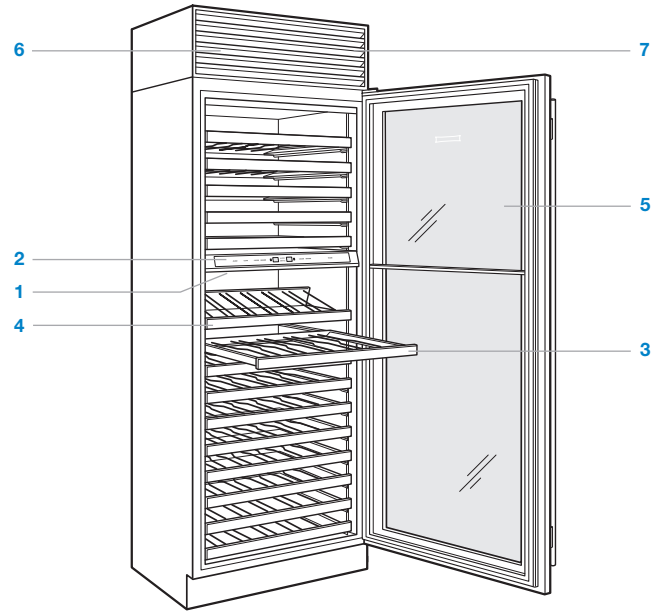
Caractéristiques du cellier à vins

CARACTÉRISTIQUES

| | |
|---|--|
| 1 | Plaque signalétique du produit |
| 2 | Panneau de commande électronique et affichage |
| 3 | Porte-bouteilles du cellier à vins |
| 4 | Porte-bouteille de présentation (Modèle BW-30) |
| 5 | Porte en verre à vue complète |
| 6 | Système d'alarme résidentiel |
| 7 | Condensateur (derrière la plaque de protection ou la grille) |



Modèle UW-24





Modèle BW-30

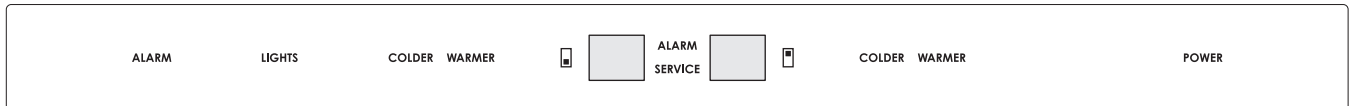
Panneau de commande

FONCTION

| | |
|---|--|
| ALARM (ALARME) | Active ou désactive l'alarme de température. Un signal sonore indique si la température se trouve en dessous de 32 °F (0 °C) ou 15 °F (8 °C) au-dessus de la température réglée. |
| LIGHTS (ÉCLAIRAGE) | Met en marche ou arrête l'éclairage d'appoint. |
| COLDER WARMER (PLUS FROID, PLUS CHAUD) | Règle la température dans des incréments d'un degré. Les deux zones de température distinctes ont des commandes de température séparées. Les températures sont pré-réglées à 45 °F (7 °C) et 55 °F (13 °C). |
| POWER (ALIMENTATION) | Met en marche ou arrête l'unité. Couper l'alimentation au niveau du panneau de commande élimine le besoin de débrancher ou de couper le courant avec le disjoncteur pendant tout service ou des vacances prolongées. |

INDICATEUR

| | |
|---|--|
|  | Indique la zone de température inférieure. |
|  | Indique la zone de température supérieure. |
| ALARM (ALARME) | Allume lorsque l'alarme de température est activée. |
| SERVICE | Allume quand un problème de température a été détectée, ou si le condensateur doit être nettoyé. |



Panneau de commande

Cellier à vins

PORTE-BOUTEILLES

Les porte-bouteilles à extension complète (extension de trois-quarts pour le modèle UW-24) permettent d'accéder facilement aux bouteilles de 750 ml, aux demi-bouteilles et aux magnums. Reportez-vous à l'illustration ci-dessous pour connaître la bonne disposition des bouteilles. Lorsque vous rangez des magnums, le porte-bouteille au-dessus doit être enlevé.

Pour retirer un porte-bouteille, tirez-le complètement, inclinez-le vers le haut, puis soulevez-le vers l'extérieur. Reportez-vous à l'illustration ci-dessous.

La façade en cerisier naturel sur les porte-bouteilles peut être remplacée par du bois s'ajoutant aux armoires. Pour de plus amples renseignements, reportez-vous au guide de conception Sub-Zero, visitez notre site Web à subzero.com ou communiquez avec le service à la clientèle de Sub-Zero au 800-222-7820.

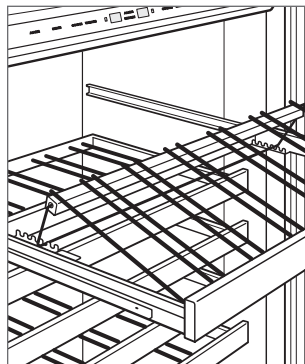
▲ MISE EN GARDE

Retirez toutes les bouteilles de vin du porte-bouteilles avant d'enlever ce dernier.

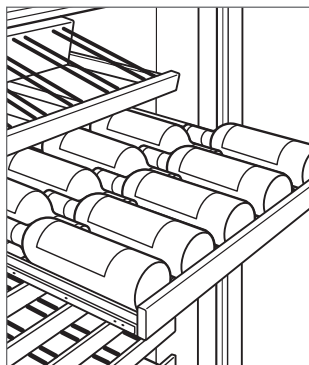
PORTE-BOUTEILLES DE PRÉSENTATION (MODÈLE BW-30)

Le porte-bouteilles de présentation réglable est conçu pour que le vin demeure en contact avec le bouchon quelle que soit la position. Reportez-vous à l'illustration ci-dessous.

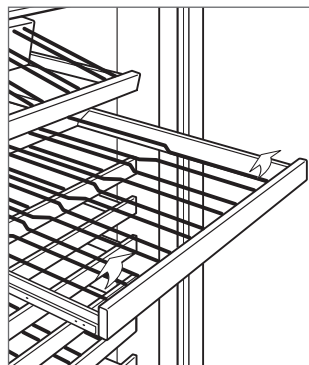
Pour retirer le porte-bouteilles de présentation, tirez-le complètement, inclinez-le vers le haut, puis soulevez-le vers l'extérieur.



Porte-bouteille de présentation



Disposition des bouteilles



Retrait d'un porte-bouteilles



Shabbat

Cet appareil est certifié par Star-K pour répondre à des règlements religieux rigoureux relativement à des directives précises se trouvant sur www.star-k.org.

Pour initier le mode Shabbat, pendant que l'unité est en marche, touchez à POWER (alimentation) sur le panneau de commande. Touchez et tenez la touche POWER pendant 10 secondes. Cela remettra l'unité en marche et désactivera les lumières. Pour retourner aux conditions de fonctionnement normales, touchez à POWER.

Nettoyage

NETTOYAGE INTÉRIEUR

Pour nettoyer les surfaces intérieures et toutes les pièces amovibles, lavez avec une solution douce de savon, d'eau et de bicarbonate de soude. Rincez et séchez à fond. Évitez de mettre de l'eau sur les lumières, le panneau de commande et la façade en cerisier sur les porte-bouteilles.

Utilisez un nettoyant pour verre standard pour nettoyer la porte en verre résistant aux UV.

▲ MISE EN GARDE

N'utilisez pas du vinaigre, de l'alcool à friction ou d'autres nettoyants à base d'alcool sur toute surface intérieure.

EXTÉRIEUR EN ACIER INOXYDABLE

Utilisez un nettoyant non abrasif pour l'acier inoxydable et appliquez-le avec un chiffon doux non pelucheux. Pour faire ressortir le lustre naturel, essuyez légèrement la surface avec un chiffon en microfibras humecté d'eau suivi d'un chamois à polir sec. Suivez toujours le grain de l'acier inoxydable.

NETTOYAGE DU CONDENSATEUR

▲ MISE EN GARDE

Avant de nettoyer le condensateur, coupez l'alimentation sur le panneau de commande. Portez des gants pour éviter toute blessure causée par les ailettes tranchantes du condensateur.

Modèles UW-24 et UW-24FS: Le condensateur est situé au fond de l'unité, derrière la plaque de protection. Pour y accéder, retirez la plaque de protection. Reportez-vous à l'illustration ci-dessous.

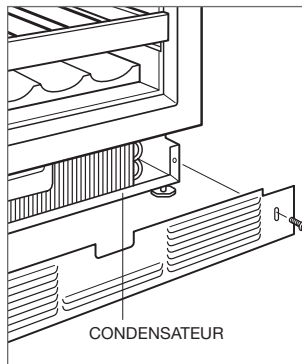
Modèle BW-30: Le condensateur est situé derrière la grille rabattable. Pour y accéder, tirez le rebord inférieur de la grille vers l'extérieur et tournez-le vers le haut. Reportez-vous à l'illustration ci-dessous.

Utilisez une brosse à soie souple et un aspirateur pour éliminer la poussière et les peluches de la zone du condensateur. Nettoyez le condenseur tous les 6 à 12 mois.

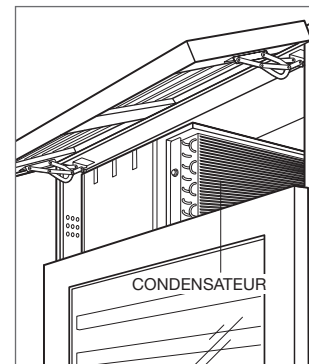
REMARQUE IMPORTANTE : pour éviter d'endommager le condensateur, passez l'aspirateur dans la direction des ailettes.

▲ MISE EN GARDE

L'omission de nettoyer le condensateur pourrait entraîner une perte de température, une défaillance mécanique ou des dommages.



Modèles UW-24 et UW-24FS



Modèle BW-30

Dépannage

INDICATEUR DE SERVICE

Le mot « SERVICE » clignote sur l'affichage du panneau de commande.

- Assurez-vous que le condensateur est propre.
- Éteignez l'unité sur le panneau de commande, puis remettez-la en marche. Si l'indicateur continue de clignoter, communiquez avec un centre de service certifié par l'usine Sub-Zero.

FONCTIONNEMENT DE L'UNITÉ

Pas de lumière ou de refroidissement.

- Assurez-vous que l'unité est sous tension.
- Vérifiez l'alimentation électrique vers l'unité et que le disjoncteur de la résidence est en marche.

Pas de lumière.

- La porte peut avoir été laissée entrouverte, ce qui a désactivé les lumières pour éliminer l'excédent de chaleur. Si les lumières sont éteintes, fermez la porte pendant une heure. Si les lumières sont toujours éteintes, communiquez avec le service certifié par l'usine Sub-Zero.
- L'éclairage de l'armoire doit être remplacé par le service certifié par l'usine Sub-Zero.

De la condensation se forme à l'intérieur de l'unité.

- Assurez-vous que le condensateur est propre.
- Assurez-vous que la porte se ferme correctement.
- Assurez-vous que la porte n'ait pas été laissée entrouverte.
- Vérifiez que le joint de la porte n'ait pas de coupures ou déchirures. Le cas échéant, communiquez avec le service certifié par l'usine Sub-Zero.

Températures élevées, l'unité fonctionne de façon excessive ou émet trop de chaleur.

- Assurez-vous que le condensateur est propre.
- Assurez-vous que la porte se ferme correctement.
- Assurez-vous que la porte n'ait pas été laissée entrouverte.
- Des températures ambiantes élevées peuvent faire fonctionner les compresseurs plus longtemps.
- Si l'affichage de température indique 45° et 55°, mais ne refroidit pas, l'unité peut se trouver en mode de salle d'exposition. Communiquez avec le service à la clientèle de Sub-Zero à 800-222-7820.

ODEUR

- L'unité doit être nettoyée avant de l'utiliser la première fois. Cela éliminera les odeurs qui ont pu être captées lors de l'expédition.

Service

- Préservez la qualité intégrée dans votre produit en communiquant avec un service certifié par l'usine Sub-Zero. Pour obtenir le nom du centre de service Sub-Zero certifié par l'usine le plus près de chez vous, consultez la section Contact et assistance de notre site Web, subzero.com ou appelez le service à la clientèle de Sub-Zero au 800-222-7820.
- Avant d'appeler pour obtenir du service, ayez en main les numéros de modèle et de série de votre unité. Les deux numéros sont indiqués sur la plaque signalétique du produit. Reportez-vous à la page 4 pour connaître l'emplacement de la plaque signalétique.
- Pour les besoins de la garantie, vous devrez aussi avoir la date d'installation et le nom de votre dépositaire Sub-Zero autorisé. Ces renseignements doivent être notés à la page 3.

Garantie limitée des produits Sub-Zero

POUR UNE UTILISATION RÉSIDENIELLE SEULEMENT

GARANTIE COMPLÈTE DE DEUX ANS*

Pendant deux ans à compter de la date d'installation originale, votre garantie de produit Sub-Zero couvre toutes les pièces et la main d'œuvre pour réparer ou remplacer, selon un usage résidentiel normal, toute partie du produit qui s'avèrerait défectueuse en vertu des matériaux ou de la fabrication. Le service fourni par Sub-Zero en vertu de la garantie ci-dessus doit être effectué par un centre de service Sub-Zero certifié par l'usine, à moins d'être précisé autrement par Sub-Zero, Inc. Le service sera fourni pendant les heures normales d'ouverture.

GARANTIE COMPLÈTE DE CINQ ANS SUR LE SYSTÈME SCELLÉ

Pendant cinq ans à compter de la date d'installation originale, votre garantie de produit Sub-Zero couvre toutes les pièces et la main d'œuvre pour réparer ou remplacer, selon un usage résidentiel normal, le compresseur, le condensateur, l'évaporateur, le séchoir et tous les tuyaux de connexion qui s'avèreraient défectueux en vertu des matériaux ou de la fabrication. Le service fourni par Sub-Zero en vertu de la garantie ci-dessus doit être effectué par un centre de service Sub-Zero certifié par l'usine, à moins d'être précisé autrement par Sub-Zero, Inc. Le service sera fourni pendant les heures normales d'ouverture.

GARANTIE LIMITÉE DE DOUZE ANS SUR LE SYSTÈME SCELLÉ

Pendant douze ans à compter de la date d'installation originale, votre garantie de produit Sub-Zero couvre toutes les pièces pour réparer ou remplacer, selon un usage résidentiel normal, le compresseur, le condensateur, l'évaporateur, le séchoir et tous les tuyaux de connexion qui s'avèreraient défectueux en vertu des matériaux ou de la fabrication.

CONDITIONS S'APPLIQUANT À CHAQUE GARANTIE

La garantie s'applique uniquement aux produits installés pour un usage résidentiel normal. La garantie s'applique seulement aux produits installés dans l'un des cinquante états des États-Unis, dans le District of Columbia ou les dix provinces du Canada. Cette garantie ne couvre pas les pièces ou la main d'œuvre pour corriger tout défaut causé par de la négligence, un accident ou une utilisation, un entretien, une installation, un service ou une réparation inappropriés.

LES REMÈDES DÉCRITS CI-DESSUS POUR CHAQUE GARANTIE SONT LES SEULS OFFERTS PAR SUB-ZERO, INC. EN VERTU DE CETTE GARANTIE OU DE TOUTE GARANTIE DÉCOULANT DE L'OPÉRATION DE LA LOI. SUB-ZERO, INC. NE SERA PAS RESPONSABLE DES DOMMAGES INDIRECTS OU CONSÉCUTIFS ISSUS DE LA VIOLATION DE CETTE GARANTIE OU DE TOUTE AUTRE GARANTIE, EXPRESSE, IMPLICITE OU LÉGALE.

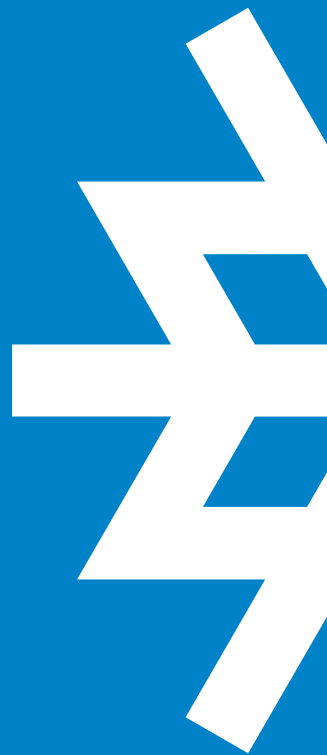
Certaines provinces ne permettent pas l'exclusion ou la restriction des dommages indirects ou consécutifs, par conséquent, la limite ou l'exclusion ci-dessus peut ne pas s'appliquer à votre cas. Cette garantie vous confère des droits légaux précis et vous pouvez aussi avoir d'autres droits légaux qui peuvent varier d'une province à l'autre.

Pour obtenir des pièces et/ou du service et le nom du centre de service Sub-Zero certifié par l'usine le plus près de chez vous, communiquez avec Sub-Zero, Inc., P.O. Box 44848, Madison Wisconsin, 53744 É.-U.; vérifiez la section Contact et assistance de notre site Web, subzero.com, ou composez le 800-222-7820.

*Les portes, les panneaux, les poignées, les cadres et les surfaces intérieures en acier inoxydable du produit sont couverts par une garantie limitée de 60 jours sur les pièces et la main d'œuvre pour toute défectuosité cosmétique.

*Les cartouches du filtre à eau et de purification d'air de rechange ne sont pas couvertes par la garantie du produit.





SUB-ZERO, INC. P.O. BOX 44848 MADISON, WI 53744 SUBZERO.COM 800.222.7820

9006311 REV-C

6/2019

