

UC-24RO



FEATURES

Controls temperature within one degree of setpoint

Locks in cold air to ensure freshness with magnetic door seals

Control brightness of interior

Gain storage flexibility with one stationary and two adjustable shelves

Locate items quickly with clear storage bin

ACCESSORIES

Dual Installation Kit

Accessories are available through an authorized dealer.
For local dealer information, visit subzero-wolf.com/locator.



PRODUCT DETAILS

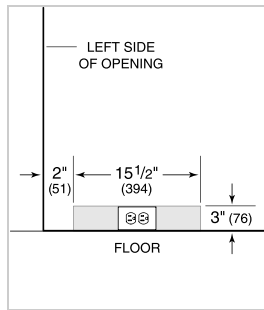
REFRIGERATOR

- 3 glass shelves (2 adjustable; 1 stationary)
- 2 door bins
- 1 storage bin

PRODUCT SPECIFICATIONS

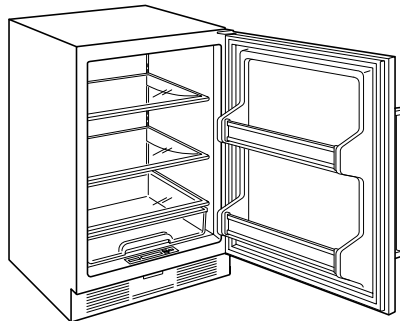
Model	UC-24RO
Dimensions	23 7/8"W x 34"H x 24"D
Door Clearance	25 3/8"
Weight	130 lbs
Refrigerator Capacity	5.7 cu. ft.
Electrical Supply	115 VAC, 60 Hz
Electrical Service	15 amp dedicated circuit
Receptacle	3-prong grounding-type, GFCI

ELECTRICAL



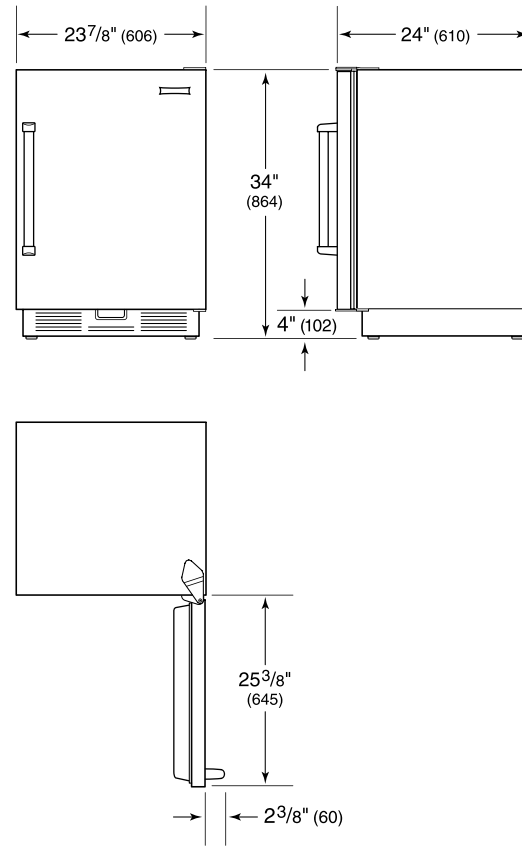
NOTE: Dimensions in parenthesis are in millimeters unless otherwise specified

INTERIOR VIEW

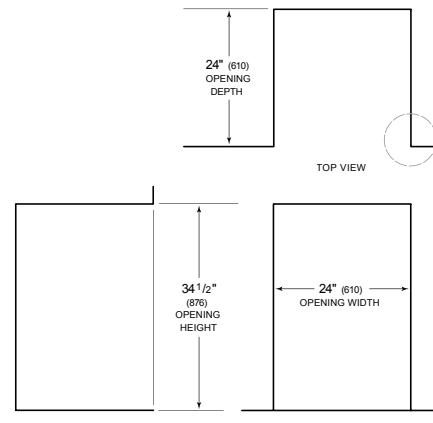


This illustration is intended for interior reference only and may not represent the exterior of the model being specified.

DIMENSIONS



STANDARD INSTALLATION



NOTE: 3 1/2" (89) finished returns will be visible and should be finished to match cabin

