



Wine Storage Installation Guide



Contents

- 3 Wine Storage
- 4 Model UW-24 / UW-24FS Site Preparation
- 6 Model UW-24 / UW-24FS Installation
- 10 Model BW-30 Site Preparation
- 16 Model BW-30 Installation

Features and specifications are subject to change at any time without notice. Visit subzero.com/specs for the most up-to-date information.

Important Note

To ensure this product is installed and operated as safely and efficiently as possible, take note of the following types of highlighted information throughout this guide:

IMPORTANT NOTE highlights information that is especially important.

CAUTION indicates a situation where minor injury or product damage may occur if instructions are not followed.

WARNING states a hazard that may cause serious injury or death if precautions are not followed.

IMPORTANT NOTE: Throughout this guide, dimensions in parentheses are millimeters unless otherwise specified.

IMPORTANT NOTE: Save these instructions for the local electrical inspector.

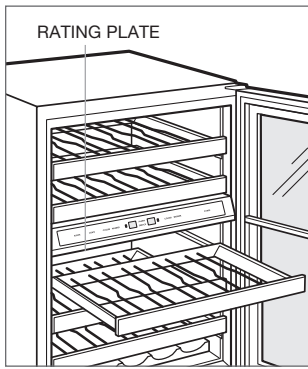
Product Information

Important product information including the model and serial number are listed on the product rating plate. The rating plate is located on the underside of the control panel, on the left. Refer to the illustrations below.

If service is necessary, contact Sub-Zero factory certified service with the model and serial number. For the name of the nearest Sub-Zero factory certified service or for questions regarding the installation, visit the contact & support section of our website, subzero.com or call Sub-Zero customer care at 800-222-7820.

Tools and Materials

- Screwdrivers—standard, Phillips and Torx.
- Power drill.
- Drill bits (masonry bits required for concrete installation).
- Standard socket and wrench set.
- 2' and 4' levels.
- Material to protect home, flooring and cabinetry during installation.



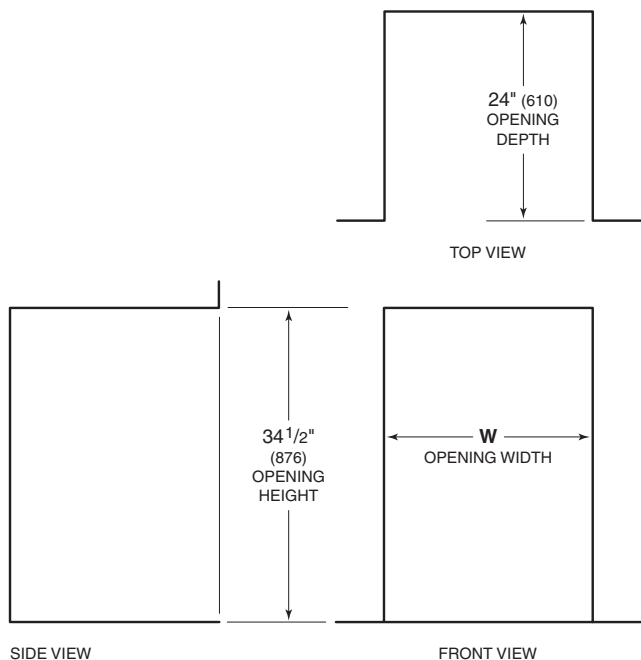
Models UW-24 and UW-24FS.



Model BW-30.

Opening Dimensions

MODEL UW-24



OPENING WIDTH	W
UW-24	24" (610)

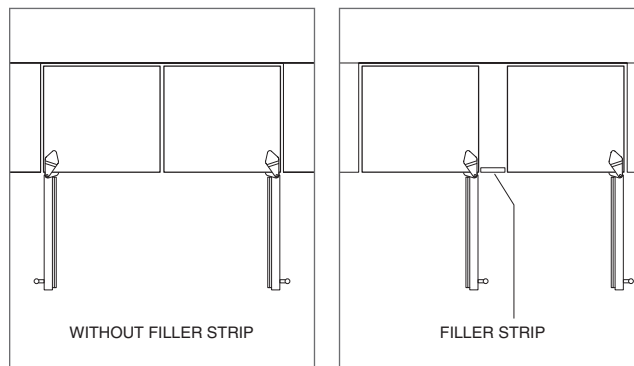
DUAL OPENING WIDTH	W
Two 24" (610) Models	48 1/8" (1222)

Dual installation kit required.

DUAL INSTALLATION

If two units are installed side by side, a dual installation kit may be required. Installations without a custom filler strip require a dual installation kit. If a dual installation kit is not specified, a 2" (51) filler strip is recommended between units. Dual installations without a filler strip can only be accomplished using two units with opposite hinges. Refer to the illustrations below.

Dual installation kits are available through an authorized Sub-Zero dealer. For local dealer information, visit the find a showroom section of our website, subzero.com. For questions regarding the installation, call Sub-Zero customer care at 800-222-7820.



Opposite hinges.

Same side hinges.

Electrical

Installation must comply with all applicable electrical codes.

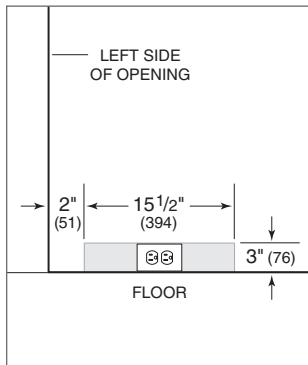
The electrical supply should be located within the shaded area shown in the illustration below. A separate circuit, servicing only this appliance is required. A ground fault circuit interrupter (GFCI) is not recommended and may cause interruption of operation.

IMPORTANT NOTE: The electrical outlet must be placed so the grounding prong is to the right of the thinner blades. The outlet must be flush with the back wall.

ELECTRICAL REQUIREMENTS	
Electrical Supply	115 VAC, 60 Hz
Service	15 amp
Receptacle	3-prong grounding-type

⚠ WARNING

Do not use an extension cord, two-prong adapter or remove the power cord ground prong.



Electrical supply location.

Preparation

To operate properly, the door must open a minimum of 90°. Use a minimum 3" (76) filler in corner installations to assure a 90° door opening.

Uncrate the unit and inspect for damage. Remove and recycle packing materials. Do not discard the kickplate, anti-tip bracket, hardware and the leveling legs which hold the wood base to the bottom of the unit.

Anti-Tip Bracket

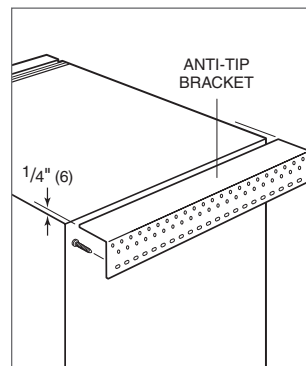
⚠ WARNING

To prevent the unit from tipping forward, the anti-tip bracket must be installed.

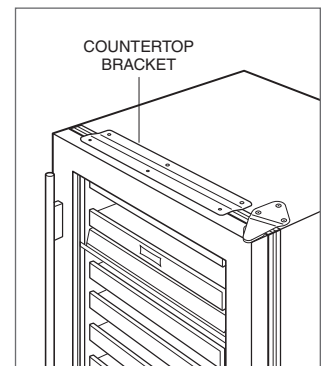
MODEL UW-24

The anti-tip bracket should be attached to the wall behind the unit with the bracket flange located 1/4" (6) above the top of the unit. Refer to the illustration below. Failure to properly position the anti-tip bracket will prevent proper engagement.

For installations that cannot accommodate the anti-tip bracket, a countertop bracket is provided to secure the unit to the countertop. Refer to the illustration below.



Anti-tip bracket (UW-24).

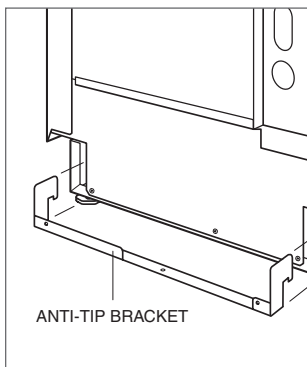


Countertop bracket.

Anti-Tip Bracket

MODEL UW-24FS

The back of the anti-tip bracket must be installed $24\frac{5}{8}$ " (625) from the front and centered behind the unit. Refer to the illustration below. Refer to page 16 for wood and concrete floor applications.



Anti-tip bracket (UW-24FS).

Custom Panel

MODEL UW-24

For overlay applications, a custom door panel must be installed. Panel size is critical for a proper fit. To verify panel requirements and dimensions, refer to the Sub-Zero design guide at subzero.com/specs.

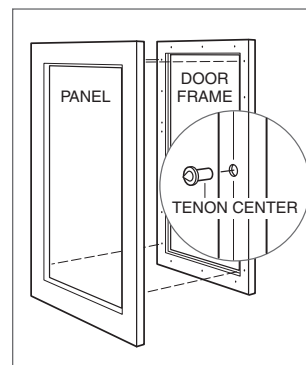
Finish all sides of the custom panel. They may be visible when the door is open or through the glass door.

The custom overlay door panel is attached using screws provided, through the door frame. Screw locations are marked on the back of the custom panel using tenon centers inserted into holes of the door frame.

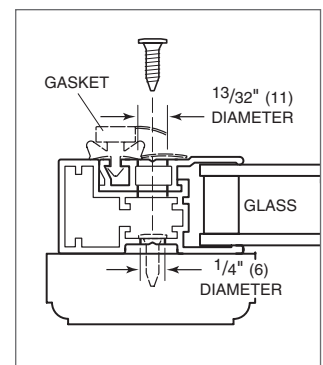
With the unit secured and door closed, hold the custom panel in desired position on the door. Lightly tap the front of the panel to locate mounting positions. Remove tenon centers. Refer to the illustration below.

The door frame has mounting holes to accommodate Sub-Zero accessory handles. If handle mounting holes are not utilized, the handle should be attached to the custom panel prior to mounting. Screw heads may need to be countersunk into the panel for proper alignment.

To mount the custom panel, open the door and use pre-drilled holes to position the panel. Drive screws into the panel through black tape on the door frame. Screw holes are hidden behind the door gasket. Use as many screws as necessary to secure the custom panel. Refer to the illustration below.



Tenon center.



Door frame cross section.

Custom Panel

Adjustments can be made to the custom panel with a few mounting screws in place, but not fully tightened. Once the proper position is achieved, install and secure all screws.

Cover holes on the inside of the door frame with the cover patches or plugs provided.

⚠ CAUTION

A solid panel cannot be installed over the glass door. A solid door is available through an authorized Sub-Zero dealer. For local dealer information, visit the find a showroom section of our website, subzero.com.

Placement

⚠ CAUTION

Before moving the unit into position, secure the door closed and protect any finished flooring.

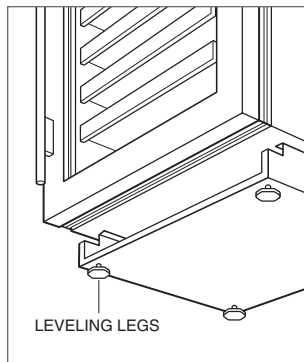
Use an appliance dolly to move the unit near the opening.

If the unit has been on its back or side, it must stand upright for a minimum of 24 hours before connecting power.

If the unit will be connected to a home security system, run lead wires through the compressor compartment prior to positioning the unit. Refer to page 8. Once the unit is in position, wiring connection can be completed from the front.

Leveling

Level the unit before sliding it into position. Turn each of the four leveling legs clockwise to raise the unit and counter-clockwise to lower. Refer to the illustration below.



Leveling.

Completion

Plug the power cord into the grounded outlet, then slide the unit into position. Verify the anti-tip bracket is properly engaged.

It may be necessary to install the unit $\frac{1}{4}$ " (6) beyond the front surface of adjacent cabinetry, to prevent interference when the door is opened to 145°. Refer to the full-scale template on page 9.

HOME SECURITY CONNECTION

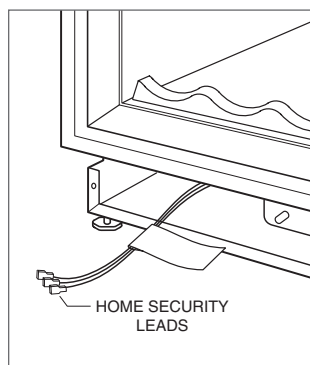
If the unit will be connected to a home security system, make connections to the leads shown in the illustration below. Refer to the following color codes:

- Normally open contacts—white with red stripe wire.
- Normally closed contacts—white with blue stripe wire.
- Common—gray with white stripe wire.

Use the spade terminals or wire nuts provided to make proper wiring connections.

⚠ CAUTION

The alarm circuit in the unit is intended as a low-voltage, low-current device only. It should not be used to switch line power. Any unused terminals should be completely insulated and all wires should be secured away from conductive or moving components.



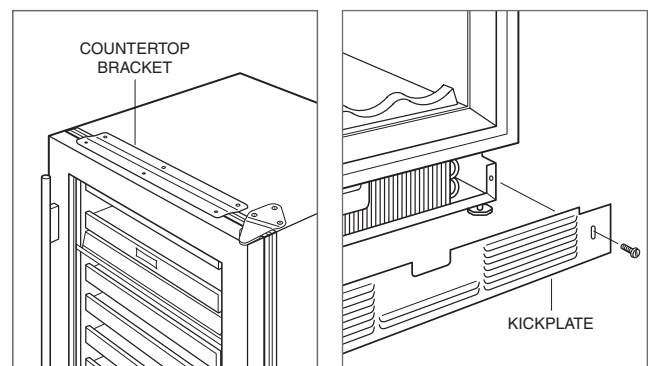
Home security connection.

ANCHORING

To anchor, use the countertop bracket provided to secure the unit to the underside of the countertop. Refer to the illustration below. If the countertop bracket can not be utilized, install shims along the top and sides of the unit.

KICKPLATE INSTALLATION

Install the kickplate using the two screws provided. Refer to the illustration below. The kickplate must be removable for service. The floor cannot interfere with removal. Do not cover the louvered section of the kickplate.



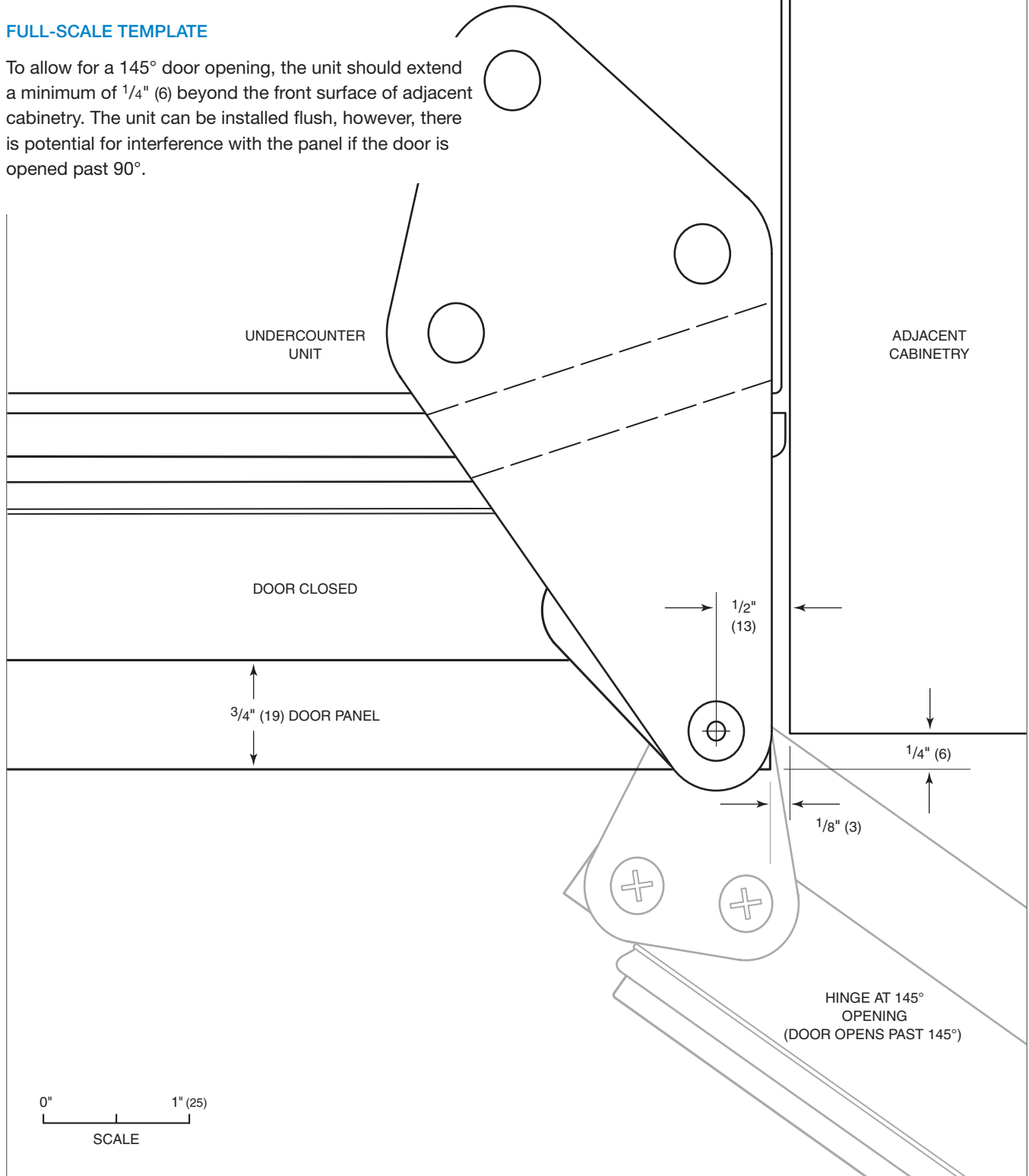
Anchoring.

Kickplate installation.

Door Clearance

FULL-SCALE TEMPLATE

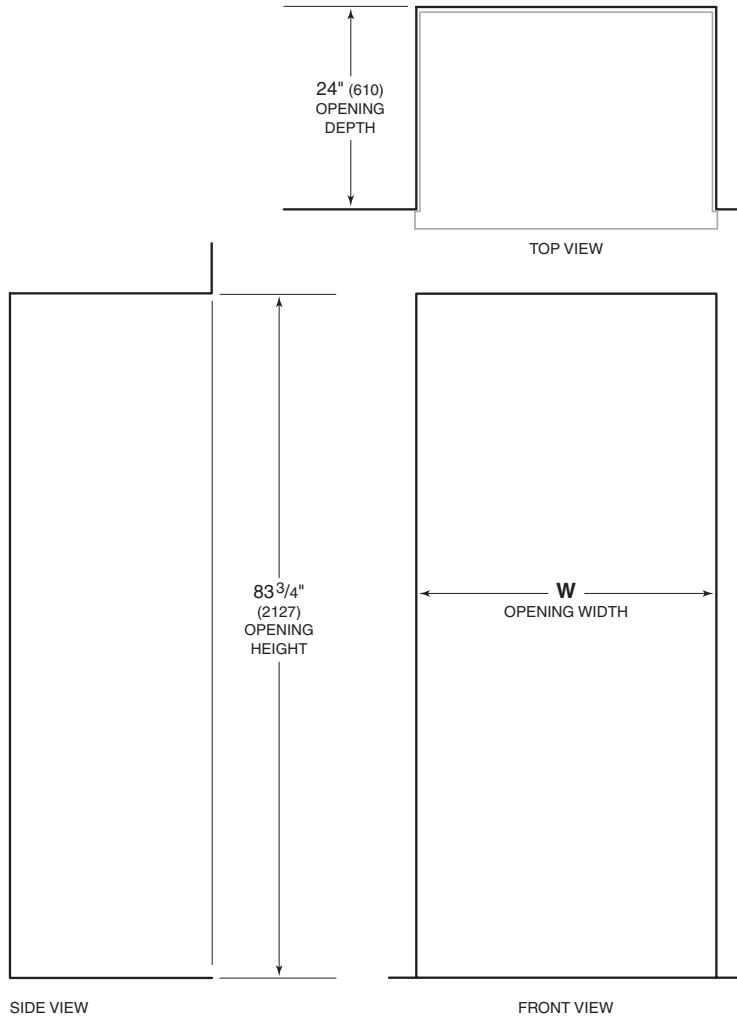
To allow for a 145° door opening, the unit should extend a minimum of 1/4" (6) beyond the front surface of adjacent cabinetry. The unit can be installed flush, however, there is potential for interference with the panel if the door is opened past 90°.



145° door opening (top view).

Opening Dimensions

STANDARD INSTALLATION



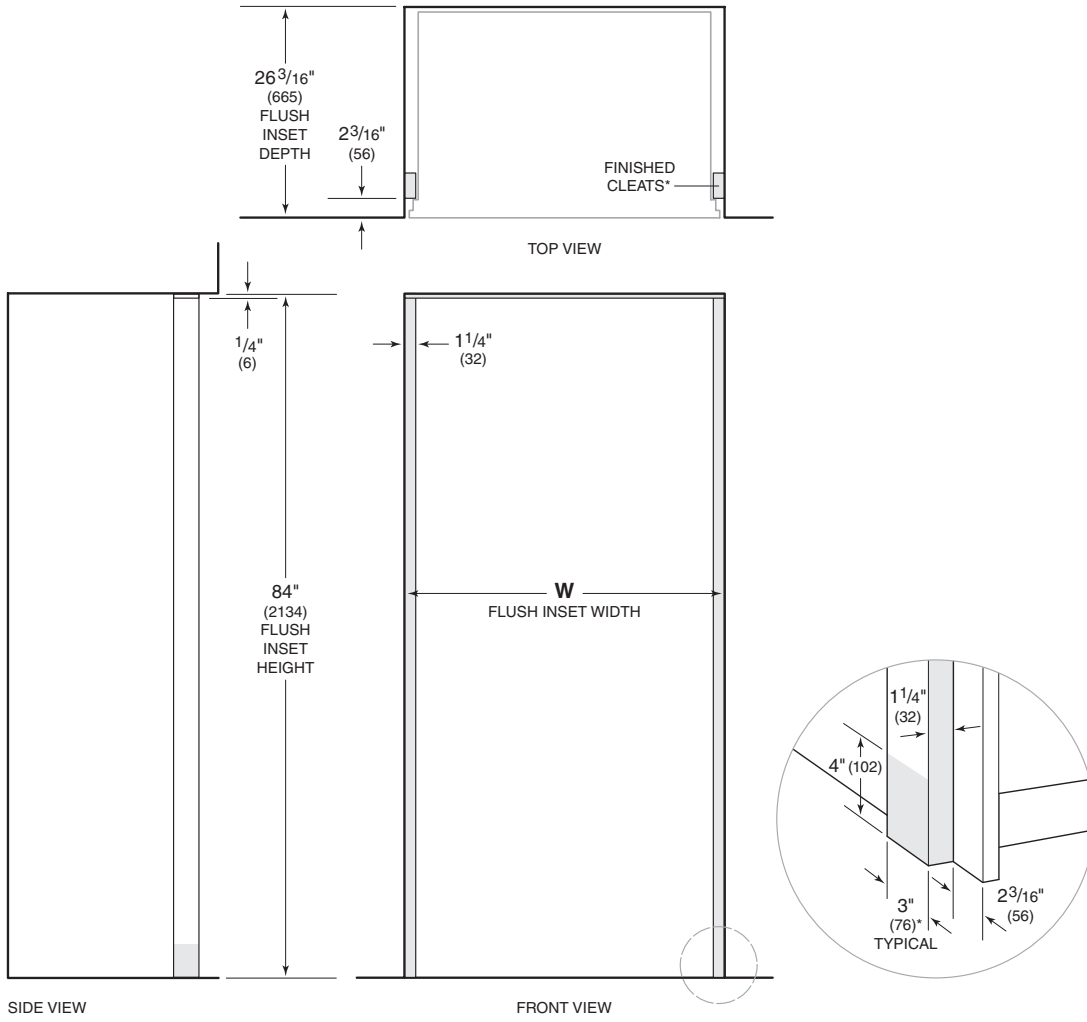
NOTE: Shaded line represents profile of unit.

OPENING WIDTH	W
BW-30	29 1/2" (749)

If two units are installed side by side, refer to page 12.

Opening Dimensions

FLUSH INSET INSTALLATION



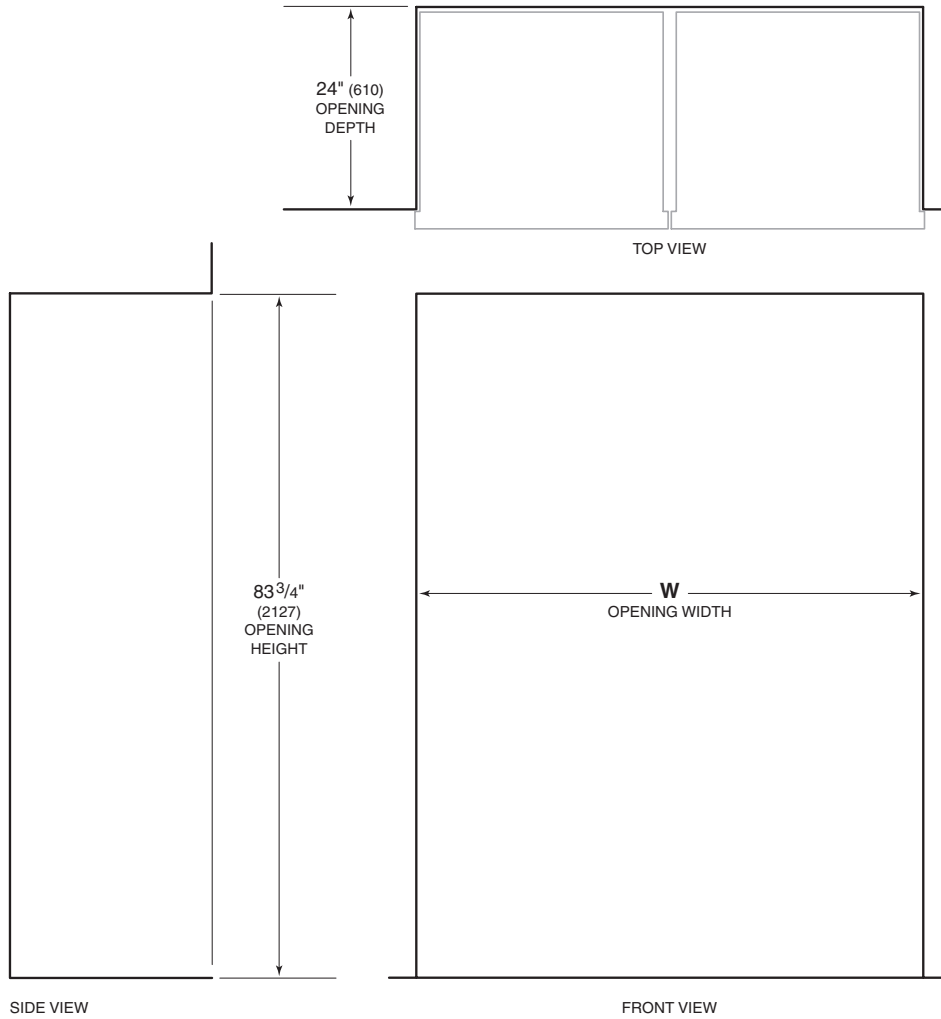
*3" (76) typical depth. Shaded areas will be visible and should be finished to match cabinetry.
 NOTE: Shaded line represents profile of unit with $\frac{3}{4}$ " (19) panel.

FLUSH INSET WIDTH	W
BW-30	32" (813)

Dimensions assume a $\frac{3}{4}$ " (19) panel thickness. If two units are installed side by side, refer to page 13.

Opening Dimensions

DUAL STANDARD INSTALLATION



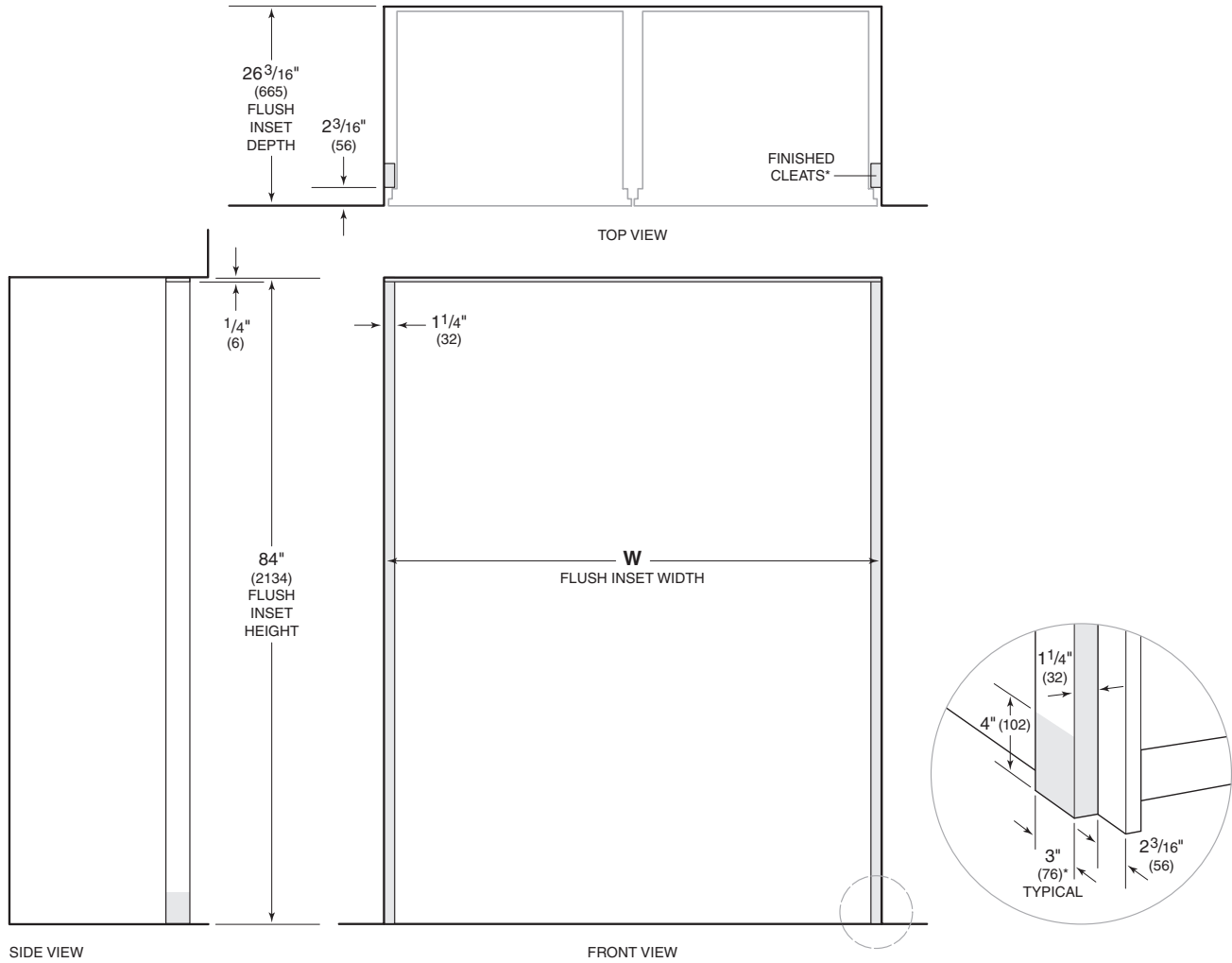
NOTE: Shaded line represents profile of unit.

DUAL OPENING WIDTH	W
BW-30 and 30" Built-In Model	59 3/4" (1518)
BW-30 and 36" Built-In Model	65 3/4" (1670)

A dual installation kit will be required for this installation.

Opening Dimensions

DUAL FLUSH INSET INSTALLATION



*3" (76) typical depth. Shaded areas will be visible and should be finished to match cabinetry.
 NOTE: Shaded line represents profile of unit with $\frac{3}{4}$ " (19) panel.

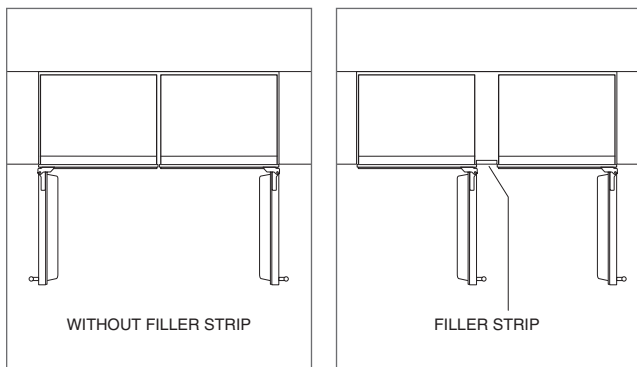
DUAL FLUSH INSET WIDTH	W
BW-30 and 30" Built-In Model	62 $\frac{1}{4}$ " (1581)
BW-30 and 36" Built-In Model	68 $\frac{1}{4}$ " (1734)

Dimensions assume a $\frac{3}{4}$ " (19) panel thickness. A dual installation kit will be required for this installation.

Dual Installation

If two units are installed side by side, a dual installation kit may be required. Installations without a custom filler strip require a dual installation kit. If a dual installation kit is not specified, a 2" (51) filler strip is recommended between units. Dual installations without a filler strip can only be accomplished using two units with opposite hinges. Refer to the illustrations below.

Dual installation kits are available through an authorized Sub-Zero dealer. For local dealer information, visit the find a showroom section of our website, subzero.com. For questions regarding the installation, call Sub-Zero customer care at 800-222-7820.



Opposite hinges.

Same side hinges.

Electrical

Installation must comply with all applicable electrical codes.

The electrical supply should be located within the shaded area shown in the illustration below. A separate circuit, servicing only this appliance is required. A ground fault circuit interrupter (GFCI) is not recommended and may cause interruption of operation.

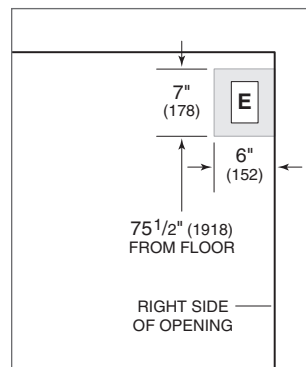
ELECTRICAL REQUIREMENTS	
Electrical Supply	115 VAC, 60 Hz
Service	15 amp
Receptacle	3-prong grounding-type

⚠ CAUTION

The outlet must be checked by a qualified electrician to be sure that it is wired with the correct polarity. Verify that the outlet is properly grounded.

⚠ WARNING

Do not use an extension cord, two-prong adapter or remove the power cord ground prong.



Electrical supply location.

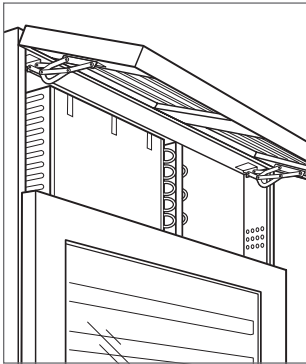
Preparation

Uncrate the unit and inspect for damage. Remove the wood base and discard shipping bolts and brackets. Remove and recycle packing materials. Do not discard the kickplate, anti-tip brackets and hardware.

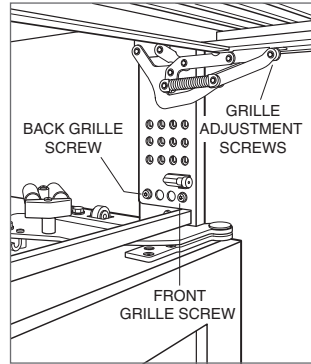
Completely retract the front leveling legs to allow the unit to be moved into position. The front and rear leveling legs can be adjusted from the front once the unit is in position.

Remove the drain pan to avoid damage, and allow for proper appliance dolly placement.

The grille assembly should be removed prior to moving the unit. To remove, pull out on the bottom edge of the grille and rotate upward. Loosen the two back grille mounting screws and remove the two front grille mounting screws. With the grille held firmly, pull forward to remove. Refer to the illustrations below.



Grille removal.



Grille mounting screws.

Anti-Tip Bracket

▲ WARNING

To prevent the unit from tipping forward, the anti-tip brackets must be installed.

The two anti-tip brackets must be installed exactly 24" (610) from the front of the opening to the back of the brackets and a minimum of 4" (102) from the sides of the opening. This depth will increase to 26³/₁₆" (665) for a flush inset installation, based on ³/₄" (19) thick panels. Failure to properly position the anti-tip brackets will prevent proper engagement.

Use all anti-tip bracket hardware as instructed for wood or concrete floors.

IMPORTANT NOTE: For wood or concrete floor applications, if the #12 screws do not hit a wall stud or wall plate, use the #8 screws and #12 washers with the wall anchors.

IMPORTANT NOTE: In some installations the subflooring or finished floor may necessitate angling the screws used to fasten the anti-tip brackets to the back wall.

ANTI-TIP HARDWARE

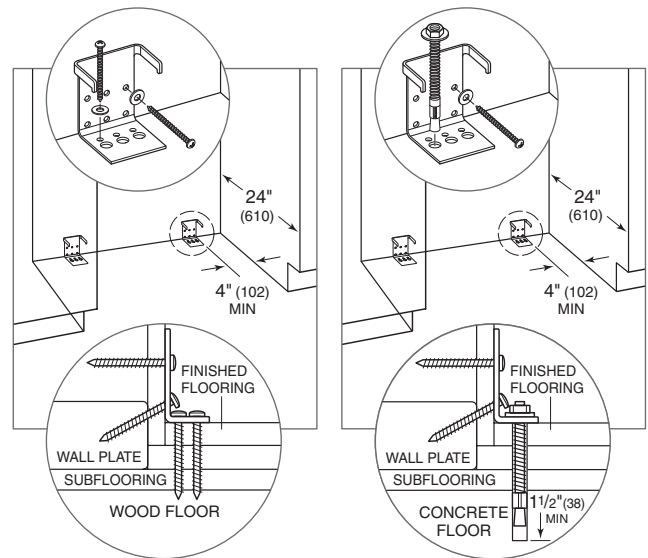
2	Anti-tip brackets
12	#12 x 2 ¹ / ₂ " pan head screws
4	³ / ₈ "-16 x 3 ³ / ₄ " wedge anchors
12	#12 flat washers
4	#8-18 x 1 ¹ / ₄ " truss head screws
4	Nylon Zip-it® wall anchors

WOOD FLOOR

After properly locating the anti-tip brackets in the opening, drill pilot holes ³/₁₆" (5) diameter maximum in the wall studs or wall plate. Use the #12 screws and washers to secure the brackets. Verify the screws penetrate through the flooring material and into wall studs or wall plate a minimum of ³/₄" (19). Refer to the illustration below.

CONCRETE FLOOR

After properly locating the anti-tip brackets in the opening, drill pilot holes ³/₁₆" (5) diameter maximum in the wall studs or wall plate. Drill ³/₈" (10) diameter holes into the concrete a minimum of 1¹/₂" (38) deep. Use the #12 screws and washers to secure the brackets to the wall, and use the ³/₈" wedge anchors to secure the brackets to the floor. Verify the screws penetrate wall studs or wall plate a minimum of ³/₄" (19). Refer to the illustration below.



Wood floor.

Concrete floor.

Anti-Tip Bracket

CONCRETE WEDGE ANCHOR INSTALLATION

- 1 Drill a 3/8" (10) diameter hole any depth exceeding the minimum embedment. Clean the hole or drill additional depth to accommodate drill fines.
- 2 Assemble the washer and nut flush with the end of anchor to protect threads. Drive the anchor through the material to be fastened until the washer is flush with the surface material.
- 3 Expand the anchor by tightening the nut 3–5 turns past hand-tight position or to 25 ft-lb of torque.

▲ WARNING

Verify there are no electrical wires or plumbing in the area which the screws could penetrate.

▲ CAUTION

Always wear safety glasses and use other necessary protective devices or apparel when installing or working with anchors.

Anchors are not recommended for use in lightweight masonry material such as block or brick, or for use in new concrete which has not had sufficient time to cure. The use of core drills is not recommended to drill holes for the anchors.

Custom Panels

For overlay and flush inset applications, custom door and grille panels must be installed. Panel size is critical for a proper fit. To verify panel requirements and dimensions, refer to the Sub-Zero design guide at subzero.com/specs.

IMPORTANT NOTE: Flush inset applications require a minimum 1/2" (13) reveal on all sides.

Finish all sides of the custom panel. They may be visible when the door is open or through the glass door.

▲ CAUTION

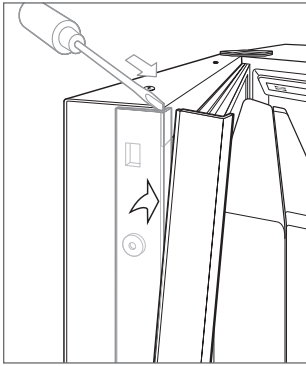
A solid panel cannot be installed over the glass door.

Panel Installation

DOOR PANEL

To install the custom door panel, remove the handle side trim molding. Insert a screwdriver tip into the top corner slot on the handle side and pop out the trim. Remove the screws and frame. Refer to the illustration below.

The door has a 1/4" (6) frame for the custom panel to slide into. If the panel is thicker than a 1/4" (6), rout an edge around the panel or mount the panel on a sheet of 1/4" (6) thick material, then insert into the frame.



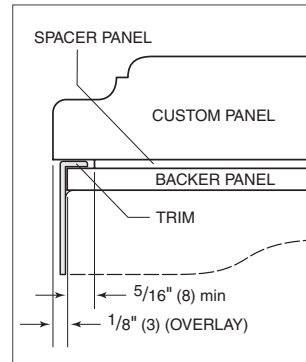
Door side trim.

A .10" (3) space is required between the backer panel and the custom panel to allow the panel to slide into the door frame. Refer to the illustrations below for critical dimensions.

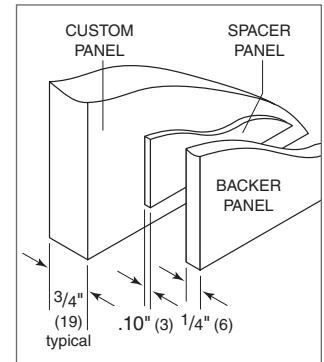
Install handle hardware before inserting the panel. Large D-style handles are recommended rather than knobs. Screw heads must be countersunk into the panel.

Slide the panel into the frame.

To reinstall the door trim molding, insert the top of the trim into grooves at the top of the door and work downward, snapping the trim into clips on the door frame.



Panel assembly cross section (overlay).



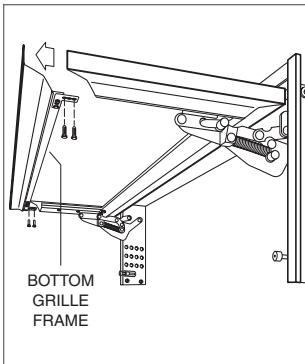
Panel assembly rear view.

Panel Installation

GRILLE PANEL

Remove the bottom grille frame by extracting the lower two corner screws from each side of the grille assembly. Refer to the illustration below.

With the bottom section removed, slide the custom grille panel into the frame. If the panel is thinner than 1/4" (6), a filler material will need to be installed to achieve a proper fit. Once the panel is installed, reattach the bottom grille frame by sliding the corner brackets back into position, then reinstall the four corner screws.



Grille frame assembly.

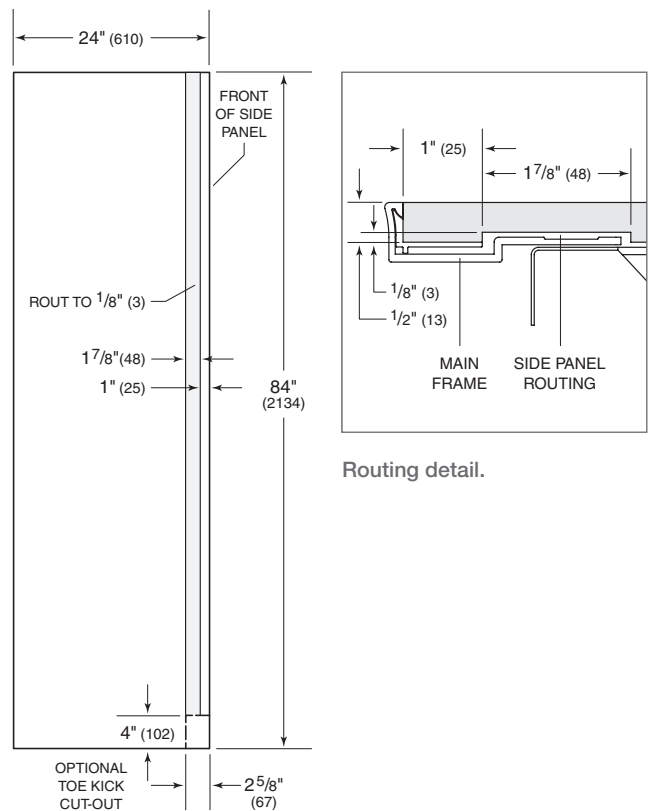
SIDE PANEL

When installing a custom side panel, an accessory kit is required and is available through an authorized Sub-Zero dealer. For local dealer information, visit the find a showroom section of our website, subzero.com. Stainless steel and white enamel side panels are also available from an authorized Sub-Zero dealer.

IMPORTANT NOTE: The use of side panels may change the width of the opening.

A custom side panel must be a minimum of 24" (610) deep and 1/2" (13) thick. Routing will be necessary for the side panel to fit flush against the side of the unit. Refer to the illustrations below.

IMPORTANT NOTE: The height of the side panel will vary with the height of the grille. Verify the finished height before modifying panels.



Side panel dimensions.

Placement

⚠ CAUTION

Before moving the unit into position, secure the door closed and protect any finished flooring.

Use an appliance dolly to move the unit near the opening.

If the unit has been on its back or side, it must stand upright for a minimum of 24 hours before connecting power.

If the unit will be connected to a home security system, run lead wires through the compressor compartment prior to positioning the unit. Refer to page 22. Once the unit is in position, wiring connection can be completed from the front.

Plug the power cord into the grounded outlet, then roll the unit into position. Verify the anti-tip brackets are properly engaged.

IMPORTANT NOTE: If used, side panels will need to be installed before the unit is placed in its final position. Refer to page 19.

Alignment

LEVELING

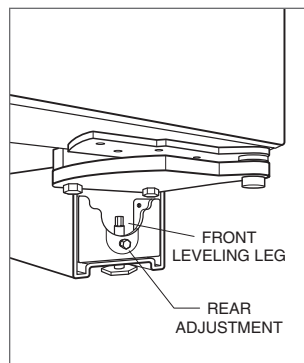
Once the unit is in position, turn the front leveling legs clockwise to adjust the height. The rear height adjustment can be made from the front of the roller base. Using a $\frac{3}{8}$ " socket, turn the $\frac{3}{8}$ " hex bolt clockwise to raise the unit or counterclockwise to lower. Use the lowest torque setting when using a power drill. Do not turn the rear leveling legs by hand. Refer to the illustration below.

When the unit is properly leveled, door adjustments are less likely to be necessary.

IMPORTANT NOTE: Level the unit to the floor, not surrounding cabinetry. This could affect the operation of the unit, such as door closing.

⚠ WARNING

To reduce the possibility of the unit tipping forward, the front leveling legs must be in contact with the floor.



Leveling.

Alignment

DOOR ADJUSTMENT

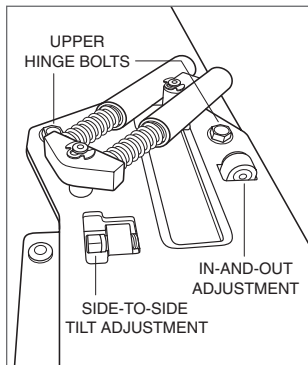
The door can be adjusted in and out, side to side tilt and up and down.

To make adjustments, slightly loosening the two upper hinge bolts on the upper hinge plate using a 1/2" wrench. Refer to the illustration below.

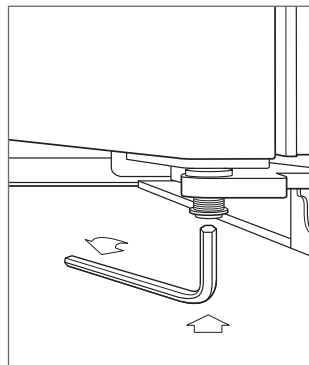
In and out adjustment | For a left-hinge door, using a 5/32" allen wrench, turn the adjustment bolt clockwise to bring the handle side of the door inward, and counterclockwise to move the handle side outward. Reverse directions for a right-hinge door.

Side to side tilt adjustment | For a left-hinge door, using a 3/8" wrench, turn the adjustment bolt clockwise to raise the handle side of the door, and counterclockwise to lower the handle side. Reverse directions for a right-hinge door.

Up and down adjustment | For a left-hinge door, using a 1/4" allen wrench, turn the adjustment bolt clockwise to raise the door and counterclockwise to lower. Refer to the illustration below. Reverse directions for a right-hinge door.



Door adjustment bolts.

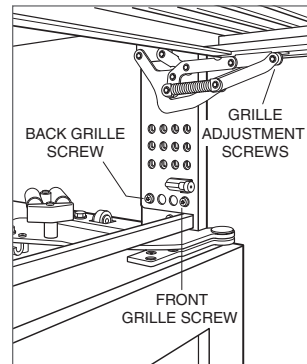


Up and down door adjustment.

Completion

GRILLE INSTALLATION

Install the grille assembly and check for proper fit. The grille is designed to rest on the upper door hinge to minimize the reveal between the top of the door and bottom of the grille. To eliminate interference, the grille height can be adjusted. Loosen the four grille adjustment screws (two on each side) and adjust the grille height as needed. Refer to the illustration below.



Grille height adjustment.

Completion

HOME SECURITY CONNECTION

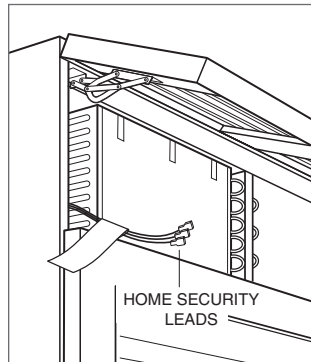
If the unit will be connected to a home security system, make connections to the leads shown in the illustration below. Refer to the following color codes:

- Normally open contacts—white with red stripe wire.
- Normally closed contacts—white with blue stripe wire.
- Common—gray with white stripe wire.

Use the spade terminals or wire nuts provided to make proper wiring connections.

⚠ CAUTION

The alarm circuit in the unit is intended as a low-voltage, low-current device only. It should not be used to switch line power. Any unused terminals should be completely insulated and all wires should be secured away from conductive or moving components.



Home security connection.

ANCHORING

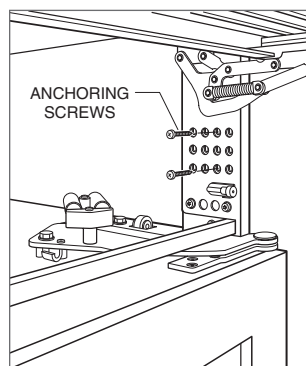
After the unit has been leveled and door adjustment completed, anchor the unit to the opening to ensure a proper fit and secure installation.

To anchor the top of the unit, open the grille and install the screws provided, through the grille frame into cabinetry. There are several hole locations. Refer to the illustration below. Check for proper door clearance by opening the door.

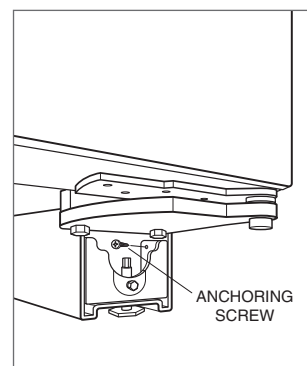
To anchor the bottom of the unit, drive a screw through the side hole inside each roller base assembly. The screw will need to go in at an angle to attach properly. Refer to the illustration below. Additional material may be needed behind the cleat to ensure sufficient anchoring.

⚠ CAUTION

If the screws provided are not suitable for the installation, use adequate screws.



Top anchoring.



Bottom anchoring.

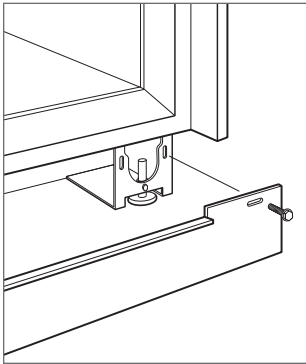
Completion

KICKPLATE INSTALLATION

Reinstall the drain pan and verify it is in the proper position.

Install the kickplate using screws to attach it to brackets on the inside of each roller base. Refer to the illustration below. The kickplate must be removable for service. The floor cannot interfere with removal. Refer to the label mounted on the kickplate support for height clearance.

Turn power on by touching POWER on the control panel.



Kickplate installation.

90° DOOR STOP

The door opens to 110°. A 90° door stop is provided with the unit (located behind the grille). Additional 90° door stop kits are available through an authorized Sub-Zero dealer.

⚠ WARNING

Follow all city and state laws when storing, recycling or discarding unused refrigerators and freezers.

Contenido

- 3 Almacenamiento de vinos
- 4 Preparación del sitio para modelos UW-24 / UW-24FS
- 6 Instalación de modelos UW-24 / UW-24FS
- 10 Preparación del sitio para modelo BW-30
- 16 Instalación de modelo BW-30

Aviso importante

Para garantizar que este producto sea instalado y operado de la forma más segura y eficiente posible, tome nota de los siguientes tipos de información resaltada en esta guía:

AVISO IMPORTANTE resalta la información que es especialmente importante.

PRECAUCIÓN indica una situación en la que se pueden sufrir heridas leves o provocar daños al producto si no se siguen las instrucciones.

ADVERTENCIA indica peligro de que se produzcan heridas graves o incluso la muerte si no se siguen las precauciones.

AVISO IMPORTANTE: En toda esta guía, las dimensiones entre paréntesis son milímetros, a menos que se especifique lo contrario.

Información del producto

La información importante del producto, incluido el modelo y número de serie de la unidad, se encuentran en la placa de datos del producto. La placa de datos se encuentra en la parte de abajo del panel de control, a la izquierda. Consulte las siguientes ilustraciones.

Si necesita servicio, póngase en contacto con el centro de servicio autorizado de Sub-Zero y tenga a la mano el modelo y número de serie de la unidad. Para obtener los datos del centro de servicio autorizado de Sub-Zero más cercano o si tiene preguntas acerca de la instalación, visite la sección de contacto y soporte técnico en nuestra página de Internet subzero.com o llame a la línea de atención al cliente de Sub-Zero al 800-222-7820.

Herramientas y materiales

- Destornilladores: estándar, Phillips y Torx.
- Taladro eléctrico.
- Brocas (se requieren brocas de mampostería para instalación en concreto).
- Juego de llaves estándar y de vaso.
- Niveles 2' y 4'.
- Material para proteger la casa, el piso y los gabinetes durante la instalación.



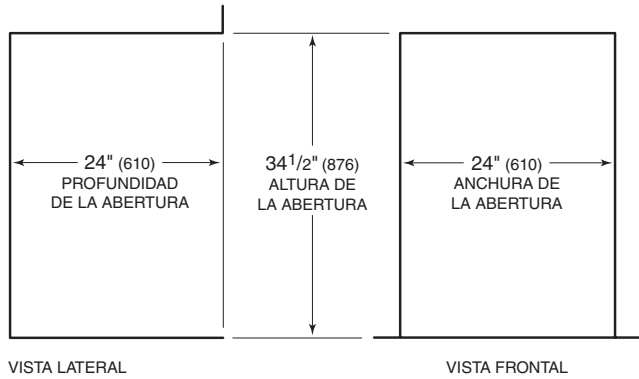
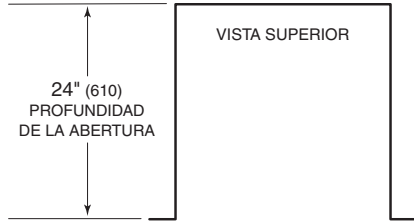
Modelos UW-24 y UW-24FS.



Modelo BW-30.

Dimensiones de abertura

MODELO UW-24



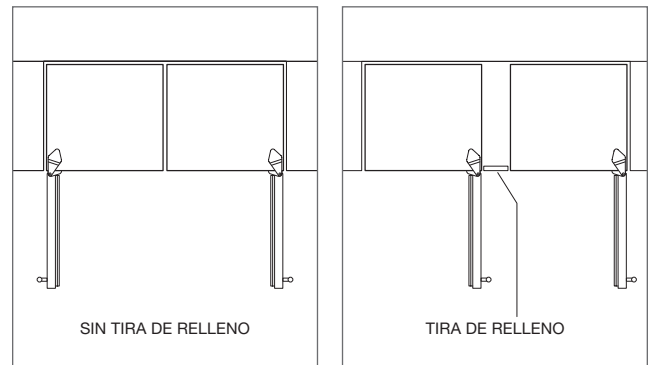
ANCHURA DE ABERTURA DOBLE		W
Dos modelos de 24" (610)		48 1/8" (1222)

Se requiere kit de instalación doble.

INSTALACIÓN DOBLE

Si se instalan dos unidades lado a lado, puede ser necesario un kit de instalación doble. Las instalaciones sin una tira de relleno personalizada requieren un kit de instalación doble. Si el uso de un kit de instalación doble no está especificado, se recomienda utilizar una tira de relleno de 2" (51) entre las unidades. Las instalaciones dobles sin una tira de relleno sólo se pueden realizar cuando se utilizan dos unidades con bisagras opuestas. Consulte las siguientes ilustraciones.

Los kits de instalación doble están disponibles a través de un distribuidor autorizado de Sub-Zero. Para obtener más información acerca de los distribuidores locales, visite la sección para encontrar una sala de exhibición de nuestro sitio web, subzero.com. Para preguntas sobre la instalación, comuníquese a la línea de atención al cliente de Sub Zero al 800-222-7820.



Bisagras opuestas.

Bisagras en el mismo lado.

Instalación eléctrica

La instalación debe cumplir con todos los códigos eléctricos vigentes.

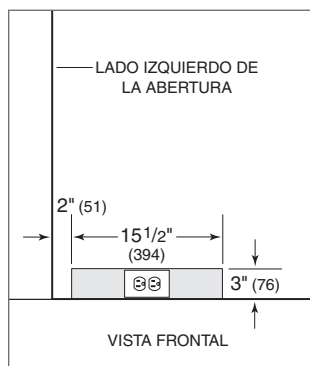
El suministro eléctrico debe colocarse dentro del área sombreada que se muestra en la siguiente ilustración. Es necesario un circuito independiente, que dé servicio únicamente a este aparato. No es recomendable utilizar un circuito de fallos de conexión a tierra (GFCI, por sus siglas en inglés) ya que puede interrumpir el funcionamiento de la unidad.

AVISO IMPORTANTE: El tomacorriente eléctrico debe colocarse de tal forma que la clavija con conexión a tierra quede a la derecha de las espigas más delgadas. El tomacorriente debe quedar al ras de la pared trasera.

REQUISITOS ELÉCTRICOS	
Suministro eléctrico	115 V CA, 60 Hz
Interruptor de circuito	15 amperes
Receptáculo	Conexión a tierra de 3 clavijas

⚠ ADVERTENCIA

No utilice un cable de extensión, adaptador de dos clavijas ni retire la clavija con conexión a tierra del cable de alimentación.



Ubicación del suministro eléctrico.

Preparación

Para un funcionamiento apropiado, la puerta debe abrir a un ángulo mínimo de 90°. Utilice un relleno de 3" (76) como mínimo en las instalaciones esquinadas para asegurar que la puerta se abra a 90°.

Desembale la unidad e inspeccione si tiene algún daño. Retire y recicle los materiales de embalaje. No deseche el zócalo, el soporte antivuelco, las piezas de montaje ni las patas niveladoras que soportan la base de madera a la parte inferior de la unidad.

Soporte antivuelco

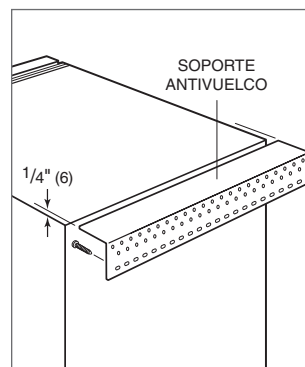
⚠ ADVERTENCIA

Para evitar que la unidad se vuelque hacia el frente, debe instalarse el soporte antivuelco.

MODELO UW-24

El soporte antivuelco debe sujetarse a la pared detrás de la unidad con la pestaña del soporte ubicada 1/4" (6) por arriba de la parte superior de la unidad. Consulte la siguiente ilustración. No colocar correctamente el soporte antivuelco impedirá que la unidad quede bien enganchada.

Para aquellas instalaciones en las que no se pueda colocar el soporte antivuelco, se suministra un seguro bajo mostrador para mantener fija la unidad al mostrador. Consulte la siguiente ilustración.



Soporte antivuelco (UW-24).

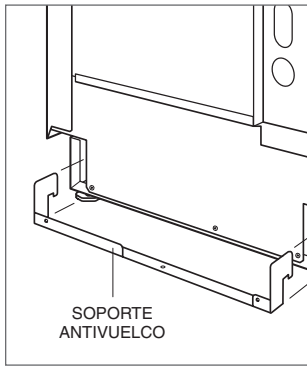


Soporte a mostrador.

Soporte antivuelco

MODELO UW-24FS

La parte posterior del soporte antivuelco debe instalarse a $24\frac{5}{8}$ " (625) del frente y centrada detrás de la unidad. Consulte la siguiente ilustración. Consulte la página 16 para instalaciones en pisos de madera y de concreto.



Soporte antivuelco (UW-24FS).

Panel Personalizado

MODELO UW-24

Para aplicaciones revestibles, es necesario instalar un panel de puerta personalizado. El tamaño del panel es fundamental para un buen ajuste. Para verificar los requisitos y dimensiones del panel, consulte la guía de diseño de Sub-Zero en subzero.com/specs.

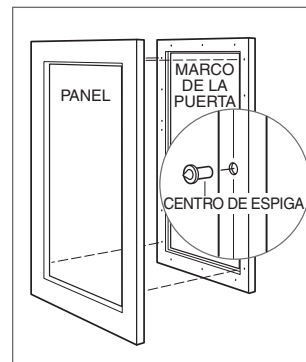
Dé el acabado a todos los lados de los paneles personalizados. Estos pueden verse al abrir la puerta o a través de la puerta de cristal.

El panel de puerta revestible personalizado se sujeta con los tornillos proporcionados a través del marco de la puerta. Las ubicaciones de los tornillos se marcan en la parte trasera del panel personalizado mediante centros de espiga insertados en los orificios del marco de la puerta.

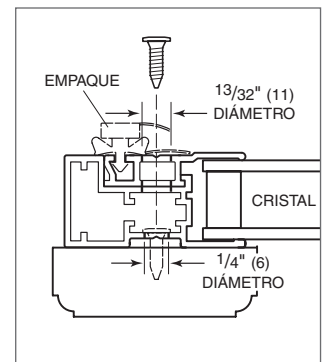
Una vez que la unidad está asegurada y la puerta cerrada, sujete el panel personalizado en la posición deseada sobre la puerta. Dé un golpe suave al frente del panel para localizar las posiciones de montaje. Retire los centros de espiga.

El marco de la puerta tiene orificios de montaje para alojar las manijas adicionales de Sub-Zero. Si no utiliza los orificios de montaje de las manijas, debe fijar la manija al panel personalizado antes del montaje. Puede que sea necesario avellanar las cabezas de los tornillos en el panel para obtener una buena alineación.

Para montar el panel personalizado, abra la puerta y utilice los orificios previamente perforados para colocar el panel en posición. Introduzca los tornillos en el panel a través de la cinta negra en el marco de la puerta. Los orificios para los tornillos están ocultos detrás del empaque de la puerta. Utilice todos los tornillos que sean necesarios para asegurar el panel personalizado. Consulte la siguiente ilustración.



Centro de espiga.



Sección transversal del marco de la puerta.

Panel Personalizado

Una vez que tenga unos cuantos tornillos de montaje en su lugar, pero no bien apretados, puede realizar ajustes al panel personalizado. Una vez que el panel esté bien puesto, instale y asegure todos los tornillos.

Cubra los orificios del interior del marco de la puerta con las cubiertas o tapones proporcionados.

⚠ PRECAUCIÓN

No puede instalarse un panel sólido sobre la puerta de cristal. Una puerta sólida está disponible a través de un distribuidor autorizado de Sub-Zero. Para obtener más información acerca de los distribuidores locales, visite la sección para encontrar una sala de exhibición de nuestro sitio web, subzero.com.

Colocación

⚠ PRECAUCIÓN

Antes de mover la unidad a su posición, asegúrese de que la puerta esté cerrada y proteja cualquier suelo con acabado.

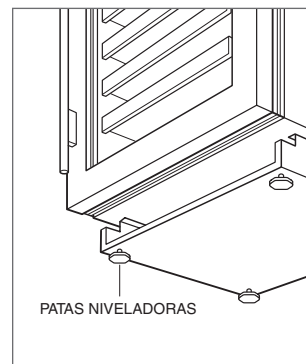
Utilice una plataforma rodante para mover la unidad cerca de la abertura.

Si la unidad ha estado o está acostada o de lado, debe ponerla de pie y dejarla así durante un mínimo de 24 horas antes de conectarla al suministro eléctrico.

Si la unidad se conecta a un sistema de seguridad de la casa, pase los cables de las líneas correspondientes a través del compartimiento del compresor antes de colocar la unidad en posición. Consulte la página 8. Una vez que la unidad está en posición, la conexión de cables se puede realizar desde la parte delantera.

Nivelación

Nivele la unidad antes de colocarla en su sitio. Gire cada una de las patas niveladoras en sentido de las manecillas del reloj para levantar la unidad o en sentido opuesto de las manecillas del reloj para bajarla. Consulte la siguiente ilustración.



Nivelación.

Finalización

Conecte el cable de alimentación eléctrica en un tomacorriente con conexión a tierra y deslice la unidad a su sitio. Compruebe que el soporte antivuelco esté bien enganchado.

Puede que sea necesario instalar la unidad $\frac{1}{4}$ " (6) fuera de la superficie delantera de los gabinetes adyacentes para evitar interferencias al abrir la puerta a 145° . Consulte la plantilla a escala completa de la página 9.

CONEXIÓN A LÍNEAS DE SEGURIDAD DEL HOGAR

Para conectar la unidad a un sistema de seguridad del hogar, haga las conexiones de las líneas como se muestra en la ilustración. Aplique los siguientes códigos de colores:

- Contactos normalmente abiertos — cable blanco con línea roja.
- Contactos normalmente cerrados — cable blanco con línea azul.
- Común — cable gris con línea blanca.

Use las terminales tipo espada o tuercas para cable para efectuar las conexiones de manera correcta.

⚠ PRECAUCIÓN

El circuito de la alarma de la unidad se pretende que solamente sea un dispositivo de bajo voltaje y baja corriente. No debe usarse como interruptor de la línea de energía. Cualquier terminal que no se utilice debe estar completamente aislada y todos los cables deben estar alejados de manera segura de componentes conductores o móviles.



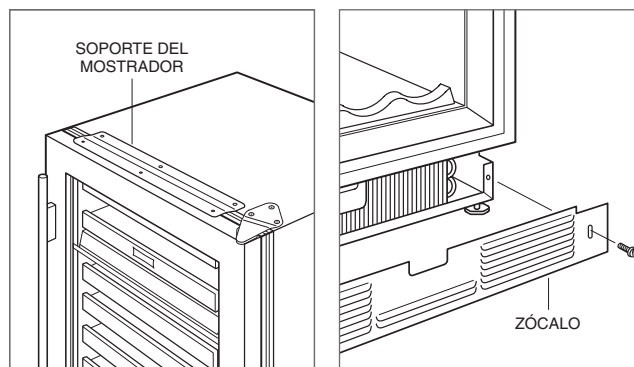
Conexión al sistema de seguridad del hogar.

ANCLAJE

Para el anclaje, utilice el soporte de mostrador proporcionado para asegurar la unidad a la parte inferior del mostrador. Consulte la siguiente ilustración. Si no es posible utilizar el soporte del mostrador, instale cuñas a lo largo de la parte superior y los lados de la unidad.

INSTALACIÓN DEL ZÓCALO

Instale el zócalo con los dos tornillos proporcionados. Consulte la siguiente ilustración. El zócalo debe ser desmontable para sacarlo cuando sea necesario dar servicio a la unidad. El suelo no debe interferir al desmontarlo. No cubra la sección tipo persiana del zócalo.



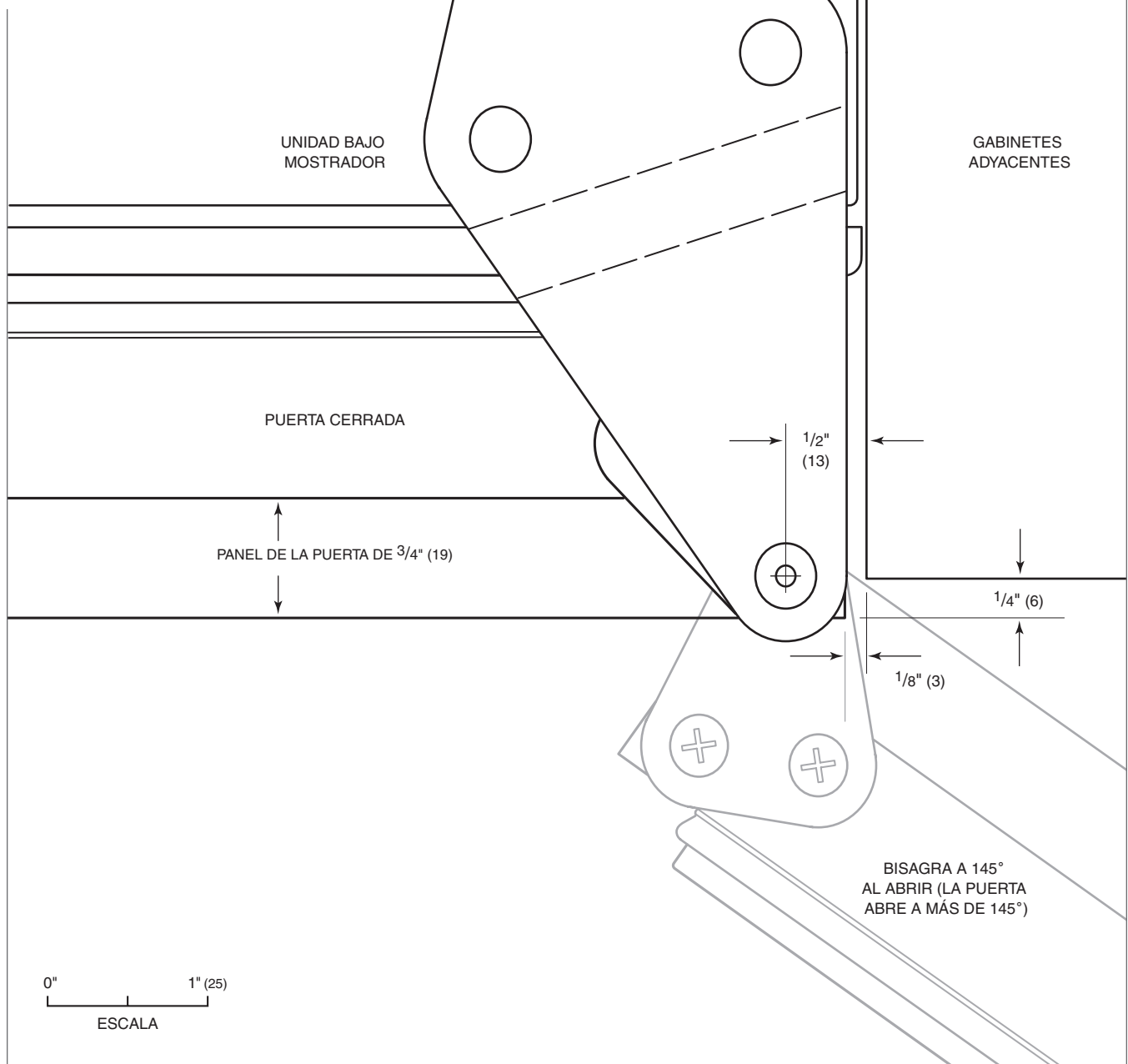
Anclaje.

Instalación del zócalo.

Espacio de la puerta

PLANTILLA A ESCALA COMPLETA

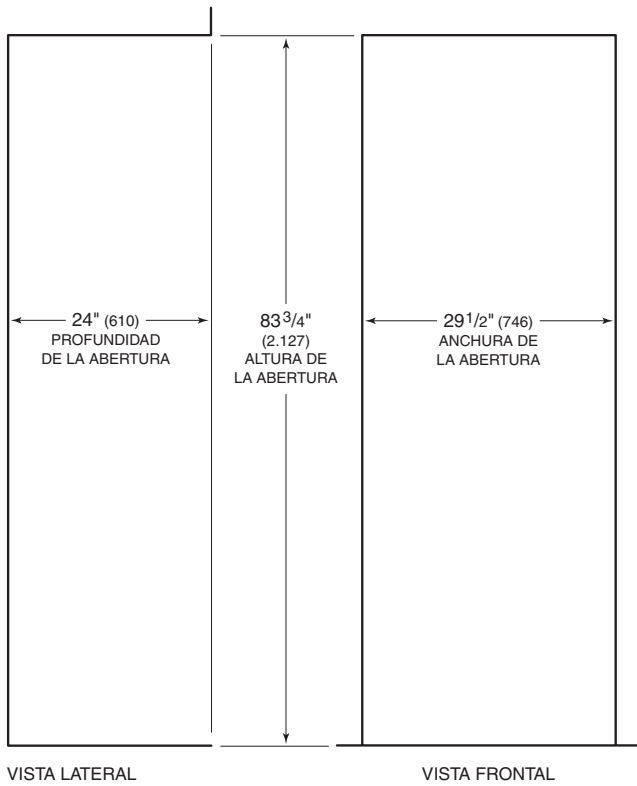
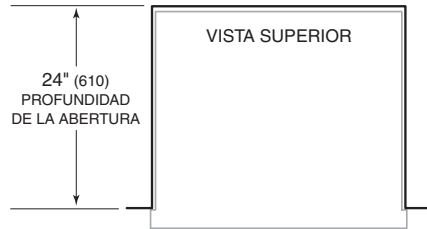
Para permitir la apertura de la puerta a 145° la unidad debe estar como mínimo 1/4" (6) más adelante que la superficie frontal de los gabinetes adyacentes. La unidad puede instalarse al ras; sin embargo, existe el riesgo de interferencia con el panel si la puerta se abre más de 90°.



Abertura de la puerta a 145° (vista superior).

Dimensiones de abertura

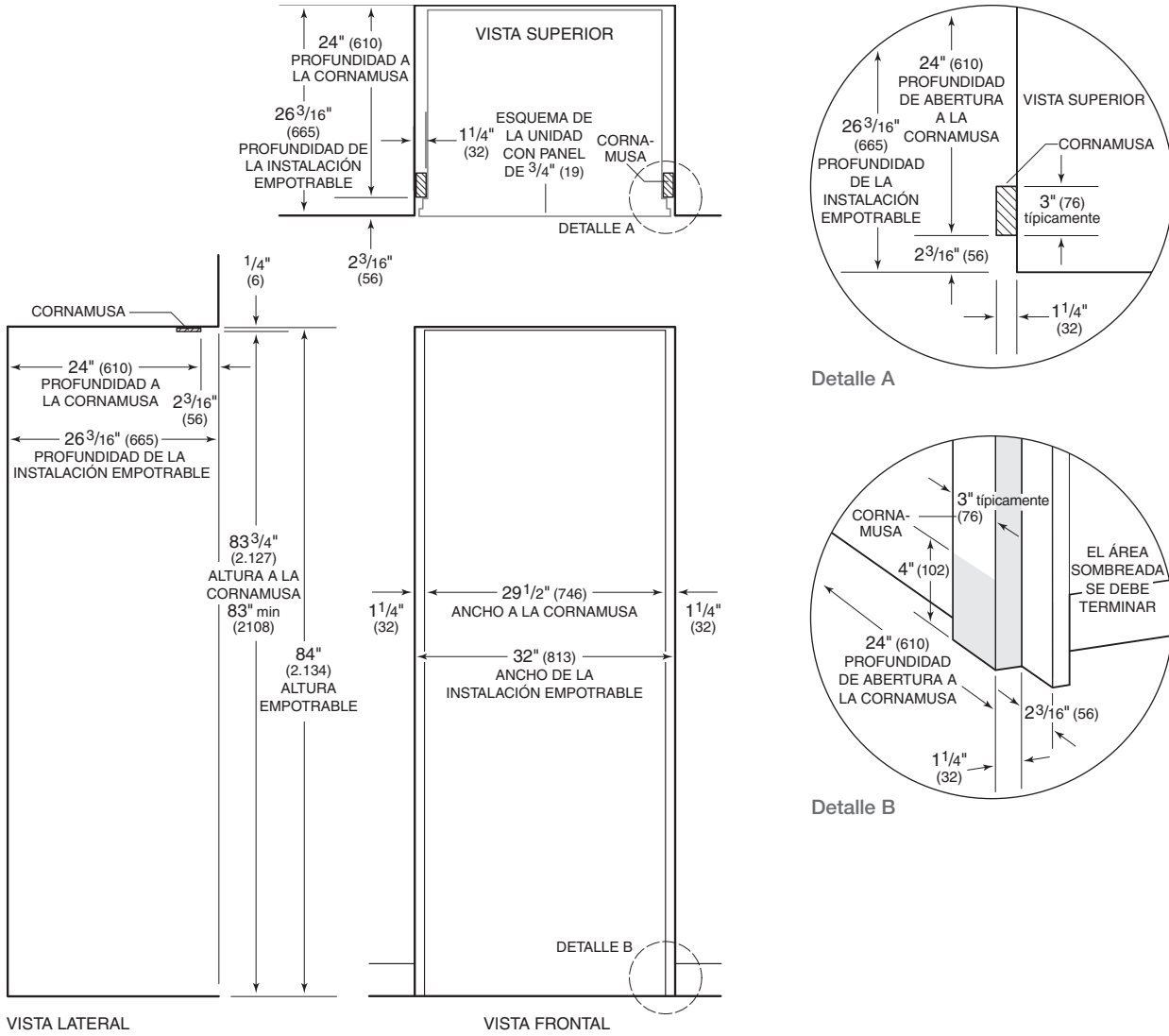
INSTALACIÓN ESTÁNDAR



Si instala dos unidades lado a lado, consulte la página 12.

Dimensiones de abertura

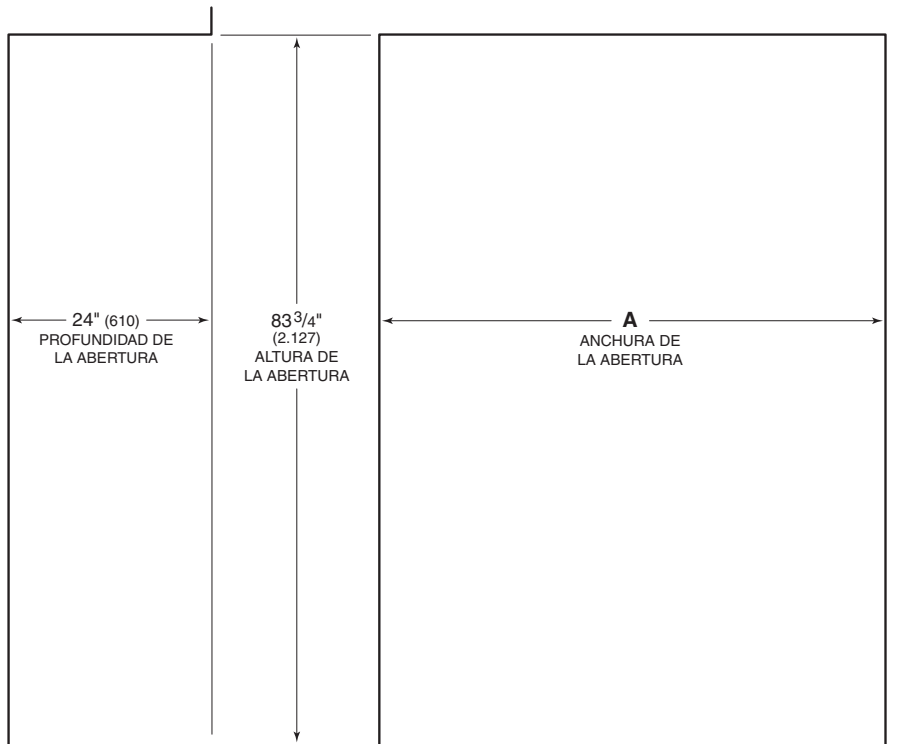
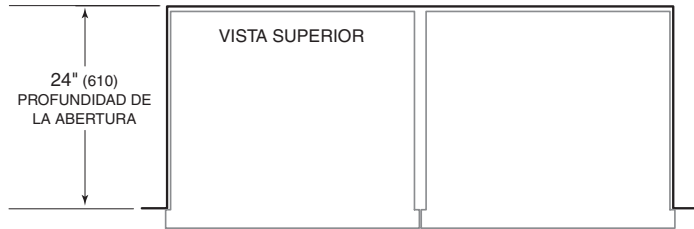
INSTALACIÓN EMPOTRABLE



Las dimensiones toman en consideración un panel de 3/4" (19) de grosor. Si instala dos unidades lado a lado, consulte la página 13.

Dimensiones de abertura

INSTALACIÓN ESTÁNDAR DOBLE



VISTA LATERAL

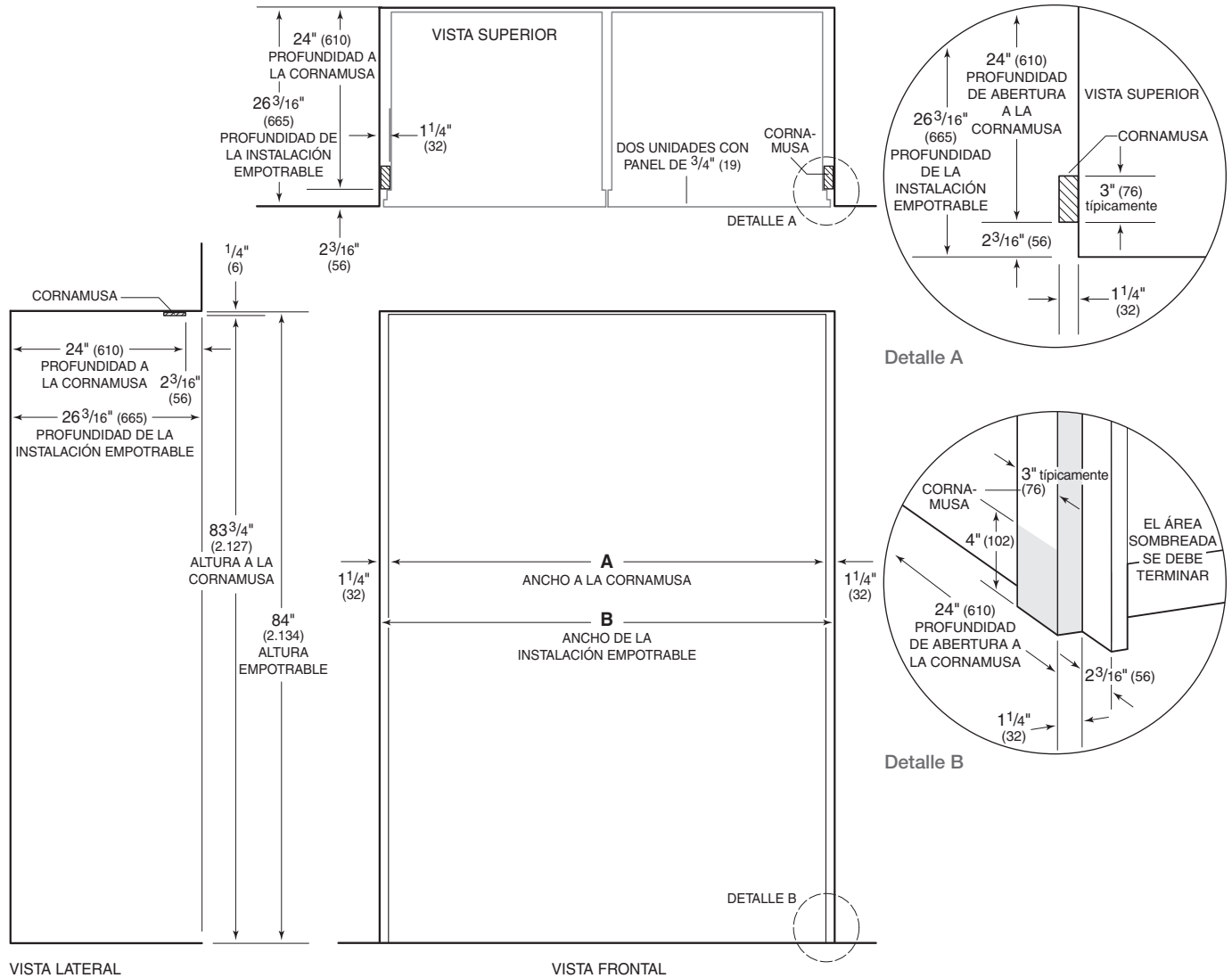
VISTA FRONTAL

ANCHURA DE ABERTURA	A
Modelos BW-30 e integrado de 30"	59 ³ / ₄ " (1.518)
Modelos BW-30 e integrado de 36"	65 ³ / ₄ " (1.670)

Para esta instalación se requiere un kit de instalación doble.

Dimensiones de abertura

INSTALACIÓN DE DOS UNIDADES EMPOTRABLE



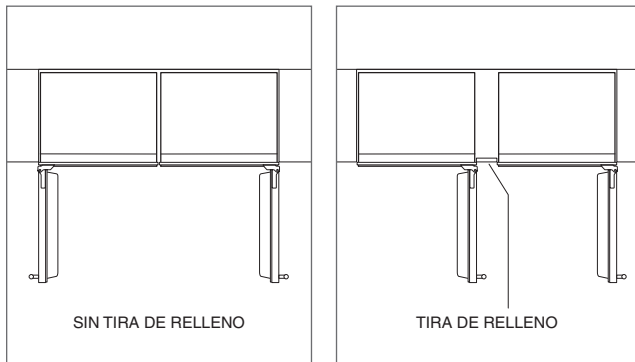
ANCHURA DE ABERTURA	A	B
Modelos BW-30 e integrado de 30"	59 ³ / ₄ " (1.518)	62 ¹ / ₄ " (1.581)
Modelos BW-30 e integrado de 36"	65 ³ / ₄ " (1.670)	68 ¹ / ₄ " (1.734)

Las dimensiones toman en consideración un panel de 3/4" (19) de grosor. Para esta instalación se requiere un kit de instalación doble.

Instalación doble

Si se instalan dos unidades lado a lado, puede ser necesario un kit de instalación doble. Las instalaciones sin una tira de relleno personalizada requieren un kit de instalación doble. Si el uso de un kit de instalación doble no está especificado, se recomienda utilizar una tira de relleno de 2" (51) entre las unidades. Las instalaciones dobles sin una tira de relleno sólo se pueden realizar cuando se utilizan dos unidades con bisagras opuestas. Consulte las siguientes ilustraciones.

Los kits de instalación doble están disponibles a través de un distribuidor autorizado de Sub-Zero. Para obtener más información acerca de los distribuidores locales, visite la sección para encontrar una sala de exhibición de nuestro sitio web, subzero.com. Si tiene preguntas con respecto a la instalación, llame a la línea de atención al cliente de Sub-Zero al 800-222-7820.



Bisagras opuestas.

Bisagras en el mismo lado.

Instalación eléctrica

La instalación debe cumplir con todos los códigos eléctricos vigentes.

El suministro eléctrico debe colocarse dentro del área sombreada que se muestra en la siguiente ilustración. Es necesario un circuito independiente, que dé servicio únicamente a este aparato. No es recomendable utilizar un circuito de fallos de conexión a tierra (GFCI, por sus siglas en inglés) ya que puede interrumpir el funcionamiento de la unidad.

REQUISITOS ELÉCTRICOS

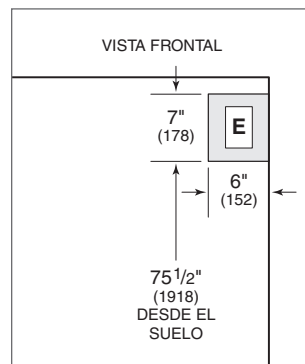
Suministro eléctrico	115 V CA, 60 Hz
Interruptor de circuito	15 amperes
Receptáculo	Conexión a tierra de 3 clavijas

⚠ PRECAUCIÓN

Un electricista calificado debe revisar el tomacorriente para asegurarse de que la conexión se haya realizado con la polaridad correcta. Verifique que el tomacorriente esté debidamente conectado a tierra.

⚠ ADVERTENCIA

No utilice un cable de extensión, adaptador de dos clavijas ni retire la clavija con conexión a tierra del cable de alimentación.



Ubicación del suministro eléctrico.

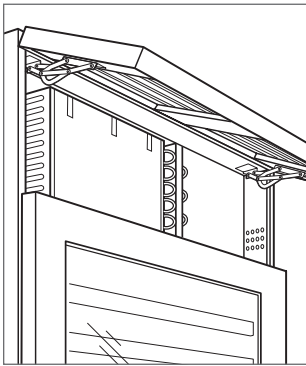
Preparación

Desembale la unidad e inspeccione si tiene algún daño. Retire la base de madera y deseche los pernos y soportes de transporte. Retire y recicle los materiales de embalaje. No deseche el zócalo, los soportes antivuelco ni las piezas de montaje.

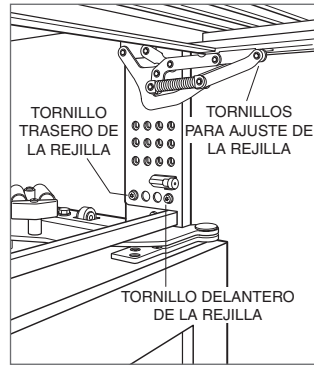
Repliegue completamente las patas niveladoras delanteras para que pueda mover la unidad a su posición. Las patas niveladoras delanteras y traseras se pueden ajustar desde el frente de la unidad una vez que la misma está en su posición.

Retire la bandeja de drenaje para evitar que se dañe y permita que se pueda colocar bien la plataforma rodante.

Debe quitar el conjunto de la rejilla antes de mover la unidad. Para quitarlo, jale el borde inferior de la rejilla hacia afuera y gire hacia arriba. Afloje los dos tornillos traseros de montaje de la rejilla y quite los dos tornillos delanteros de montaje de la rejilla. Sujete la rejilla con firmeza, jale hacia adelante para quitarla. Consulte las siguientes ilustraciones.



Extracción de la rejilla.



Tornillos para montaje de la rejilla.

Soporte antivuelco

▲ ADVERTENCIA

Para evitar que la unidad se vuelque hacia el frente, deben instalarse los soportes antivuelco.

Los dos soportes antivuelco deben estar instalados exactamente a 24" (610) de la parte delantera de la abertura hasta la parte trasera de los soportes y un mínimo de 4" (102) desde los lados de la abertura. Esta profundidad se incrementará a 26³/₁₆" (665) para una instalación empotrable al ras con paneles con ³/₄" (19) de grosor. No colocar correctamente los soportes antivuelco impedirá que la unidad quede bien enganchada.

Utilice todas las piezas de montaje de los soportes antivuelco de acuerdo con las instrucciones para suelos de madera o de concreto.

AVISO IMPORTANTE: Para aplicaciones en suelo de madera o de concreto, si los tornillos del # 12 no alcanzan un travesaño o la placa de pared, utilice tornillos del # 8 y arandelas del # 12 con los anclajes de pared.

AVISO IMPORTANTE: En algunas instalaciones el contrapiso o el suelo terminado pueden necesitar inclinar los tornillos utilizados para sujetar los soportes antivuelco a la pared del fondo.

PIEZAS DE MONTAJE ANTIVUELCO

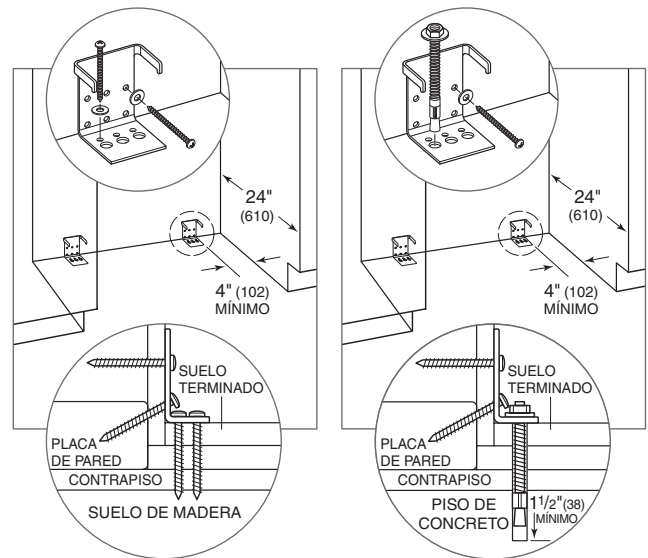
2	Soportes antivuelco
12	Tornillos de cabeza plana #12 x 2 ¹ / ₂ "
4	Anclas de cuña de ³ / ₈ "-16 x 3 ³ / ₄ "
12	Arandelas planas #12
4	Tornillos de cabeza segmentada #8-18 x 1 ¹ / ₄ "
4	Anclajes Nylon Zip-it® para pared

SUELO DE MADERA

Después de ubicar apropiadamente el soporte antivuelco en la abertura, taladre los orificios guía con un diámetro máximo de ³/₁₆" (5) en los travesaños o en la placa de la pared. Utilice los tornillos #12 y las arandelas para sujetar los soportes. Compruebe que los tornillos penetren a través de los travesaños o la placa de la pared como mínimo ³/₄" (19). Consulte la siguiente ilustración.

PISO DE CONCRETO

Después de ubicar apropiadamente el soporte antivuelco en la abertura, taladre los orificios guía con un diámetro máximo de ³/₁₆" (5) en los travesaños o en la placa de la pared. Taladre orificios con un diámetro de ³/₈" (10) en el concreto con una profundidad de 1¹/₂" (38) como mínimo. Utilice los tornillos #12 y las arandelas para sujetar los soportes a la pared, y utilice las anclas de cuña de ³/₈" para sujetar los soportes al suelo. Compruebe que los tornillos penetren a través de los travesaños o la placa de la pared como mínimo ³/₄" (19). Consulte la siguiente ilustración.



Suelo de madera.

Piso de concreto.

Soporte antivuelco

INSTALACIÓN DE LAS ANCLAS DE CUÑA PARA CONCRETO:

- 1 Haga un orificio de $\frac{3}{8}$ " (10) de diámetro con una profundidad superior al empotrado mínimo. Limpie el orificio o continúe taladrando para hacer el orificio más profundo y que quepan los residuos en él.
- 2 Coloque la arandela y la tuerca al ras del extremo del ancla para proteger las roscas. Inserte el ancla a través del material que va a fijar hasta que la arandela quede al ras del material de la superficie.
- 3 Expanda el ancla girando la tuerca de 3 a 5 vueltas para ajustarla hasta que quede bien apretada o a 25 libras-pie de torsión.

⚠ ADVERTENCIA

Verifique que no haya cables eléctricos o tuberías en la zona donde va a introducir los tornillos.

⚠ PRECAUCIÓN

Utilice siempre gafas de seguridad y otros dispositivos o prendas de protección que sean necesarios al instalar o trabajar con anclas.

No se recomienda el uso de anclas en material de mampostería poco pesado, como son los bloques o ladrillos; tampoco se recomienda utilizarlos en concreto fresco que no haya tenido tiempo suficiente para curar. No se recomienda el uso de brocas huecas para hacer los orificios para el ancla.

Paneles personalizados

Para aplicaciones revestibles y empotrables, es necesario instalar las puertas personalizadas y los paneles de rejilla. El tamaño del panel es fundamental para un buen ajuste. Para verificar los requisitos y dimensiones del panel, consulte la guía de diseño de Sub-Zero en subzero.com/specs.

AVISO IMPORTANTE: Las aplicaciones empotrables al ras requieren de un margen mínimo de $\frac{1}{2}$ " (13) en todos los lados.

Dé el acabado a todos los lados de los paneles personalizados. Estos pueden verse al abrir la puerta o a través de la puerta de cristal.

⚠ PRECAUCIÓN

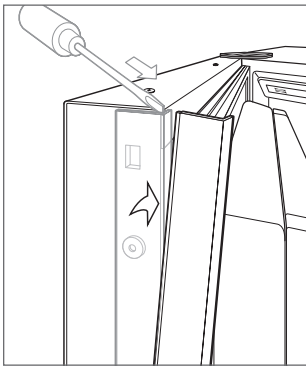
No puede instalarse un panel sólido sobre la puerta de cristal.

Instalación de los paneles

PANEL DE LA PUERTA

Para instalar los paneles de puerta personalizados, retire la moldura del ribete del lado de la manija. Inserte la punta del destornillador en la ranura de la esquina superior del lado de la manija y saque el ribete. Quite los tornillos y el marco. Consulte la siguiente ilustración.

La puerta tiene un marco de 1/4" (6) donde se desliza el panel personalizado. Si el panel tiene un grosor mayor a 1/4" (6), coloque una guía alrededor del panel o monte el panel en una hoja de material con un grosor de 1/4" (6), luego inserte en el marco.



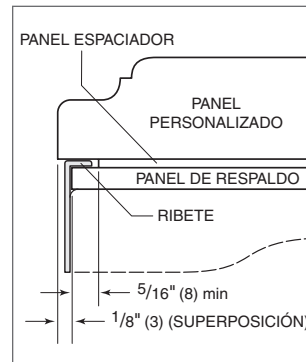
Ribete del lado de la puerta.

Se necesita un espacio de 0.10" (3) entre el panel de respaldo y el panel personalizado para permitir que el panel se deslice en el marco de la puerta. Consulte las siguientes ilustraciones para ver las dimensiones críticas.

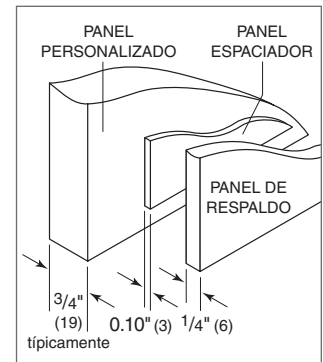
Instale las piezas de montaje de la manija antes de insertar el panel. Es recomendable utilizar manijas estilo D en lugar de perillas. Las cabezas de los tornillos deben ser avellanadas en el panel.

Deslice el panel en el marco.

Para volver a instalar la moldura del ribete de la puerta, inserte la parte superior del ribete en las ranuras de la parte superior de la puerta y trabaje hacia abajo, ajustando el ribete en los clips en el marco de la puerta.



Sección transversal del montaje del panel (superposición).



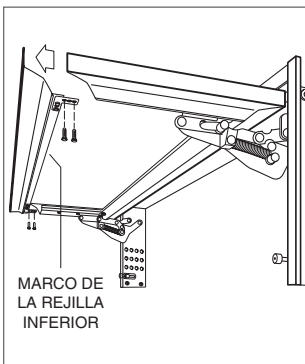
Vista posterior del montaje del panel.

Instalación de los paneles

PANEL DE REJILLA

Para quitar el marco de la rejilla inferior extraiga los tornillos de las dos esquinas inferiores de cada lado de la rejilla. Consulte la siguiente ilustración.

Una vez que haya retirado la sección inferior, deslice el panel personalizado de la rejilla dentro del marco. Si el panel es más delgado que 1/4" (6), deberá instalar un material de relleno para lograr un ajuste adecuado. Una vez que el panel está instalado, vuelva a colocar el marco de la rejilla inferior, deslice los soportes de las esquinas en su posición, luego vuelva a instalar los tornillos de las cuatro esquinas.



Montaje del marco de la rejilla.

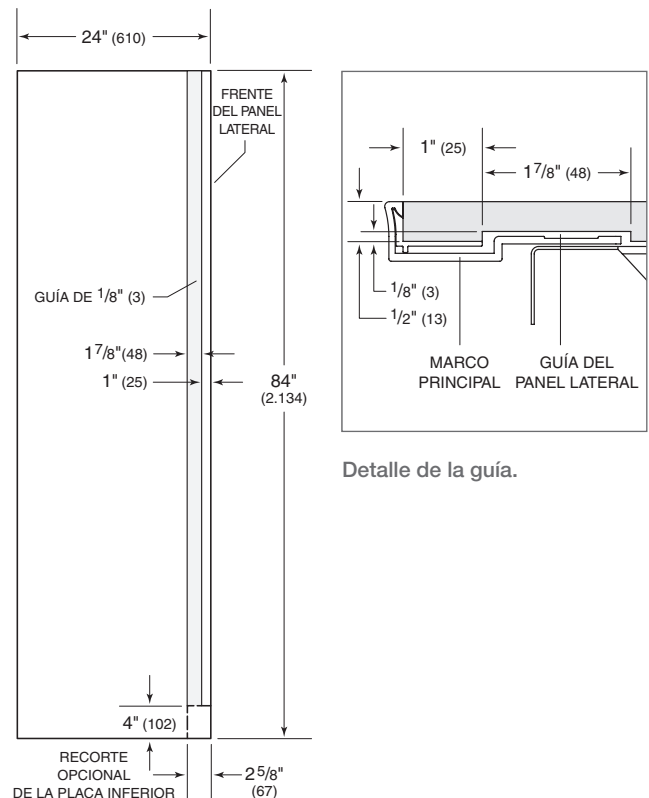
PANEL LATERAL

Para instalar un panel lateral personalizado, necesitará un kit de accesorios, disponible a través de un distribuidor autorizado de Sub-Zero. Para obtener más información acerca de los distribuidores locales, visite la sección para encontrar una sala de exhibición de nuestro sitio web, subzero.com. También puede encontrar paneles laterales de acero inoxidable y de esmalte blanco disponibles en los establecimientos de los distribuidores autorizados de Sub-Zero.

AVISO IMPORTANTE: El uso de paneles laterales puede cambiar el ancho de la abertura.

Un panel lateral personalizado debe tener una profundidad mínima de 24" (610) y un grosor de 1/2" (13). Será necesario usar una guía para que el panel lateral quede a ras contra el costado de la unidad. Consulte las siguientes ilustraciones.

AVISO IMPORTANTE: La altura del panel lateral variará con la altura de la rejilla. Verifique la altura final antes de modificar los paneles.



Dimensiones del panel lateral.

Colocación

▲ PRECAUCIÓN

Antes de mover la unidad a su posición, asegúrese de que la puerta esté cerrada y proteja cualquier suelo con acabado.

Utilice una plataforma rodante para mover la unidad cerca de la abertura.

Si la unidad ha estado o está acostada o de lado, debe ponerla de pie y dejarla así durante un mínimo de 24 horas antes de conectarla al suministro eléctrico.

Si la unidad se conecta a un sistema de seguridad de la casa, pase los cables de las líneas correspondientes a través del compartimiento del compresor antes de colocar la unidad en posición. Consulte la página 22. Una vez que la unidad está en posición, la conexión de cables se puede realizar desde la parte delantera.

Conecte el cable de alimentación eléctrica en un tomacorriente con conexión a tierra y deslice la unidad a su sitio. Compruebe que los soportes antivuelco estén bien enganchados.

AVISO IMPORTANTE: Si se utilizan, los paneles laterales deberán instalarse antes de colocar la unidad en su posición final. Consulte la página 19.

Alineación

NIVELACIÓN

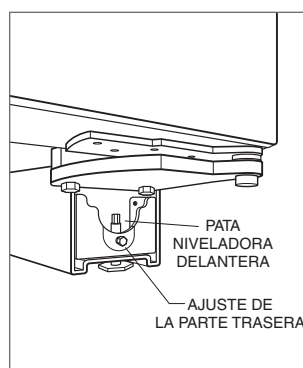
Una vez que la unidad está en posición, gire las patas niveladoras delanteras en sentido de las manecillas del reloj para ajustar la altura. El ajuste de la altura de la parte trasera se puede realizar desde la parte delantera de la base rodante. Con un socket de $\frac{3}{8}$ " gire $\frac{3}{8}$ " el perno hexagonal en sentido de las manecillas del reloj para levantar la unidad o en sentido opuesto a las manecillas del reloj para bajarla. Utilice la velocidad más baja para el par de torsión cuando utilice un taladro eléctrico. No ajuste las patas niveladoras traseras con la mano. Consulte la siguiente ilustración.

Cuando la unidad está bien nivelada, no es tan necesario ajustar las puertas.

AVISO IMPORTANTE: Nivele la unidad con el suelo, no con los gabinetes que la rodean. Esto podría afectar el funcionamiento de la unidad, por ejemplo el cerrado de la puerta.

▲ ADVERTENCIA

Para reducir la posibilidad de que la unidad se vuelque hacia adelante, las patas niveladoras delanteras deben estar en contacto con el suelo.



Nivelación.

Alineación

AJUSTE DE LA PUERTA

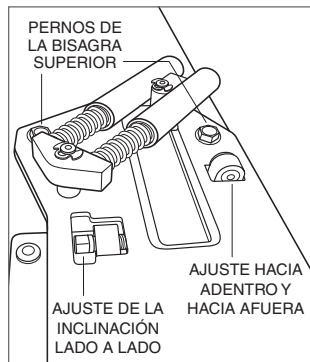
La puerta puede ajustarse hacia adentro o hacia afuera, con inclinación de un lado o del otro y hacia arriba o hacia abajo.

Para hacer los ajustes, afloje ligeramente los tornillos de las dos bisagras superiores en la placa de la bisagra superior con una llave de $\frac{1}{2}$ ". Consulte la siguiente ilustración.

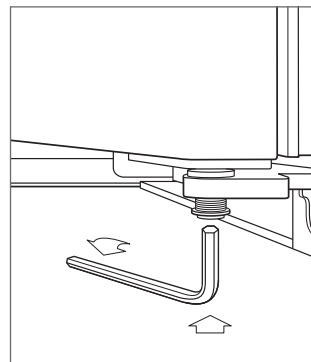
Ajuste hacia adentro y hacia afuera | Para una puerta con bisagra izquierda, con una llave allen de $\frac{5}{32}$ ", gire el perno de ajuste en sentido de las manecillas del reloj para llevar el lado de la manija hacia adentro, y en sentido opuesto de las manecillas del reloj para llevar el lado de la manija hacia afuera. Invierta las instrucciones para una puerta de bisagra derecha.

Ajuste de la inclinación lado a lado | Para una puerta con bisagra izquierda, con una llave de $\frac{3}{8}$ ", gire el perno de ajuste en sentido de las manecillas del reloj para elevar el lado de la manija, y en sentido opuesto de las manecillas del reloj para bajar el lado de la manija. Invierta las instrucciones para una puerta de bisagra derecha.

Ajuste hacia arriba o hacia abajo | Para una puerta con bisagra izquierda, con una llave allen de $\frac{1}{4}$ ", gire el perno de ajuste en sentido de las manecillas del reloj para subir la puerta y en sentido opuesto de las manecillas del reloj para bajarla. Consulte la siguiente ilustración. Invierta las instrucciones para una puerta de bisagra derecha.



Pernos para ajustar la puerta.



Ajuste de la puerta hacia arriba y hacia abajo.

Finalización

INSTALACIÓN DE LA REJILLA

Instale el conjunto de la rejilla y verifique que se ajuste adecuadamente. La rejilla está diseñada para descansar en la bisagra superior de la puerta para minimizar la vista entre la parte superior de la puerta y la parte inferior de la rejilla. Para eliminar la interferencia, puede ajustar la altura de la rejilla. Afloje los cuatro tornillos de ajuste de la rejilla (dos en cada lado) y ajuste la altura de la rejilla según sea necesario. Consulte la siguiente ilustración.



Ajuste de la altura de la rejilla.

Finalización

CONEXIÓN A LÍNEAS DE SEGURIDAD DEL HOGAR

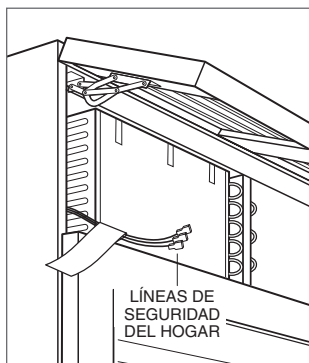
Para conectar la unidad a un sistema de seguridad del hogar, haga las conexiones de las líneas como se muestra en la ilustración. Aplique los siguientes códigos de colores:

- Contactos normalmente abiertos — cable blanco con línea roja.
- Contactos normalmente cerrados — cable blanco con línea azul.
- Común — cable gris con línea blanca.

Use las terminales tipo espada o tuercas para cable para efectuar las conexiones de manera correcta.

⚠ PRECAUCIÓN

El circuito de la alarma de la unidad se pretende que solamente sea un dispositivo de bajo voltaje y baja corriente. No debe usarse como interruptor de la línea de energía. Cualquier terminal que no se utilice debe estar completamente aislada y todos los cables deben estar alejados de manera segura de componentes conductores o móviles.



Conexión al sistema de seguridad del hogar.

ANCLAJE

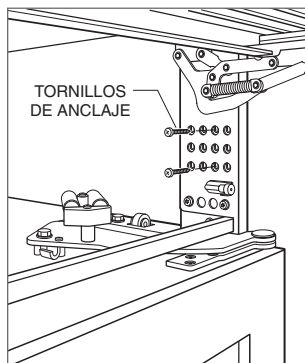
Después de nivelar la unidad y completar el ajuste de la puerta, fije la unidad a la abertura para asegurarse de que esté bien ajustada y la instalación sea segura.

Para fijar la parte superior de la unidad, abra la rejilla e instale los tornillos suministrados, en los gabinetes a través del marco de la rejilla. Hay orificios en varios lugares. Consulte la siguiente ilustración. Abra la puerta para comprobar que ésta abre sin problemas.

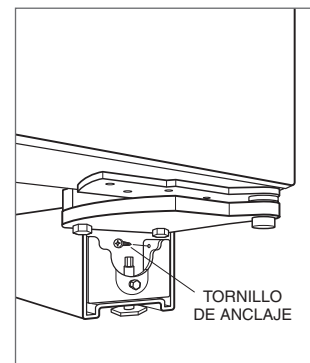
Para fijar la parte inferior de la unidad, introduzca un tornillo a través del orificio lateral dentro de cada conjunto de la base rodante. El tornillo debe entrar en un ángulo para que quede bien sujeto. Consulte la siguiente ilustración. Puede necesitar material adicional detrás de la cornamusa para asegurar que la unidad tenga un buen anclaje.

⚠ PRECAUCIÓN

Si los tornillos proporcionados no son adecuados para la instalación, utilice los tornillos adecuados.



Anclaje superior.



Anclaje inferior.

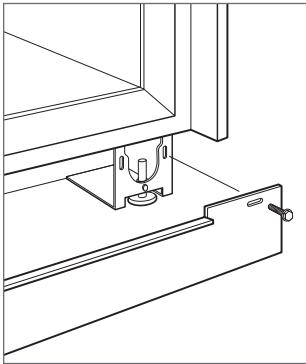
Finalización

INSTALACIÓN DEL ZÓCALO

Vuelva a instalar la bandeja de drenaje y compruebe que esté bien puesta.

Instale el zócalo y sujételo a los soportes con los tornillos dentro de cada una de las bases rodantes. Consulte la siguiente ilustración. El zócalo debe ser desmontable para sacarlo cuando sea necesario dar servicio a la unidad. El suelo no debe interferir al desmontarlo. Consulte la etiqueta técnica en el zócalo para conocer la especificación de altura libre.

Para encender la unidad pulse el botón de POWER en el panel de control.



Instalación del zócalo.

TOPE PARA PUERTA A 90°

La puerta abre a 110°. Un tope de para puerta a 90° se proporciona con la unidad (éste se encuentra detrás de la rejilla). Hay kits adicionales de topes para puerta a 90° disponibles a través de un distribuidor autorizado de Sub-Zero.

⚠ ADVERTENCIA

Siga todas las leyes estatales y locales para almacenar, reciclar o desechar los refrigeradores y congeladores no utilizados.

Table des matières

- 3 Cellier à vins
- 4 Préparation du site pour les modèles UW-24 / UW-24FS
- 6 Installation des modèles UW-24 / UW-24FS
- 10 Préparation du site du modèle BW-30
- 16 Installation du modèle BW-30

Remarque importante

Pour s'assurer que ce produit est installé et utilisé en toute sécurité et aussi efficacement que possible, prenez note des types de renseignements mis en évidence tout au long de ce guide :

REMARQUE IMPORTANTE met en évidence des renseignements qui sont particulièrement importants.

MISE EN GARDE indique une situation où une blessure mineure ou des dommages au produit peuvent se produire si les directives ne sont pas respectées.

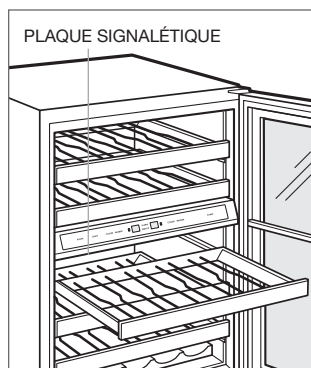
AVERTISSEMENT décrit un danger qui peut causer une blessure grave ou la mort si les précautions ne sont pas respectées.

REMARQUE IMPORTANTE : tout au long de ce guide, les dimensions entre parenthèses sont en millimètres à moins d'indication contraire.

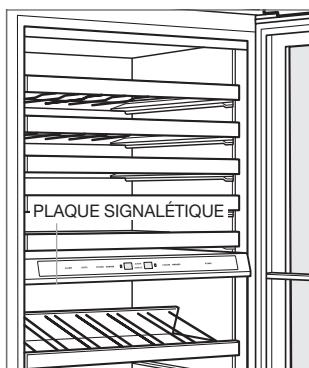
Renseignements sur le produit

Des renseignements importants sur le produit, y compris les numéros de modèle et de série, se trouvent sur la plaque signalétique du produit. La plaque signalétique est située sur le côté inférieur du panneau de commande, à la gauche. Reportez-vous aux illustrations ci-dessous.

Si vous avez besoin de service, communiquez avec le service Sub-Zero certifié par l'usine avec les numéros de modèle et de série. Pour obtenir le nom du centre de service Sub-Zero certifié par l'usine près de chez vous ou si vous avez des questions concernant l'installation, consultez la section Contact et assistance de notre site Web, subzero.com ou appelez le service à la clientèle de Sub-Zero au 800-222-7820.



Modèles UW-24 et UW-24FS.



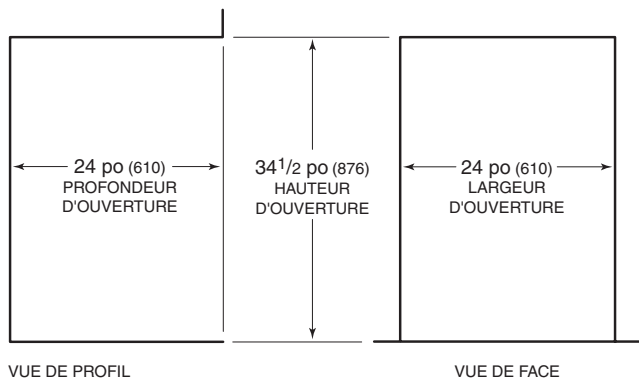
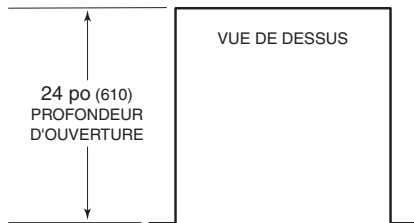
Modèle BW-30.

Outils et matériaux

- Tournevis—standard, cruciforme et Torx.
- Perceuse électrique.
- Mèches (des mèches à maçonnerie sont requises pour l'installation dans le béton).
- Ensemble de clés et de douilles standard.
- Niveaux de 2 pi et 4 pi.
- Des matériaux pour protéger la résidence, le plancher et les armoires pendant l'installation.

Dimensions de l'ouverture

MODÈLE UW-24



LARGEUR D'OUVERTURE DOUBLE **W**

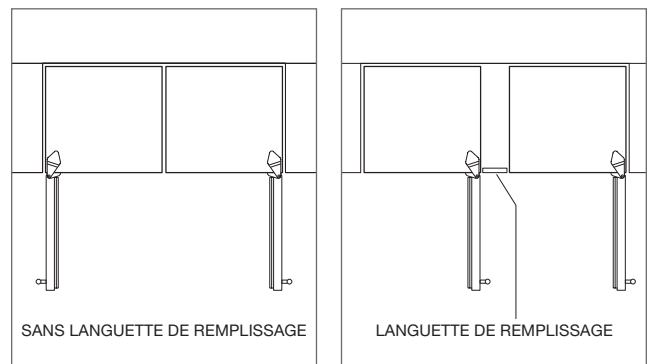
Deux modèles de 24 po (610) 48 1/8 po (1222)

Trousse d'installation double requise.

INSTALLATION DOUBLE

Si deux unités sont installées côte à côte, une trousse d'installation double pourra être requise. Les installations sans languette de remplissage personnalisée nécessitent une trousse d'installation double. Si une trousse d'installation double n'est pas précisée, une languette de remplissage de 2 po (51) est recommandée entre les unités. Les installations doubles sans languette de remplissage ne peuvent être réussies qu'en utilisant deux unités avec des charnières opposées. Reportez-vous aux illustrations ci-dessous.

Les trousse d'installation double sont offertes par les dépositaires Sub-Zero autorisés. Pour obtenir des renseignements sur votre dépositaire local, visitez la section salle d'exposition de notre site Web, subzero.com. Si vous avez des questions au sujet de l'installation, communiquez avec le service à la clientèle de Sub-Zero au 800-222-7820.



Charnières opposées.

Charnières du même côté.

Électricité

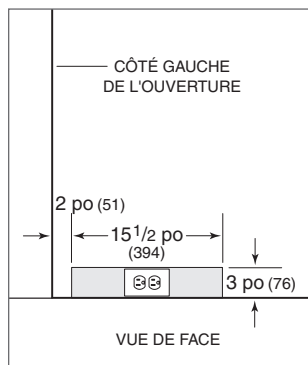
L'installation doit se conformer à tous les codes électriques applicables.

L'alimentation électrique doit se trouver à l'intérieur de la zone ombragée indiquée dans l'illustration ci-dessous. Un circuit séparé servant uniquement cet appareil est requis. Un disjoncteur de fuite de terre (GFCI) n'est pas recommandé et peut interrompre le fonctionnement.

REMARQUE IMPORTANTE : la prise doit être placée de façon à ce que la broche de mise à la terre se trouve à la droite des broches plus minces. La prise doit être à égalité avec le mur arrière.

EXIGENCES ÉLECTRIQUES	
Alimentation électrique	115 volts CA, 60 Hz
Disjoncteur	15 ampères
Prise	mise à la terre à trois broches

⚠ AVERTISSEMENT
N'utilisez pas une rallonge ou un adaptateur à deux broches et ne retirez pas la broche de mise à la terre du cordon d'alimentation.



Emplacement de l'alimentation électrique.

Préparation

Pour qu'elle fonctionne correctement, la porte doit s'ouvrir d'au moins 90°. Utilisez un remplissage d'au moins 3 po (76) dans les installations en coin pour vous assurer que la porte s'ouvre à 90°.

Sortez l'unité de la boîte et examinez-la pour vous assurer qu'elle n'est pas endommagée. Retirez et recyclez les matériaux d'emballage. Ne jetez pas la plaque de protection, le support antibasculement, la quincaillerie et les pieds de nivellement qui retiennent la base en bois au fond de l'unité.

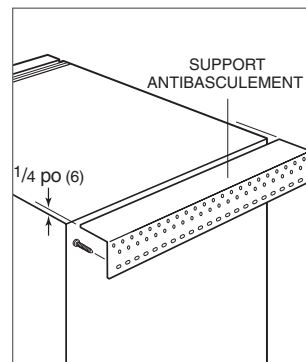
Support antibasculement

⚠ AVERTISSEMENT
Pour empêcher l'unité de basculer vers l'avant, le support antibasculement doit être installé.

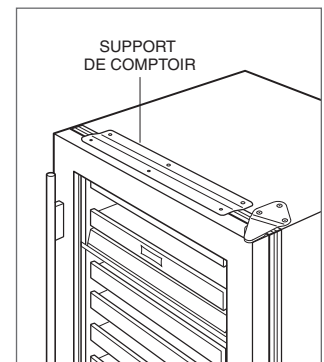
MODÈLE UW-24

Le support antibasculement doit être fixé au mur derrière l'unité avec la bride du support située à une distance de 1/4 po (6) au-dessus de la partie supérieure de l'unité. Reportez-vous à l'illustration ci-dessous. Si le support antibasculement n'est pas aligné adéquatement, il ne s'enclenchera pas correctement.

Pour les installations qui ne peuvent pas accommoder le support antibasculement, un support de comptoir est fourni pour fixer l'unité au comptoir. Reportez-vous à l'illustration ci-dessous.



Support antibasculement (UW-24).

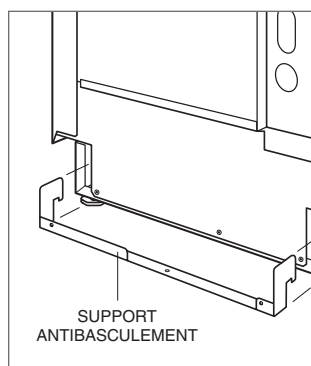


Support de comptoir.

Support antibasculement

MODÈLE UW-24FS

L'arrière du support antibasculement doit être installé à une distance de $24\frac{5}{8}$ po (625) de l'avant et centré derrière l'unité. Reportez-vous à l'illustration ci-dessous. Reportez-vous à la page 16 pour les applications avec un plancher en bois et en béton.



Support antibasculement (UW-24FS).

Panneau personnalisé

MODÈLE UW-24

Pour les applications à revêtement, un panneau de porte personnalisé doit être installé. La taille du panneau est critique pour obtenir un ajustement approprié. Pour vérifier les exigences et les dimensions des panneaux, reportez-vous au guide de conception Sub-Zero à subzero.com/specs.

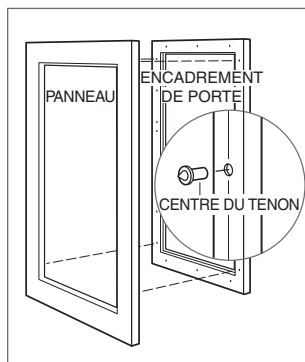
Finissez tous les côtés du panneau personnalisé. Ils peuvent être visibles lorsque la porte est ouverte ou à travers la porte en verre.

Le panneau de porte à revêtement personnalisé est fixé au moyen de vis fournies dans l'encadrement de la porte. Les emplacements des vis sont marqués à l'arrière du panneau personnalisé au moyen de centres de tenon insérés dans les trous de l'encadrement de la porte.

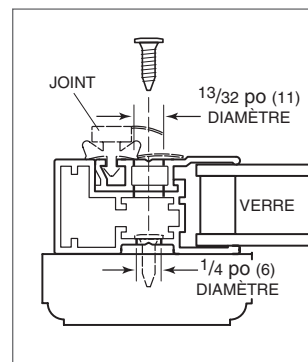
Une fois l'unité sécurisée et la porte fermée, tenez le panneau personnalisé à la position désirée sur la porte. Tapez légèrement le devant du panneau pour repérer les positions de montage. Retirez les centres de tenon.

L'encadrement de la porte possède des trous de montage pour accommoder les poignées accessoires de Sub-Zero. Si les trous de montage de poignée ne sont pas utilisés, la poignée doit être fixée au panneau personnalisé avant le montage. Les têtes de vis peuvent devoir être fraisées dans le panneau pour obtenir un ajustement adéquat.

Pour monter le panneau personnalisé, ouvrez la porte et utilisez les trous pré-perçés pour placer le panneau. Enfoncez les vis dans le panneau à travers le ruban noir sur l'encadrement de la porte. Les trous de vis sont cachés derrière le joint de la porte. Utilisez autant de vis que nécessaire pour fixer le panneau personnalisé. Reportez-vous à l'illustration ci-dessous.



Centre du tenon.



Vue transversale de l'encadrement de la porte.

Panneau personnalisé

Des réglages peuvent être effectués au panneau personnalisé avec quelques vis de montage en place, mais pas lorsqu'elles sont complètement serrées. Une fois la position désirée obtenue, installez et sécurisez toutes les vis.

Couvrez les trous à l'intérieur de l'encadrement de la porte avec les pastilles ou les bouchons fournis.

▲ MISE EN GARDE

Un panneau plein ne peut pas être installé sur la porte en verre. Des portes pleines sont offertes par les dépositaires Sub-Zero autorisés. Pour obtenir des renseignements sur votre dépositaire local, visitez la section salle d'exposition de notre site Web, subzero.com

Mise en place

▲ MISE EN GARDE

Avant de mettre l'unité en place, sécurisez la porte en position fermée et protégez tout plancher fini.

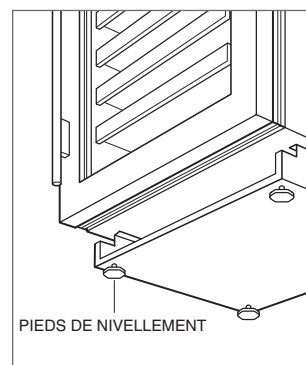
Utilisez un chariot à appareil pour déplacer l'unité près de l'ouverture.

Si l'unité a été posée sur le dos ou le côté, elle doit être mise debout pendant au moins 24 heures avant de relier l'alimentation.

Si l'unité sera reliée à un système d'alarme résidentiel, acheminez les fils dans le compartiment du compresseur avant de placer l'unité. Reportez-vous à la page 8. Une fois l'unité en place, la connexion des fils peut être effectuée à partir de l'avant.

Nivellement

Nivelez l'unité avant de la glisser en position. Tournez chacun des quatre pieds de nivellement dans le sens horaire pour soulever l'appareil et dans le sens antihoraire pour l'abaisser. Reportez-vous à l'illustration ci-dessous.



Nivellement.

Achèvement

Branchez le cordon d'alimentation dans la prise mise à la terre, puis glissez l'unité en place. Vérifiez que le support antibasculement est correctement enclenché.

Il peut s'avérer nécessaire d'installer l'unité à une distance de 1/4 po (6) au-delà de la surface avant des armoires adjacentes pour éviter toute interférence lorsque la porte est ouverte à 145°. Reportez-vous au gabarit pleine grandeur à la page 9.

CONNEXION AU SYSTÈME D'ALARME RÉSIDENTIEL

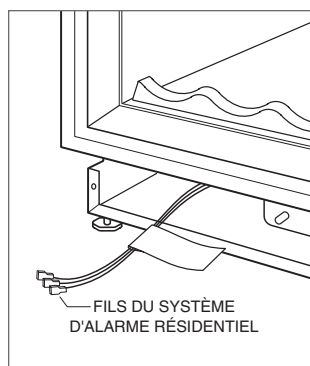
Si l'unité sera reliée à un système d'alarme résidentiel, effectuez les connexions aux fils montrées dans l'illustration ci-dessous. Reportez-vous aux codes de couleur suivants :

- Contacts normalement ouverts—fil blanc avec une rayure rouge.
- Contacts normalement fermés—fil blanc avec une rayure bleue.
- Commun—fil gris avec une rayure blanche.

Utilisez les bornes embrochables ou les coinçeurs à câble fournis pour effectuer des connexions de fil appropriées.

▲ MISE EN GARDE

Le circuit d'alarme de l'unité est conçu comme dispositif à faible tension, faible courant seulement. Il ne doit pas être utilisé pour modifier l'intensité de la ligne. Toute borne non utilisée doit être complètement isolée et tous les fils doivent être fixés loin de tout composant conducteur ou mobile.



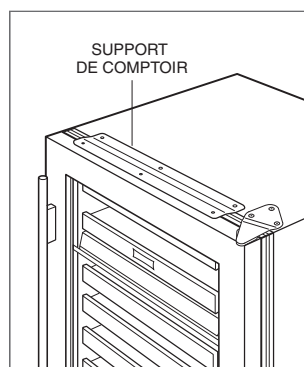
Connexion au système d'alarme résidentiel.

ANCRAGE

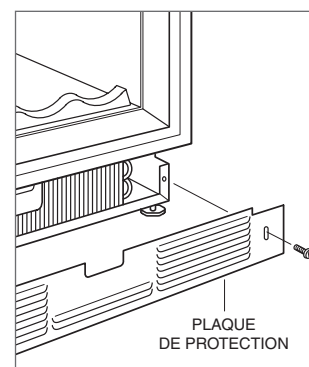
Pour ancrer, utilisez le support de comptoir fourni pour sécuriser l'unité à la partie inférieure du comptoir. Reportez-vous à l'illustration ci-dessous. Si le support de comptoir ne peut pas être utilisé, installez des calles le long du dessus et des côtés de l'unité.

INSTALLATION DE LA PLAQUE DE PROTECTION

Installez la plaque de protection au moyen des deux vis fournies. Reportez-vous à l'illustration ci-dessous. La plaque de protection doit pouvoir être enlevée pour toute réparation. Le plancher ne doit pas nuire à l'enlèvement. Ne couvrez pas la section à persiennes de la plaque de protection.



Ancrage.

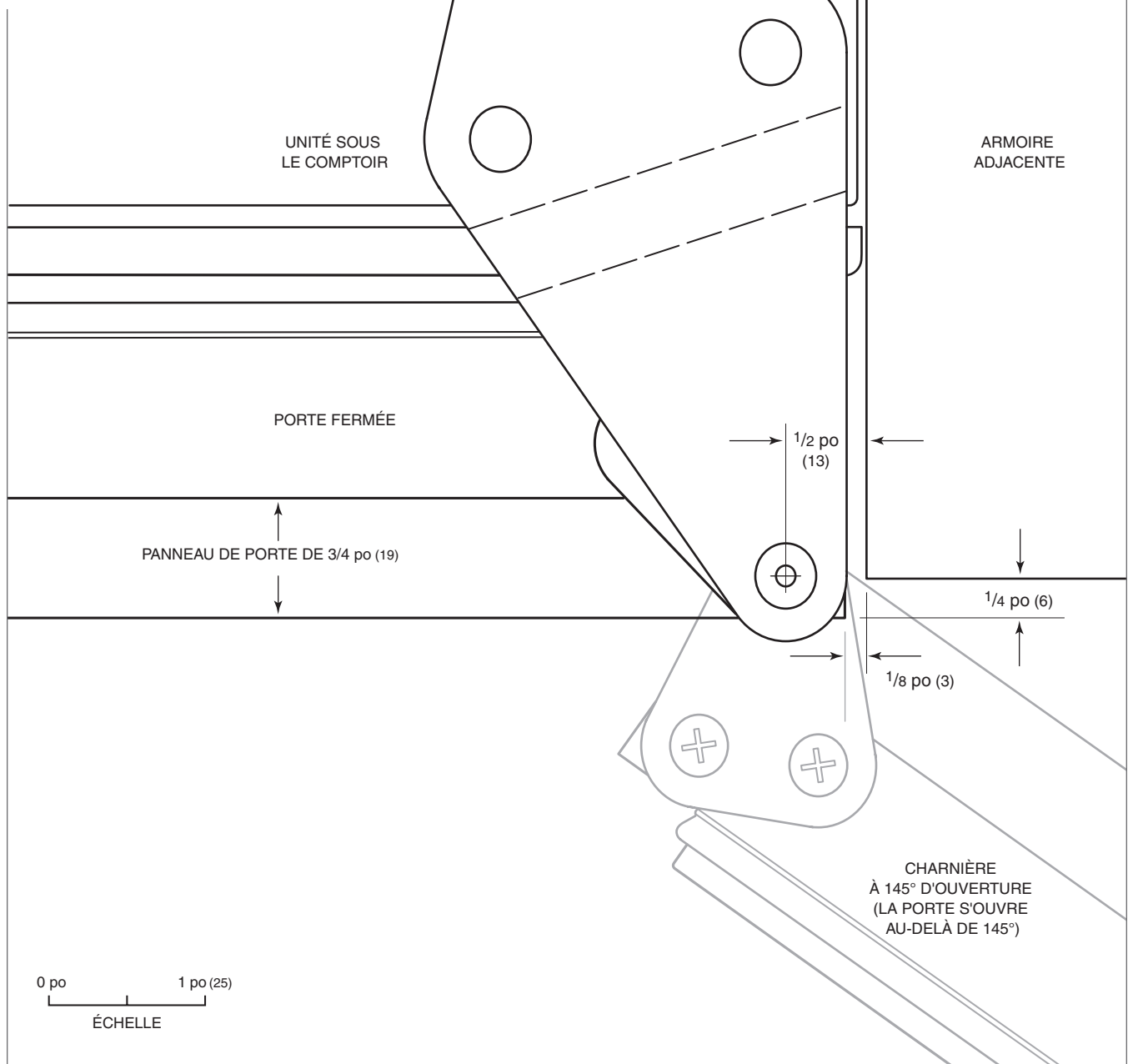


Installation de la plaque de protection.

Dégagement de la porte

GABARIT PLEINE GRANDEUR

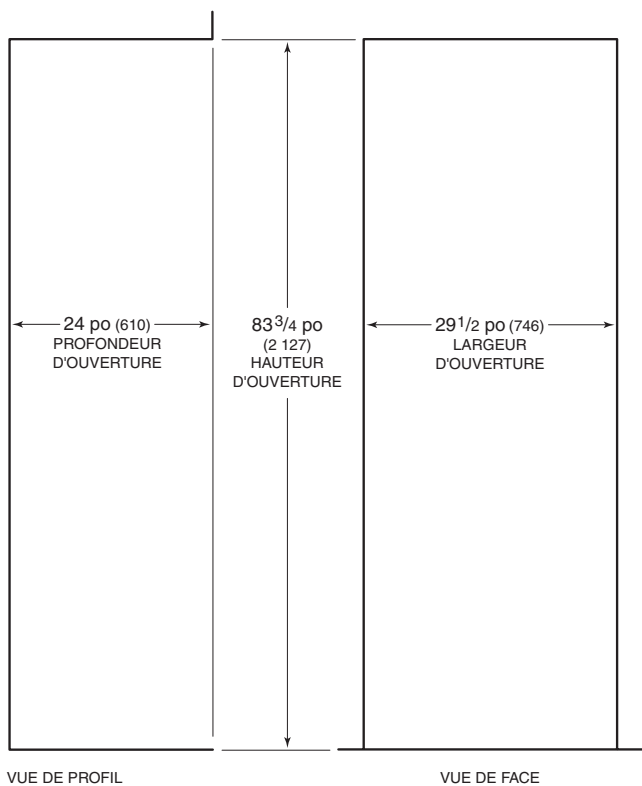
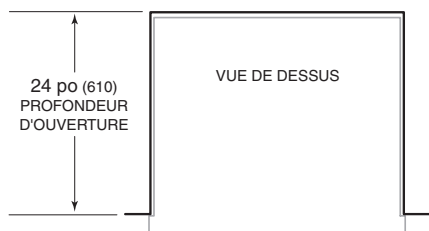
Pour permettre une ouverture de porte à 145°, l'unité doit se prolonger d'au moins 1/4 po (6) au-delà de la surface avant des armoires adjacentes. L'unité peut être installée à égalité, mais, il y a un risque d'interférence avec le panneau si la porte est ouverte à plus de 90°.



Ouverture de porte de 145° (vue de dessus).

Dimensions de l'ouverture

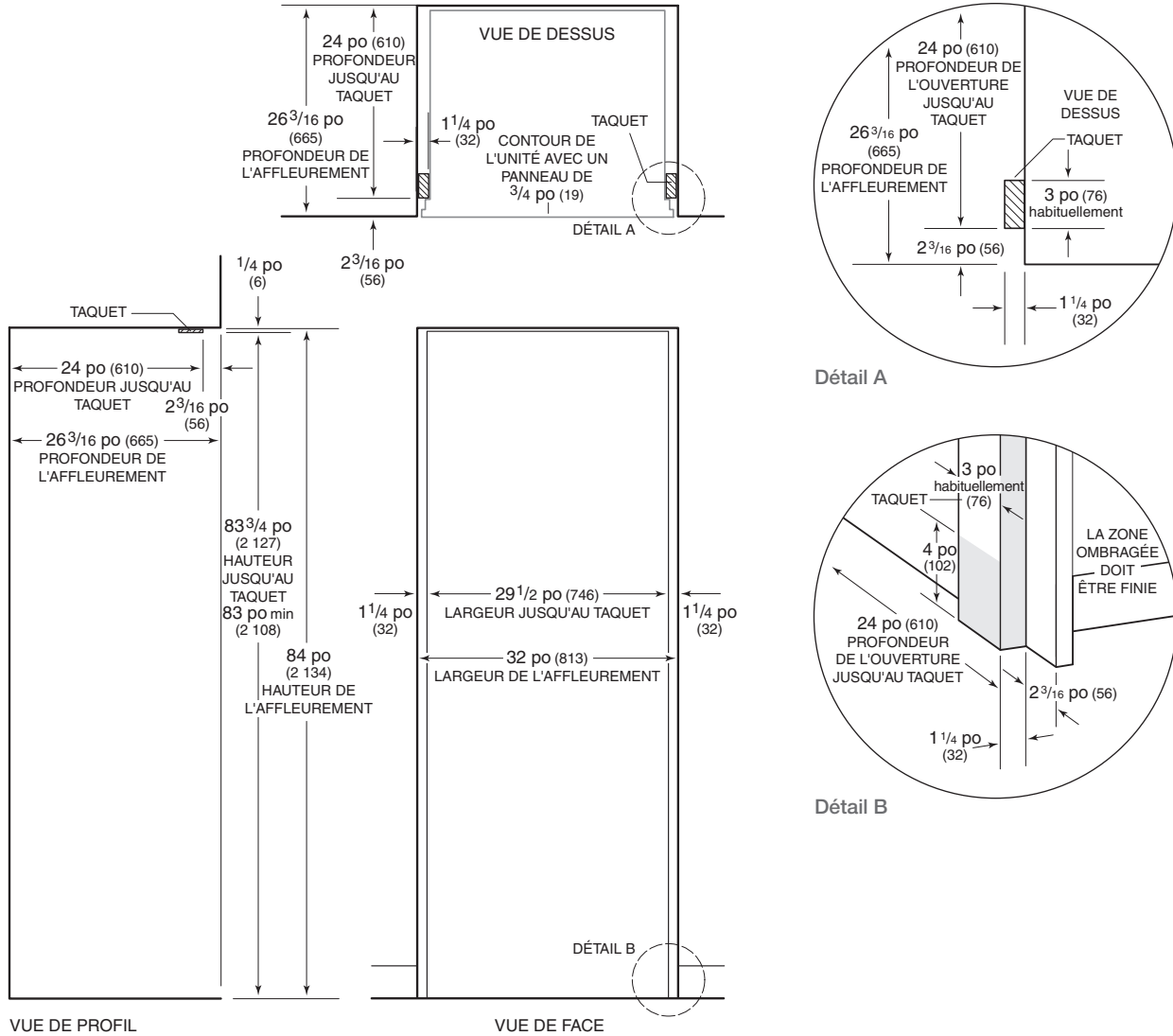
INSTALLATION STANDARD



Si deux unités sont installées côté à côté, reportez-vous à la page 12.

Dimensions de l'ouverture

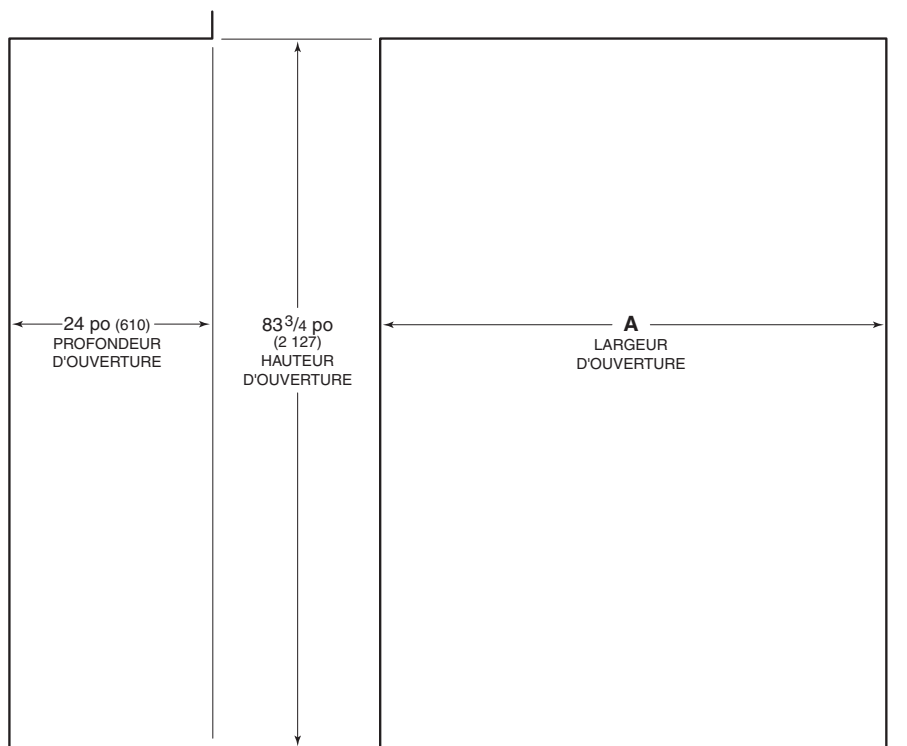
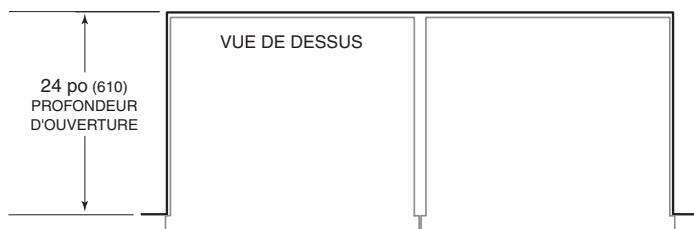
INSTALLATION À AFFLEUREMENT



Les dimensions assument une épaisseur de panneau de 3/4 po (19). Si deux unités sont installées côté à côté, reportez-vous à la page 13.

Dimensions de l'ouverture

INSTALLATION DOUBLE STANDARD



VUE DE PROFIL

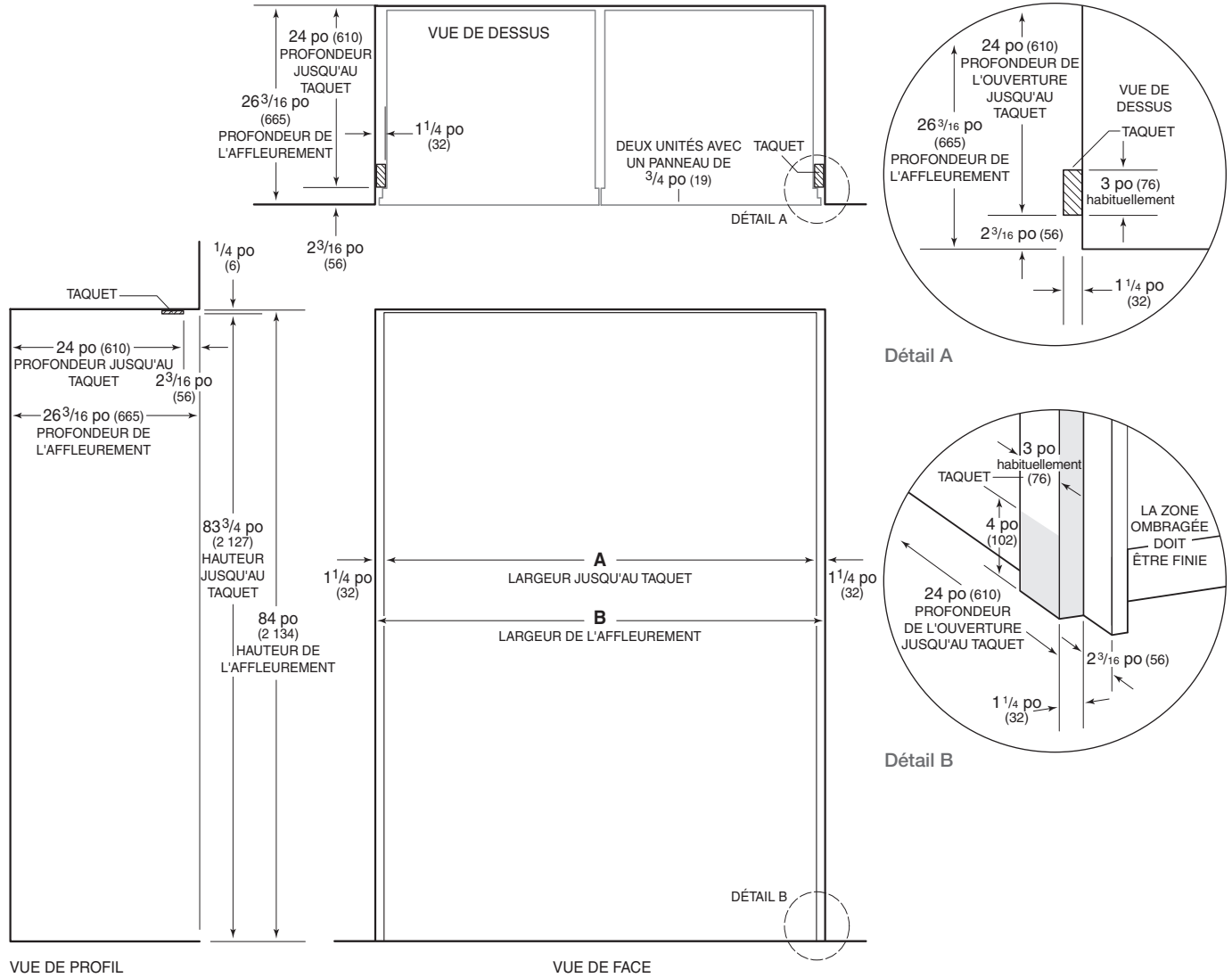
VUE DE FACE

LARGEUR DE L'OUVERTURE	A
Modèle BW-30 et intégré de 30 po	59 ³ / ₄ po (1 518)
Modèle BW-30 et intégré de 36 po	65 ³ / ₄ po (1 670)

Une trousse d'installation double sera requise pour cette installation.

Dimensions de l'ouverture

INSTALLATION DOUBLE À AFFLEUREMENT



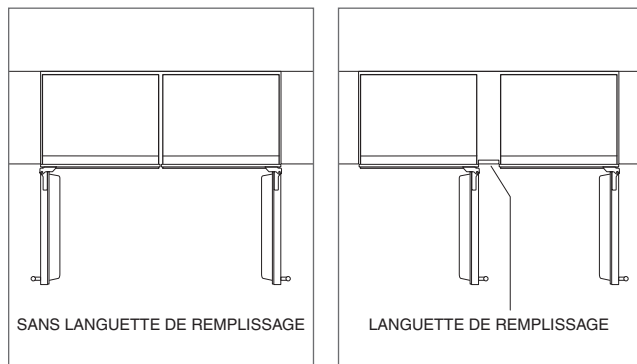
LARGEUR DE L'OUVERTURE	A	B
Modèle BW-30 et intégré de 30 po	59 ³ / ₄ po (1 518)	62 ¹ / ₄ po (1 581)
Modèle BW-30 et intégré de 36 po	65 ³ / ₄ po (1 670)	68 ¹ / ₄ po (1 734)

Les dimensions assument une épaisseur de panneau de 3/4 po (19). Une trousse d'installation double sera requise pour cette installation.

Installation double

Si deux unités sont installées côte à côte, une trousse d'installation double pourra être requise. Les installations sans languette de remplissage personnalisée nécessitent une trousse d'installation double. Si une trousse d'installation double n'est pas précisée, une languette de remplissage de 2 po (51) est recommandée entre les unités. Les installations doubles sans languette de remplissage ne peuvent être réussies qu'en utilisant deux unités avec des charnières opposées. Reportez-vous aux illustrations ci-dessous.

Les trusses d'installation double sont offertes par les dépositaires Sub-Zero autorisés. Pour obtenir des renseignements sur le dépositaire local, visitez la section Trouver une salle d'exposition de notre site Web, subzero.com. Pour des questions concernant l'installation, appelez le service à la clientèle de Sub-Zero au 800-222-7820.



Charnières opposées.

Charnières du même côté.

Électricité

L'installation doit se conformer à tous les codes électriques applicables.

L'alimentation électrique doit se trouver à l'intérieur de la zone ombragée indiquée dans l'illustration ci-dessous. Un circuit séparé servant uniquement cet appareil est requis. Un disjoncteur de fuite de terre (GFCI) n'est pas recommandé et peut interrompre le fonctionnement.

EXIGENCES ÉLECTRIQUES

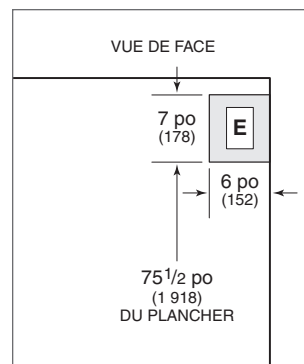
Alimentation électrique	115 volts CA, 60 Hz
Disjoncteur	15 ampères
Prise	mise à la terre à trois broches

⚠ MISE EN GARDE

Cette prise doit être vérifiée par un électricien qualifié pour s'assurer qu'elle est câblée avec la polarité appropriée. Assurez-vous que la prise est correctement mise à la terre.

⚠ AVERTISSEMENT

N'utilisez pas une rallonge ou un adaptateur à deux broches et ne retirez pas la broche de mise à la terre du cordon d'alimentation.



Emplacement de l'alimentation électrique.

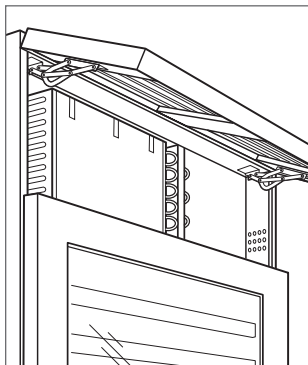
Préparation

Sortez l'unité de la boîte et examinez-la pour vous assurer qu'elle n'est pas endommagée. Retirez la base en bois et jetez les boulons et les supports d'expédition. Retirez et recyclez les matériaux d'emballage. Ne jetez pas la plaque de protection, les supports antibasculement et la quincaillerie.

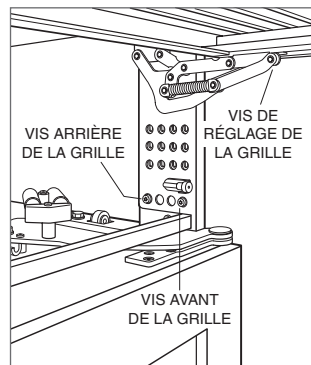
Rentrez complètement les pieds de nivellement avant afin de pouvoir déplacer l'unité jusqu'à son emplacement. Les pieds de nivellement avant et arrière peuvent être réglés à partir de l'avant lorsque l'unité est en place.

Retirez la cuvette d'égouttement pour éviter tout dommage et permettre de bien placer le chariot à appareil.

L'assemblage de la grille doit être retiré avant de déplacer l'unité. Pour retirer, tirez le rebord inférieur de la grille vers l'extérieur et tournez-le vers le haut. Desserrez les deux vis de montage arrière de la grille et retirez les deux vis de montage avant de la grille. En tenant la grille fermement, tirez vers l'avant pour la retirer. Reportez-vous aux illustrations ci-dessous.



Retrait de la grille.



Vis de montage de la grille

Support antibasculement

▲ AVERTISSEMENT

Pour empêcher l'unité de basculer vers l'avant, les supports antibasculement doivent être installés.

Les deux supports antibasculement doivent être installés à une distance exacte de 24 po (610) de l'avant de l'ouverture jusqu'à l'arrière des supports et à une distance d'au moins 4 po (102) des côtés de l'ouverture. Cette profondeur augmentera à 26³/₁₆ po (665) pour une installation à affleurement avec des panneaux de 3/4 po (19) d'épaisseur. Si les supports antibasculement ne sont pas alignés adéquatement, ils ne s'enclencheront pas correctement.

Utilisez toute la quincaillerie pour le support antibasculement selon les directives pour les planchers en bois ou en béton.

REMARQUE IMPORTANTE : pour les applications sur des planchers en bois ou en béton, si les vis n° 12 ne touchent pas un poteau mural ou une plaque murale, utilisez les vis n° 8 et les rondelles n° 12 avec les dispositifs d'ancrage au mur.

REMARQUE IMPORTANTE : dans certaines installations, le sous-plancher ou le plancher fini peuvent nécessiter l'inclinaison des vis utilisées pour fixer les supports antibasculement au mur arrière.

QUINCAILLERIE ANTIBASCULEMENT

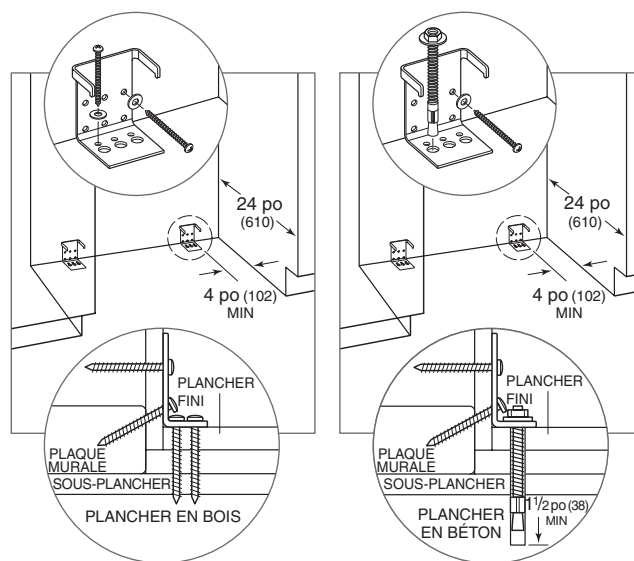
2	Supports antibasculement
12	Vis à tête cylindrique bombée n°12 x 2 1/2 po
4	Cales d'ancrage de 3/8 po-16 x 3 3/4 po
12	Rondelles plates n°12
4	Vis à tête bombée n°8-18 x 1 1/4 po
4	Dispositifs d'ancrage au mur à glissière en nylon Zip-it®

PLANCHER EN BOIS

Après avoir correctement repéré les supports antibasculement dans l'ouverture préliminaire, percez des avant-trous de 3/16 po (5) de diamètre au maximum dans les poteaux muraux ou la plaque murale. Utilisez les vis et les rondelles n° 12 pour fixer les supports. Vérifiez que les vis pénètrent dans le matériau du plancher et dans les poteaux muraux ou la plaque murale d'une distance d'au moins 3/4 po (19). Reportez-vous à l'illustration ci-dessous.

PLANCHER EN BÉTON

Après avoir correctement repéré les supports antibasculement dans l'ouverture préliminaire, percez des avant-trous de 3/16 po (5) de diamètre au maximum dans les poteaux muraux ou la plaque murale. Percez des trous de 3/8 po (10) de diamètre dans le béton d'une profondeur d'au moins 1 1/2 po (38). Utilisez les vis et les rondelles n° 12 pour fixer les supports au mur et utilisez les cales d'ancrage de 3/8 po (10) pour fixer les supports au plancher. Vérifiez que les vis pénètrent dans les poteaux muraux ou la plaque murale d'une distance d'au moins 3/4 po (19). Reportez-vous à l'illustration ci-dessous.



Plancher en bois.

Plancher en béton.

Support antibasculement

INSTALLATION DE LA CALE D'ANCRAGE POUR BÉTON

- 1 Percez un trou de $\frac{3}{8}$ po (10) de diamètre de toute profondeur excédant le noyage minimal. Nettoyez le trou ou continuez à percer plus profondément pour accommoder les fines de perçage.
- 2 Assemblez la rondelle et l'écrou à égalité avec l'extrémité de la cale d'ancrage pour protéger les filets. Enfoncez la cale d'ancrage dans le matériau à fixer jusqu'à ce que la rondelle soit à égalité avec la surface du matériau.
- 3 Ouvrez la cale d'ancrage en serrant l'écrou de trois à cinq tours au-delà de la position serrée à la main ou un couple de 25 pi-lb.

⚠ AVERTISSEMENT

Vérifiez qu'il n'y ait pas de fils électriques ou de plomberie dans la zone qui pourraient être pénétrés par les vis.

⚠ MISE EN GARDE

Portez toujours des lunettes de sécurité et utilisez d'autres dispositifs ou vêtements de protection nécessaires lors de l'installation ou du travail avec des dispositifs d'ancrage.

Il n'est pas recommandé d'utiliser des dispositifs d'ancrage dans de la maçonnerie légère comme des blocs ou de la brique, ou dans du nouveau béton qui n'a pas eu assez de temps pour sécher. L'utilisation de forets-alésoirs n'est pas recommandée pour percer les trous des cales d'ancrage.

Panneaux personnalisés

Pour les applications à affleurement et à revêtement, des panneaux de porte et de grille personnalisés doivent être installés. La taille du panneau est critique pour obtenir un ajustement approprié. Pour vérifier les exigences et les dimensions des panneaux, reportez-vous au guide de conception Sub-Zero à subzero.com/specs.

REMARQUE IMPORTANTE : les applications à affleurement nécessitent un jeu minimum de $\frac{1}{2}$ po (13) de tous les côtés.

Finissez tous les côtés du panneau personnalisé. Ils peuvent être visibles lorsque la porte est ouverte ou à travers la porte en verre.

⚠ MISE EN GARDE

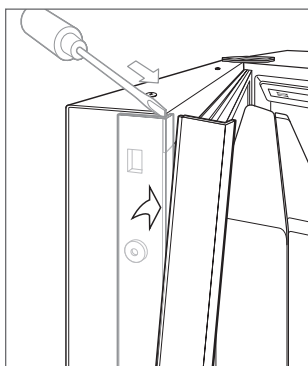
Un panneau plein ne peut pas être installé sur la porte en verre.

Installation des panneaux

PANNEAU DE PORTE

Pour installer le panneau de porte personnalisé, retirez la moulure de la garniture latérale de la poignée. Insérez la pointe d'un tournevis dans la fente du coin supérieur du côté de la poignée et faites sortir la garniture. Retirez les vis et le cadre. Reportez-vous à l'illustration ci-dessous.

La porte possède un cadre de 1/4 po (6) dans lequel le panneau personnalisé peut se glisser. Si le panneau mesure plus de 1/4 po (6) d'épaisseur, rainurez une bordure le long du panneau ou montez le panneau sur une feuille de matériau de 1/4 po (6) d'épaisseur, puis insérez-le dans le cadre.



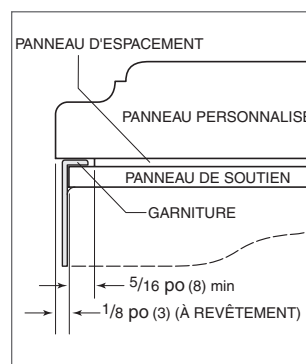
Garniture latérale de porte.

A. Un espace de 0,10 po (3) est requis entre le panneau d'appui et le panneau personnalisé pour permettre au panneau de glisser dans le cadre de la porte. Reportez-vous à l'illustration ci-dessous pour connaître les dimensions critiques.

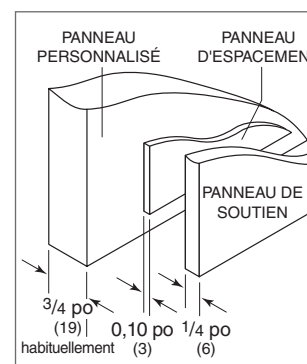
Installez la quincaillerie de poignée avant d'insérer le panneau. De grandes poignées en forme de D sont recommandées au lieu de boutons. Les têtes de vis doivent être fraisées dans le panneau.

Glissez le panneau dans le cadre.

Pour réinstaller la moulure de garnissage de la porte, insérez sa partie supérieure dans les rainures sur la partie supérieure de la porte et continuez vers le bas en enclenchant la garniture dans les pinces du cadre de la porte.



Section transversale de l'assemblage du panneau (à revêtement).



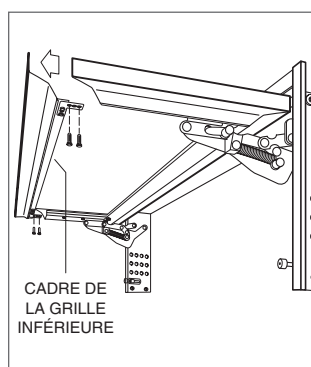
Vue arrière de l'assemblage du panneau.

Installation des panneaux

PANNEAU DE LA GRILLE

Retirez le cadre inférieur de la grille en extrayant les vis des deux coins inférieurs de chaque côté de l'assemblage de la grille. Reportez-vous à l'illustration ci-dessous.

Une fois la section inférieure retirée, glissez le panneau de grille personnalisé dans le cadre. Si le panneau mesure moins de 1/4 po (6) d'épaisseur, un matériau de remplissage devra être installé pour obtenir un ajustement adéquat. Une fois le panneau installé, remplacez le cadre inférieur de la grille en glissant les supports de coin en position, puis réinstallez les quatre vis de coin.



Assemblage du cadre de la grille.

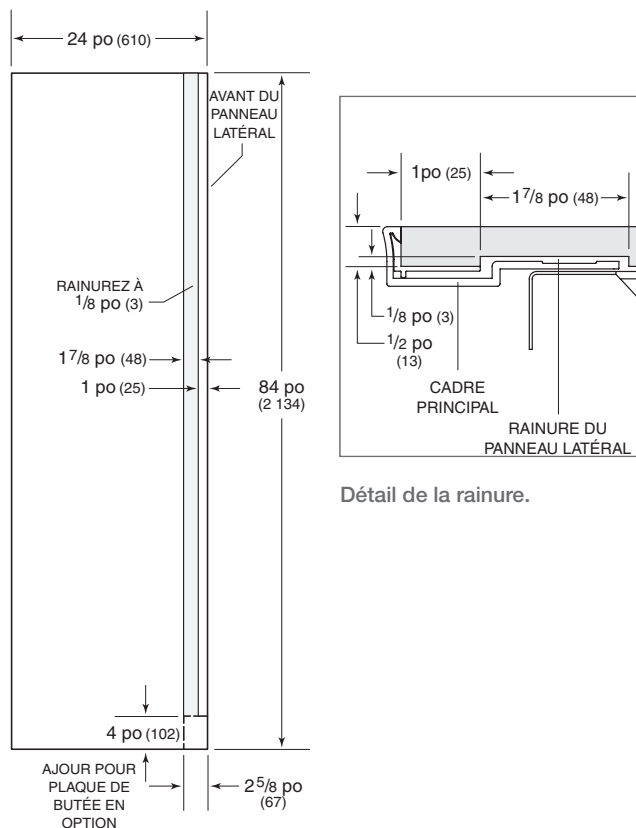
PANNEAU LATÉRAL

Lorsque vous installez un panneau latéral personnalisé, une trousse d'accessoire est requise et offerte par un dépositaire Sub-Zero autorisé. Pour obtenir des renseignements sur les dépositaires locaux, visitez la section Salle d'exposition de notre site Web, subzero.com. Des panneaux latéraux en émail blanc et en acier inoxydable sont aussi offerts chez les dépositaires Sub-Zero autorisés.

REMARQUE IMPORTANTE : l'utilisation de panneaux latéraux peut modifier la largeur de l'ouverture.

Un panneau personnalisé doit mesurer au moins 24 po (610) de profondeur et 1/2 po (13) d'épaisseur. Il sera nécessaire d'effectuer une rainure afin que le panneau latéral soit affleuré contre le côté de l'unité. Reportez-vous aux illustrations ci-dessous.

REMARQUE IMPORTANTE : la hauteur du panneau latéral variera selon la hauteur de la grille. Vérifiez la hauteur finie avant de modifier les panneaux.



Détail de la rainure.

Dimensions des panneaux latéraux.

Mise en place

▲ MISE EN GARDE

Avant de mettre l'unité en place, sécurisez la porte en position fermée et protégez tout plancher fini.

Utilisez un chariot à appareil pour déplacer l'unité près de l'ouverture.

Si l'unité a été posée sur le dos ou le côté, elle doit être mise debout pendant au moins 24 heures avant de relier l'alimentation.

Si l'unité sera reliée à un système d'alarme résidentiel, acheminez les fils dans le compartiment du compresseur avant de placer l'unité. Reportez-vous à la page 22. Une fois l'unité en place, la connexion des fils peut être effectuée à partir de l'avant.

Branchez le cordon d'alimentation dans la prise mise à la terre, puis roulez l'unité en place. Vérifiez que les supports antibasculement sont correctement enclenchés.

REMARQUE IMPORTANTE : le cas échéant, les panneaux latéraux doivent être installés avant que l'unité soit placée dans sa position finale. Reportez-vous à la page 19.

Alignement

NIVELLEMENT

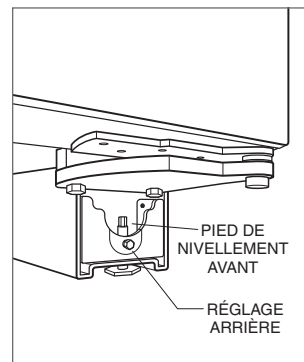
Une fois l'unité en position, tournez les pieds de nivellement avant dans le sens horaire pour régler la hauteur. Le réglage de la hauteur arrière peut être effectué à partir de l'avant de la base à roulettes. Au moyen d'une douille de $\frac{3}{8}$ po, tournez le boulon hexagonal de $\frac{3}{8}$ po dans le sens horaire pour relever l'unité ou dans le sens antihoraire pour l'abaisser. Utilisez le réglage de couple le plus bas lorsque vous utilisez une perceuse électrique. Ne tournez pas les pieds de nivellement arrière à la main. Reportez-vous à l'illustration ci-dessous.

Lorsque l'unité est correctement mise au niveau, des réglages à la porte sont moins susceptibles d'être nécessaires.

REMARQUE IMPORTANTE : nivelez l'unité en fonction du plancher, pas des armoires environnantes. Cela pourrait affecter le fonctionnement de l'unité, comme la fermeture de la porte.

▲ AVERTISSEMENT

Afin de réduire le risque de basculement vers l'avant de l'unité, les pieds de nivellement avant doivent être en contact avec le sol.



Nivellement.

Alignement

RÉGLAGE DE LA PORTE

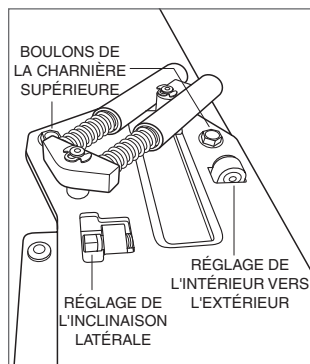
La porte peut être réglée vers l'intérieur ou l'extérieur, d'un côté ou de l'autre et de haut en bas.

Pour effectuer des réglages, desserrez légèrement les deux boulons de la charnière supérieure sur la plaque de charnière supérieure au moyen d'une clé de 1/2 po (13). Reportez-vous à l'illustration ci-dessous.

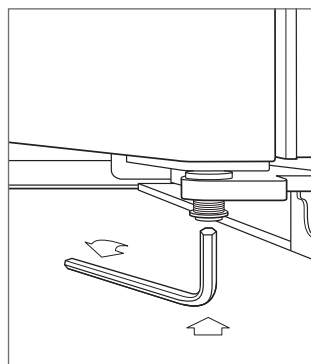
Réglage de l'intérieur vers l'extérieur | Pour une porte à charnière à gauche, au moyen d'une clé Allen de 5/32 po (4), tournez le boulon de réglage dans le sens horaire pour déplacer le côté de la poignée vers l'intérieur et dans le sens antihoraire pour déplacer le côté de la poignée vers l'extérieur. Inversez les directives pour une porte à charnière à droite.

Réglage d'inclinaison d'un côté à l'autre | Pour une porte à charnière à gauche, au moyen d'une clé de 3/8 po (4), tournez le boulon de réglage dans le sens horaire pour relever le côté où se trouve la poignée de la porte et dans le sens antihoraire pour abaisser le côté où se trouve la poignée. Inversez les directives pour une porte à charnière à droite.

Réglage de haut en bas | Pour une porte à charnière à gauche, au moyen d'une clé Allen de 1/4 po (6), tournez le boulon de réglage dans le sens horaire pour relever la porte et dans le sens antihoraire pour l'abaisser. Reportez-vous à l'illustration ci-dessous. Inversez les directives pour une porte à charnière à droite.



Boulons de réglage de la porte.

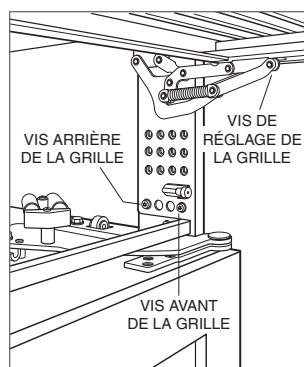


Réglage de haut en bas de la porte.

Achèvement

INSTALLATION DE LA GRILLE

Installez l'assemblage de la grille et vérifiez son ajustement. La grille est conçue pour être appuyée sur la charnière de porte supérieure afin de minimiser le jeu entre le dessus de la porte et le bas de la grille. Pour éliminer l'interférence, la hauteur de la grille peut être réglée. Desserrez les quatre vis de réglage de la grille (deux de chaque côté) et réglez la hauteur de la grille au besoin. Reportez-vous à l'illustration ci-dessous.



Réglage de la hauteur de la grille.

Achèvement

CONNEXION AU SYSTÈME D'ALARME RÉSIDENTIEL

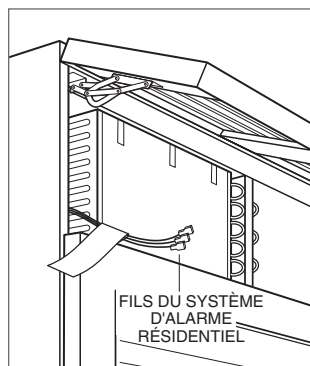
Si l'unité sera reliée à un système d'alarme résidentiel, effectuez les connexions aux fils montrés dans l'illustration ci-dessous. Reportez-vous aux codes de couleur suivants :

- Contacts normalement ouverts—fil blanc avec une rayure rouge.
- Contacts normalement fermés—fil blanc avec une rayure bleue.
- Commun—fil gris avec une rayure blanche.

Utilisez les bornes embrochables ou les coinçeurs à câble fournis pour effectuer des connexions de fil appropriées.

⚠ MISE EN GARDE

Le circuit d'alarme de l'unité est conçu comme dispositif à faible tension, faible courant seulement. Il ne doit pas être utilisé pour modifier l'intensité de la ligne. Toute borne non utilisée doit être complètement isolée et tous les fils doivent être fixés loin de tout composant conducteur ou mobile.



Connexion au système d'alarme résidentiel.

ANCRAGE

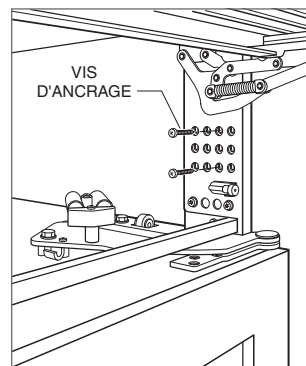
Une fois l'unité mise au niveau et le réglage de la porte terminé, ancrez l'unité à l'ouverture pour assurer un ajustement adéquat et sécuriser l'installation.

Pour ancrer la partie supérieure de l'unité, ouvrez la grille et installez les vis fournies à travers le cadre de la grille dans les armoires. Il y a plusieurs emplacements de trous. Reportez-vous à l'illustration ci-dessous. Vérifiez le dégagement de la porte en l'ouvrant.

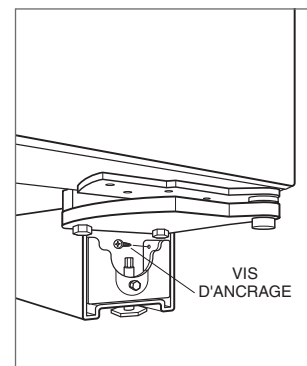
Pour ancrer la partie inférieure de l'unité, vissez une vis dans le trou latéral à l'intérieur de chaque assemblage de base de roulettes. La vis doit entrer en angle pour qu'elle se fixe correctement. Reportez-vous à l'illustration ci-dessous. Des matériaux supplémentaires peuvent être requis derrière le taquet pour assurer un ancrage suffisant.

⚠ MISE EN GARDE

Si les vis fournies ne sont pas appropriées pour l'installation, utilisez des vis adéquates.



Ancrage supérieur.



Ancrage inférieur.

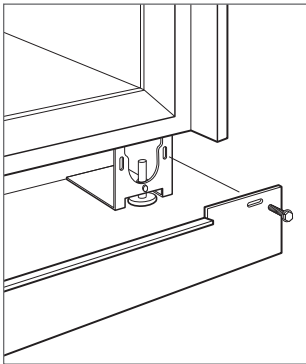
Achèvement

INSTALLATION DE LA PLAQUE DE PROTECTION

Réinstallez la cuvette d'égouttement et vérifiez qu'elle se trouve à la bonne position.

Installez la plaque de protection au moyen de vis pour la fixer aux supports situés à l'intérieur de chaque base de roulettes. Reportez-vous à l'illustration ci-dessous. La plaque de protection doit pouvoir être enlevée pour toute réparation. Le plancher ne doit pas nuire à l'enlèvement. Reportez-vous à l'étiquette se trouvant sur le support de la plaque de protection pour connaître la hauteur de dégagement.

Coupez le courant en appuyant sur la touche POWER sur le panneau de commande.



Installation de la plaque de protection.

BUTÉE DE PORTE DE 90°

La porte s'ouvre jusqu'à 110°. Une butée de porte de 90° est fournie avec l'unité (située derrière la grille). D'autres trousseaux de butée de porte à 90° sont offertes par les dépositaires Sub-Zero autorisés.

⚠ AVERTISSEMENT

Respectez toutes les lois provinciales et locales lors de l'entreposage, le recyclage ou l'élimination des réfrigérateurs et des congélateurs non utilisés.



SUB-ZERO, INC. P.O. BOX 44848 MADISON, WI 53744 SUBZERO.COM 800.222.7820

9006310 REV-A

8/2015

