

BI-30UG/O



FEATURES

- Monitor and control remotely with Wi-Fi connectivity

- Accepts custom panels for an integrated look within cabinetry or stainless-steel accessory panels and handles to match other Sub-Zero, Wolf, and Cove products

- Preserves refrigerated foods with cool, moist air and frozen foods with frigid, dry air

- Fight spoilage and odors with a NASA-inspired air purification system

- Locks in cold air to ensure freshness with magnetic door seals

- Keeps produce fresher with high-humidity, sealed crisper and deli drawers

- Controls temperature within one degree of setpoint

- Filters water and ice, removing contaminants, chlorine taste, and odor

- Yields ice automatically and "max ice" for additional production

- Display food via a single, triple-pane and UV-resistant glass door

- Ensures excellent visibility with bright halogen lights

- Refer to freshness cards for tips on food preservation, use, and care

ACCESSORIES

- 60" Dual Flush Inset Stainless Grille Panel

- 66" Dual Flush Inset Stainless Grille Panel

- 90° Door Stop

- Air Purification Cartridge

- Custom Side Panel Mounting Kit

- Dual Installation Kit

- Egg Container

- Extended Framed Handle Kit

- Framed Handle Kit

- Framed Louvered Grille Insert

- Grille Frame - 84"

- Pro Louvered Flush Inset Grille - 84"

- Stainless Steel Dual Flush Inset Door Panel with Pro Handle

- Stainless Steel Dual Flush Inset Door Panel with Tubular Handle

- Stainless Steel Dual Flush Inset Drawer Panel with Pro Handle - LH

- Stainless Steel Dual Flush Inset Drawer Panel with Pro Handle - RH

- Stainless Steel Dual Flush Inset Drawer Panel with Tubular Handle - LH

- Stainless Steel Dual Flush Inset Drawer Panel with Tubular Handle - RH

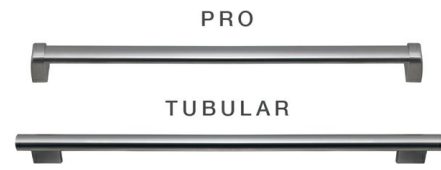
- Stainless Steel Flush Inset Door Panel with Pro Handle

- Stainless Steel Flush Inset Door Panel with Tubular Handle

- Stainless Steel Flush Inset Drawer Panel with Pro Handle



HANDLE ACCESSORIES



PRODUCT DETAILS

REFRIGERATOR

- 4 glass refrigerator shelves (3 adjustable; 1 stationary)
- 1 high-humidity crisper drawer with adjustable dividers
- 1 deli drawer with adjustable dividers
- 1 adjustable dairy compartment
- LED refrigerator and freezer lights

FREEZER

- 1 full-extension roll-out freezer drawer
- Automatic ice maker with removable ice container

Stainless Steel Flush Inset Drawer Panel with Tubular Handle

Stainless Steel Flush Inset Grille Panel

Stainless Steel Kickplate

Stainless Steel Side Panel

Water Filter

Water Filter By-Pass Plug

White Side Panel

Dual Installation Kit with Dual Wide Grille

Full-length standard and extended framed handles

Stainless Steel Pro Handles

Stainless Steel Tubular Handles

Built-In Louvered Grilles

Built-In Overlay or Flush Inset Grille Frames

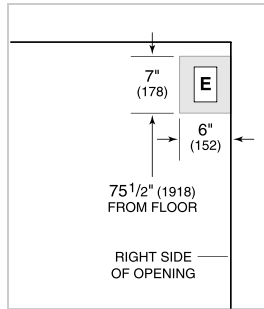
Accessories are available through an authorized dealer.
For local dealer information, visit subzero-wolf.com/locator.

Specifications are subject to change without notice. This information was generated on November 14, 2019. Verify specifications prior to finalizing your cabinetry/enclosures.

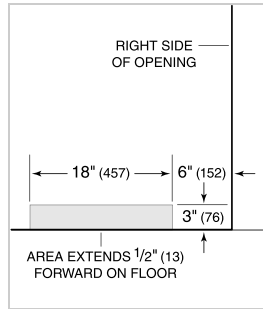
PRODUCT SPECIFICATIONS

Model	BI-30UG/O
Dimensions	30"W x 84"H x 24"D
Door Clearance	31 1/4"
Drawer Clearance	23 5/8"
Weight	476 lbs
Refrigerator Capacity	13.1 cu. ft.
Freezer Capacity	4.2 cu. ft.
Electrical Supply	115 VAC, 60 Hz
Electrical Service	15 amp dedicated circuit
Receptacle	3-prong grounding-type

ELECTRICAL



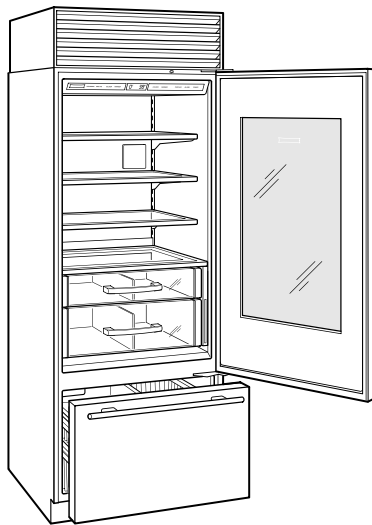
PLUMBING



PANEL SPECIFICATIONS For complete panels specifications including width/height, weight requirements, thickness requirements and offset details visit subzero-wolf.com/builtinconfigurator.

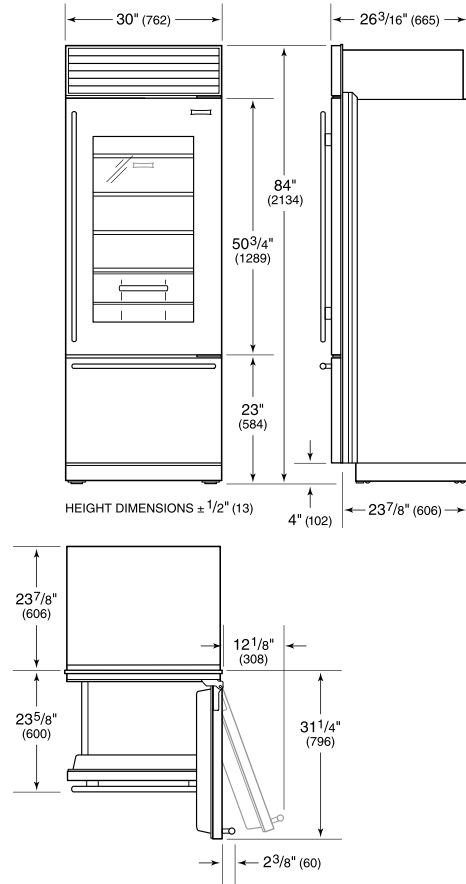
NOTE: Dimensions in parenthesis are in millimeters unless otherwise specified

INTERIOR VIEW

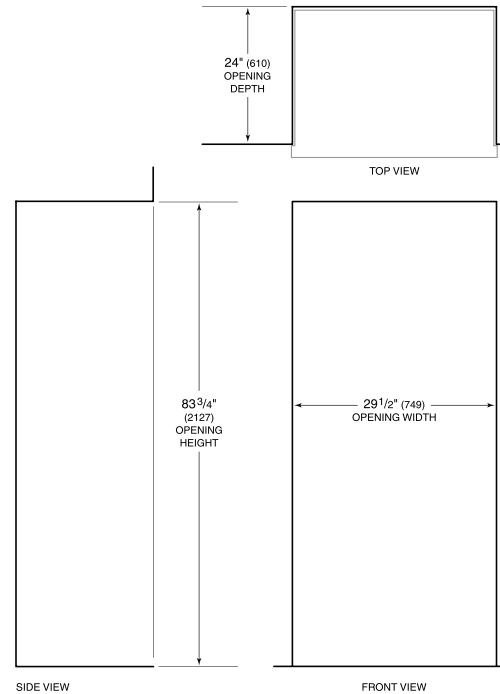


This illustration is intended for interior reference only and may not represent the exterior of the model being specified.

DIMENSIONS



STANDARD INSTALLATION



NOTE: Shaded line represents profile of unit.