





NINA MAGON
STUDIO•M

PRODUCT DESCRIPTION

Drawing inspiration from her acclaimed "Dreamcloud" experiential design at Art Basel Miami, Nina Magon reinterprets her otherworldly installation for use in the home or hospitality project. The exaggerated curve, definitive of Magon's lighting design, suspends iridescent bubble-like glass forms that appear to float across channels of LED illumination. Available in Heritage Brass and Gunmetal finishes, this Dreamer pairs perfectly with coordinating finishes in the Nina Magon lighting collection.

FINISHES OPTION

-  Black Chrome (BC)
-  Natural Aged Brass (NAB)

GLASS

Iridescent IR

MATERIAL

Steel, Aluminum, Silicone, Glass

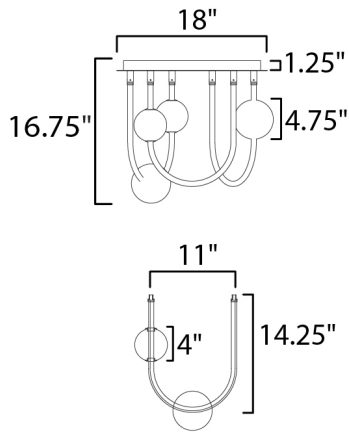
RATINGS

cETLus
Dry Location



ADDITIONAL

SLOPE:
RATED LIFE 20000 Hours
OPERATING TEMPERATURE:
-20°C (-4°F), 40°C (104°F)



MEASUREMENTS

DIMENSION : 18" L x 18" W x 16.75" H
CANOPY : 18" W x 1.25" H x 18" L
HANGING WEIGHT : 8.14 lb

LAMPING

INPUT VOLTAGE : 120-277V
LUMENS : 3,000 Rated (1,200 Del.)
BULB : 10W LED DC Integrated , 33W Total
BULB INCLUDED : (Included)
DIMMABLE : Triac, ELV, 0-10V
CRI : 90 CRI
COLOR_TEMP : 3000K

Always consult a qualified electrician before installing any lighting product.

STUDIO•M

Modifications or Customizations: Please email contract@studiomlighting.com
Sample Request: Please email order@studiomlighting.com with subject line
"Sample Order_ [Project Name] / [Specifier/Designer]"
All samples are subject to Studio M approval and must show proof of project and/or explanation.

Job Name:	Job Type:
Quantity:	Comments: