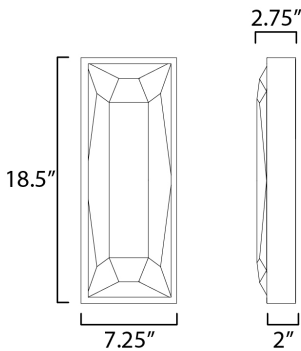




NINA|MAGON  
STUDIO•M

**PRODUCT DESCRIPTION**

Classic diamond facets were the concept behind the facets of the crystal shades in round or baguette rectangular frames. Just like a Medallion, they can be installed on the wall with ADA compliant extensions or onto your ceiling adding opulence to your space. The indirect LED light source is sealed within an irregularly faceted diffuser and a polished back plate creates a dazzling reflective display. Frames are finished in burnished Gold with a neutral, warm 3000k color temperature.



**MEASUREMENTS**

DIMENSION : 7.25" W x 18.5" H x 2.75" Ext  
 MAX OAH : 7.25" W x 18.5" H  
 HANGING WEIGHT : 15.4 lb

**LAMPING**

INPUT VOLTAGE : 120V  
 LUMENS : 2,400 Rated (1,920 Del.)  
 BULB : 32W LED AC Integrated , 32W Total  
 BULB INCLUDED : (Integrated)  
 DIMMABLE : Triac CL  
 CRI : 90 CRI  
 COLOR\_TEMP : 3000K  
 LIGHTING\_DIRECTION : Omni

**FINISHES OPTION**

 Gold (GLD)

**GLASS**

Beveled Crystal BC

**MATERIAL**

Steel, Crystal

**RATINGS**

cETLus  
 Damp Location  
 ADA



**ADDITIONAL**

INSTALL UP/DOWN: Any  
 SLOPE:  
 RATED LIFE 30000 Hours  
 OPERATING TEMPERATURE:  
 -20°C (-4°F), 40°C (104°F)

Always consult a qualified electrician before installing any lighting product.

STUDIO•M

Modifications or Customizations: Please email [contract@studiomlighting.com](mailto:contract@studiomlighting.com)  
 Sample Request: Please email [order@studiomlighting.com](mailto:order@studiomlighting.com) with subject line  
 "Sample Order\_ [Project Name] / [Specifier/Designer]"  
 All samples are subject to Studio M approval and must show proof of project and/or explanation.

Job Name:	Job Type:
Quantity:	Comments: