

Crescendo

SM23800WEPN

Cube framed fixtures of brass, steel, and wood have been transformed with the remarkable form of the Crescendo series. Pairing this innovative design with luxurious finishing, the solid wood cage is done in a dark Wenge, popularized in furniture, metalwork is done in a complimentary Polished Nickel finish. Complete this look with decorative filament lamps, either LED filament or vintage carbon Edison lamps.

Finish
Wenge & Polished Nickel

Shade/Glass
Merlot Tinted Glass

Measurements
W8" x H20" x E8"

Back Plate
HCO 10"

Bulb Specifications
2 X 60W Incandescent MB

Dimmable
Lutron CL

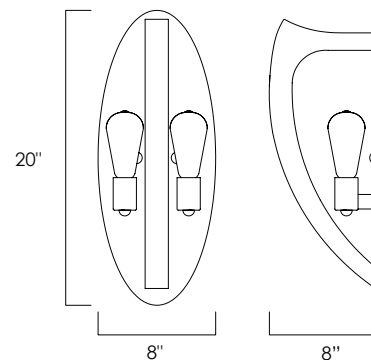
Certification
Dry Location



Finish:



Polished Nickel



STUDIO•M

A Maxim Group Company
StudioMlighting.com • 1.626.956.4209

Job Name:	Job Type:
Quantity:	Comments: