

10 CARAT

SM23787BCSNSBR

Having deconstructed the chandelier, 10 Carat offers formless function with jewel-like crystals suspended by Aluminum lamp holders and fiber cords run through a wire-constructed of tubing finished in Satin Brass.

Finish
Satin Brass with Satin Nickel

Shade/Glass
K9 Crystal

Measurements
W25.75" x H35.5" x L49.25"

Canopy/Back Plate
W16.5" x L40.25 x H1.25"

Min/Max OAH
31.5"/149.5"

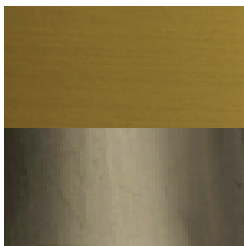
Bulb Specifications
10 x 3W LED PCB 3000K (integrated)

Color Rendering Index
CRI 80+

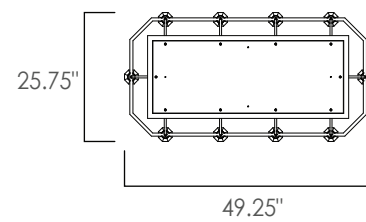
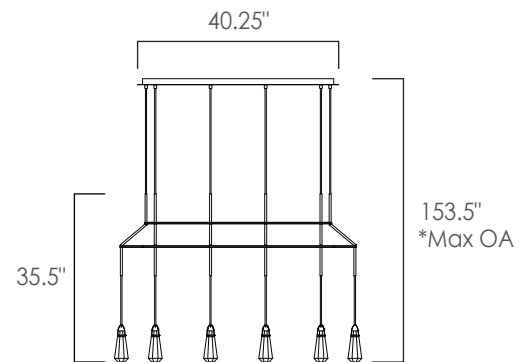
Initial Lumen
270 lm

Certification
ETL & CETL
Patent Pending

Finish



Satin Brass/
Satin Nickel



*max overall height

STUDIO•M

A Maxim Group Company
StudioMlighting.com • 1.626.956.4209

Job Name:	Job Type:
Quantity:	Comments: