

# 10 CARAT

SM23781BCSNSBR

Having deconstructed the chandelier, 10 Carat offers formless function with jewel-like crystals suspended by Aluminum lamp holders and fiber cords run through a wire-way constructed of tubing finished in Satin Brass.

**Finish**  
Satin Brass with Satin Nickel

**Shade/Glass**  
K9 Crystal

**Measurements**  
W8" x H14.25" x EXT6"

**Canopy/Back Plate**  
W1.5" x H12"

**Min/Max OAH**  
HCO 6"

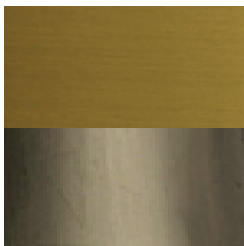
**Bulb Specifications**  
1 x 3W LED PCB 3000K (integrated)

**Color Rendering Index**  
CRI 80+

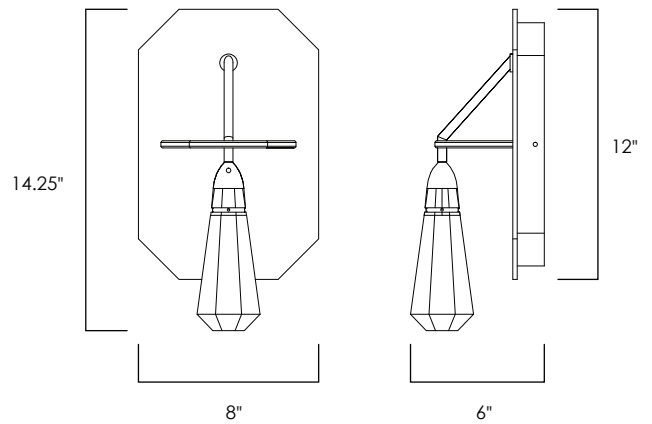
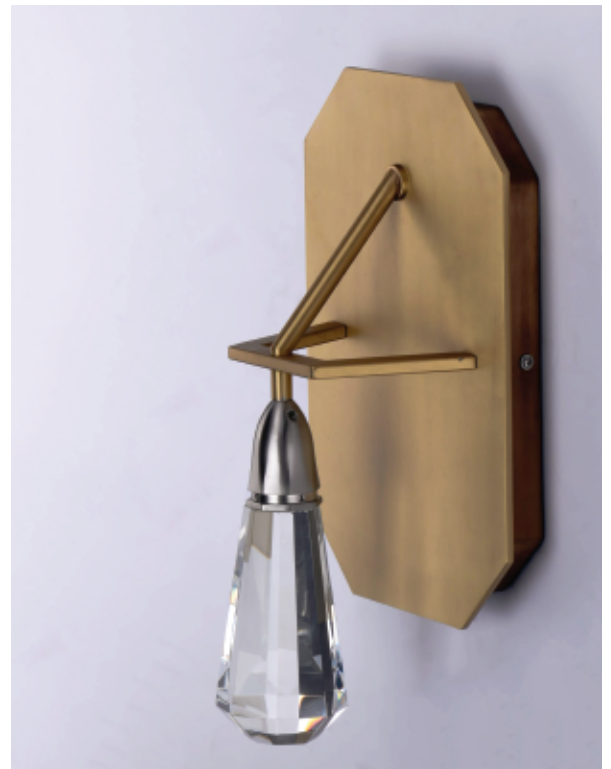
**Initial Lumen**  
270 lm

**Certification**  
ETL & CETL  
Patent Pending

**Finish**



Satin Brass/  
Satin Nickel



Job Name:	Job Type:
Quantity:	Comments: