

EMPIRE

SM23645BCFG

Architecturally inspired by cityscapes, the faceted-cut crystal forms replace conventional chandelier glass on the ring bar framework finished in French Gold. Additional down-lighting is diffused through jewel-like crystals.

Finish
French Gold

Shade/Glass
Beveled K9 Crystal

Measurements
W26.5" x H31.5"

Canopy/Back Plate
5" x 1"

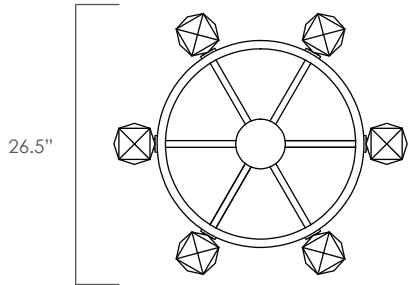
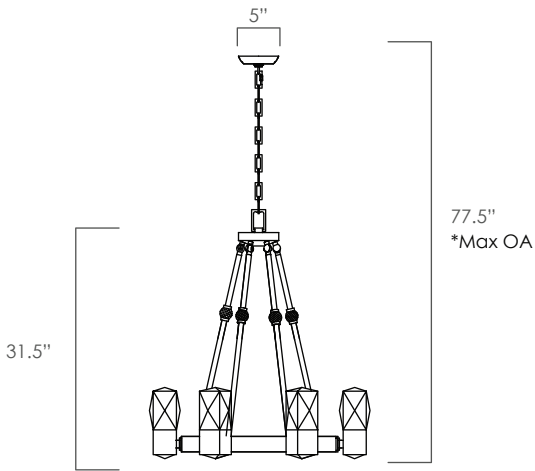
Min/Max OAH
31.5"/77.5"

Bulb Specifications
6 x 6W LED 3000K (integrated)
6 x 3W LED 3000K (integrated)

Color Rendering Index
CRI 80+

Initial Lumen
3780 lm

Certification
ETL & CETL



*max overall height

Finish Options:



French Gold



Polished Nickel

STUDIO•M

A Maxim Group Company
StudioMlighting.com • 1.626.956.4209

Job Name:	Job Type:
Quantity:	Comments: