

### Specification Sheets for The Simplicity line of bath vanities by Strasser Woodenworks.

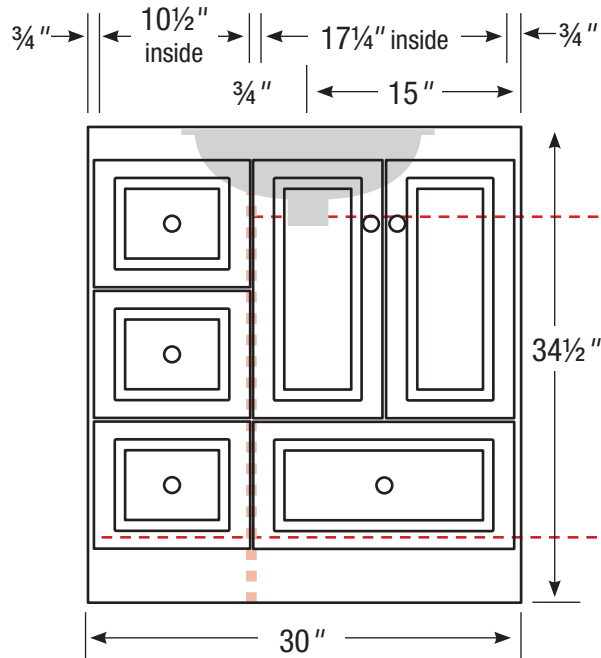
#### SPECIFICATION VARIANCES

Dimensions on finished vanities may vary slightly from those shown on these specification sheets due to variability in construction materials.

Our products are engineered to maintain close dimensional tolerances but variability in manufacturing materials can change dimensions slightly (normally within  $\pm 1/8$ " but occasionally up to  $\pm 3/16$ ").

In most applications these slight variations will have no impact upon installation, appearance, or function. However, when planning and finishing a space for a built in vanity, **do not frame or finish the space before measuring the actual cabinet!**

We can not be responsible for any expenses incurred as a result of the end user or contractor not following this guideline.



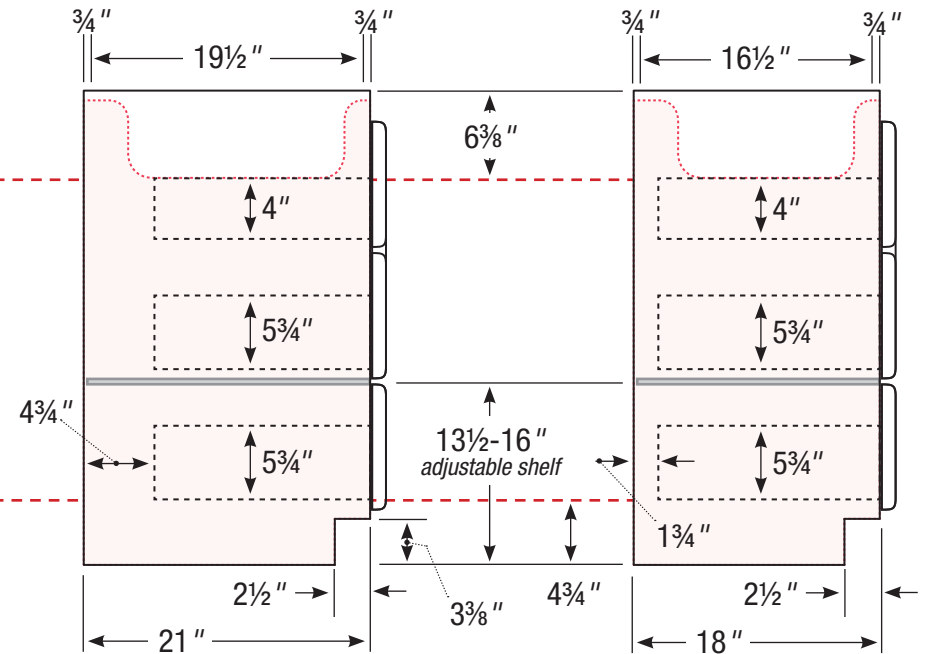
Basin placement range varies with brand and model.  
Shown is for Kohler 2210.

Internal Divider ■■■■■■

### 30" Vanity

Left hand drawers

30" wide  
34½" tall  
21" or 18" front-to-back



21" or 18" front-to-back option

Internal Dividers

