



C35 URBAN VESSEL

© 2001 STONE FOREST, INC.

Hand carved to thinnest possible tolerances.
Polished interior and exterior

Available in:

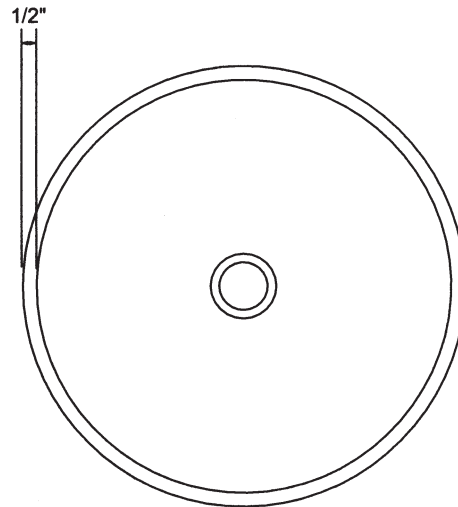
Absolute Black Granite (BL)
Carrara Marble (CA)
Honed Basalt (HB)
Honey Onyx (HO)
Multicolor Onyx (MO)
Papiro Cream Marble (PA)
Travertino Romano (TR)
White Onyx (WO)

Approx thickness at drain is 5/8".
Required drain use 9054D Grid Drain
or 9058D Lift & Turn. Drains are 1.25" NPT.
This can be supplied by Stone Forest at
your request in select finishes.

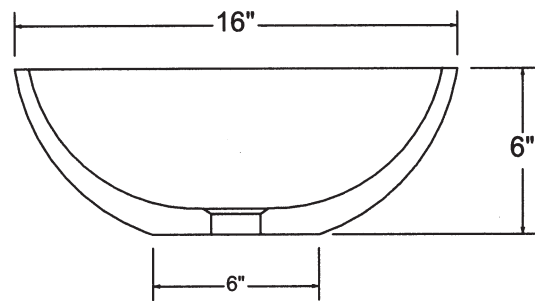
Do not use pop-up drains

Approx 20 lbs

UPC® listed



TOP VIEW



SIDE VIEW

STONE
FOREST