

# STERLING®

A KOHLER COMPANY

MIDDLETON®

## TOP-MOUNT KITCHEN SINK 14633

ADA

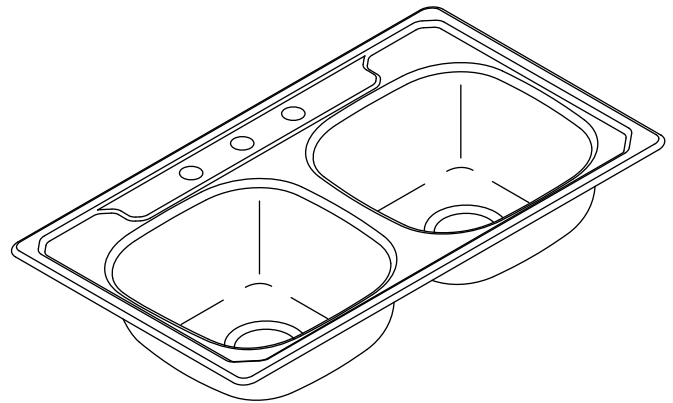
### Features

- 20-gauge stainless steel
- Includes SilentShield® sound-absorption technology
- Double (equal) bowl, ledge back sink
- Top-mount, rolled rim
- 33" (838 mm) x 22" (559 mm) x 6" (152 mm)

### Codes/Standards Applicable

Specified model meets or exceeds the following:

- ADA
- ASME A112.19.3/CSA B45.4
- ICC/ANSI A117.1



### Colors/Finishes

- NA: None applicable

### Accessories

- CP: Polished Chrome

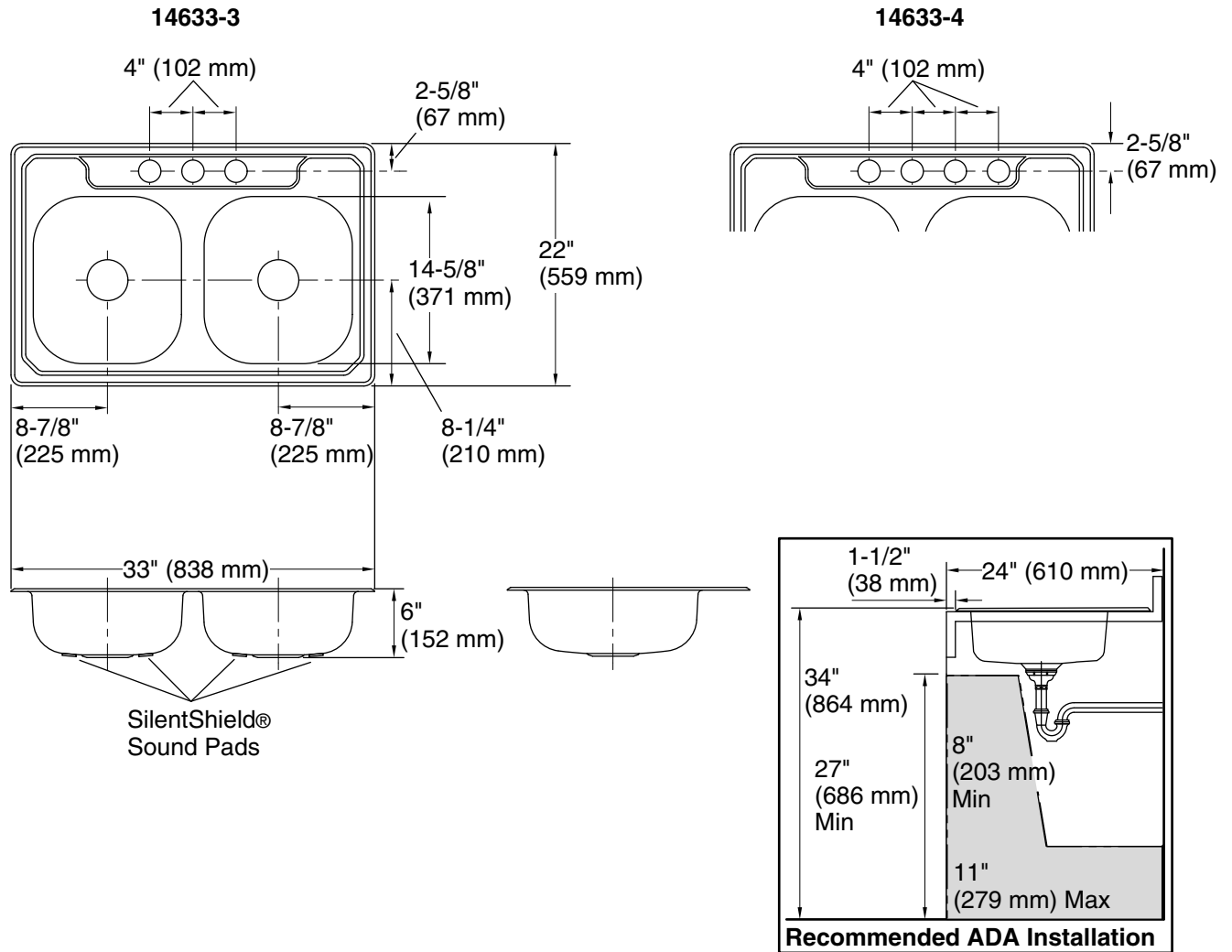
### Specified Model

| Model                       | Description                                  | Faucet Holes | Quantity | Basin Depth | Colors/ Finishes            |
|-----------------------------|--|--------------|----------|-------------|-----------------------------|
| 14633-3                     | Top-mount kitchen sink (shown)               | 3            | 1        | 6" (152 mm) | <input type="checkbox"/> NA |
| 14633-4                     | Top-mount kitchen sink                       | 4            | 1        | 6" (152 mm) | <input type="checkbox"/> NA |
| 14633-3F                    | Top-mount kitchen sink, multi-pack           | 3            | 50       | 6" (152 mm) | <input type="checkbox"/> NA |
| 14633-4F                    | Top-mount kitchen sink, multi-pack           | 4            | 50       | 6" (152 mm) | <input type="checkbox"/> NA |
| <b>Optional Accessories</b> |  |              |          |             |                             |
| K-8813                      | Stainless steel sink strainer with tailpiece |              |          |             | <input type="checkbox"/> CP |

# MIDDLETON®

## Technical Information

|   |                                     |
|---|-------------------------------------|
| Fixture*: Sink                                  |                                     |
| Bowl area                                       | 13-3/4" (349 mm) x 15-1/2" (394 mm) |
| Drain holes                                     | Ø 3-5/8" (92 mm)                    |
| Faucet holes                                    | Ø 1-7/16" (37 mm)                   |
| * Approximate measurements for comparison only. |                                     |
| Cutout size                                     | 32-1/2" (826 mm) x 21-1/2" (546 mm) |



## Product Diagram