



# Middleton®

## Top-mount Kitchen Sink

### 14710-3

#### Features

- Rectangular bowl.
- Three faucet holes.
- Satin deck and luster bowl finishes.
- Includes SilentShield® sound-absorption system.
- 14710-3 = single pack.
- F14710-3 = 40 per pack.
- 25" (635 mm) x 22" (559 mm) x 7" (178 mm)

#### Material

- 20-gauge stainless steel.

#### Installation

- Top-mount.

#### Recommended Accessories

7400 Duostrainer™ Sink Strainer

#### Components

Product includes:

1150001 Installation Clips

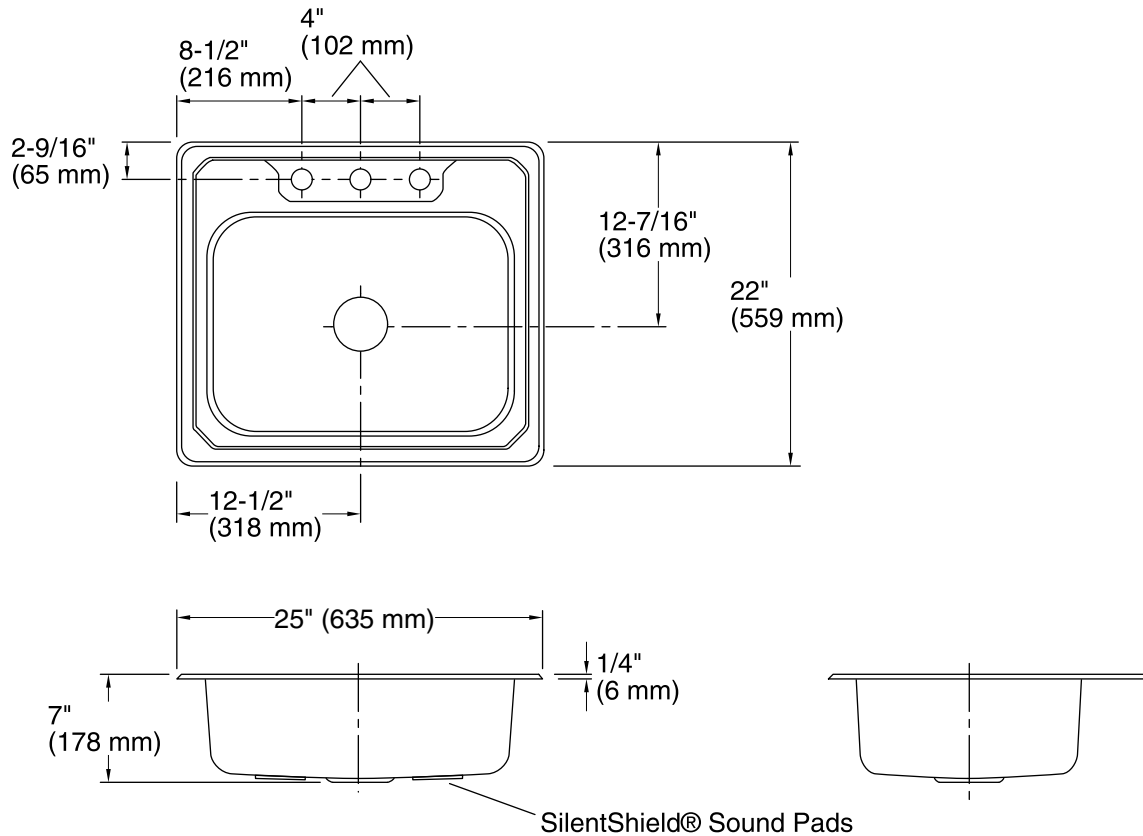


#### Codes/Standards

ASME A112.19.3/CSA B45.4

#### STERLING® Warranty - Stainless Steel Sinks

See website for detailed warranty information.



**Technical Information**

All product dimensions are nominal.

- Bowl configuration: Single
- Installation: Top-mount
- Cutout: Top-mount, 24-1/2" x 21-1/2" (622 mm x 546 mm) with 1/2" (13 mm) radius corners
- Min. base cabinet width: 27" (686 mm)
- Bowl area (Only)
  - Length: 21" (533 mm)
  - Width: 15-1/4" (387 mm)
  - Bowl depth: 7" (178 mm)
  - Water depth: 7" (178 mm)
- Number of deck holes: 3
- Faucet hole(s): 1-7/16" (37 mm)
- Drain hole: 3-5/8" (92 mm)

**Notes**

- Install this product according to the installation instructions.
- Measure your actual product for roughing-in details.