

STERLING®

A KOHLER COMPANY

SOUTHHAVEN™

SELF-RIMMING KITCHEN SINK 11850

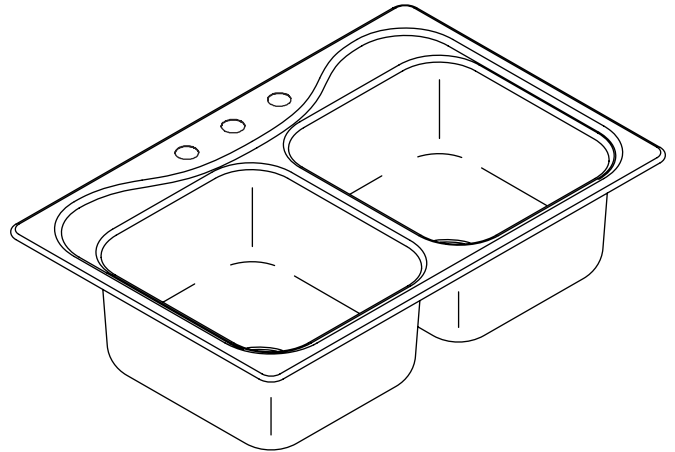
Features

- Double basin, ledge back sink
- 18-gauge stainless steel
- Self-rimming; rolled rim
- SilentShield™ sound deadening
- Luster Finish
- 33" (83.8 cm) x 22" (55.9 cm) x 8-1/2" (21.6 cm)

Codes/Standards Applicable

Specified model meets or exceeds the following:

- ASME A112.19.3
- IAPMO/UPC
- CSA International
- CSA B45.0
- CSA B45.4



Colors/Finishes

- NA: None applicable

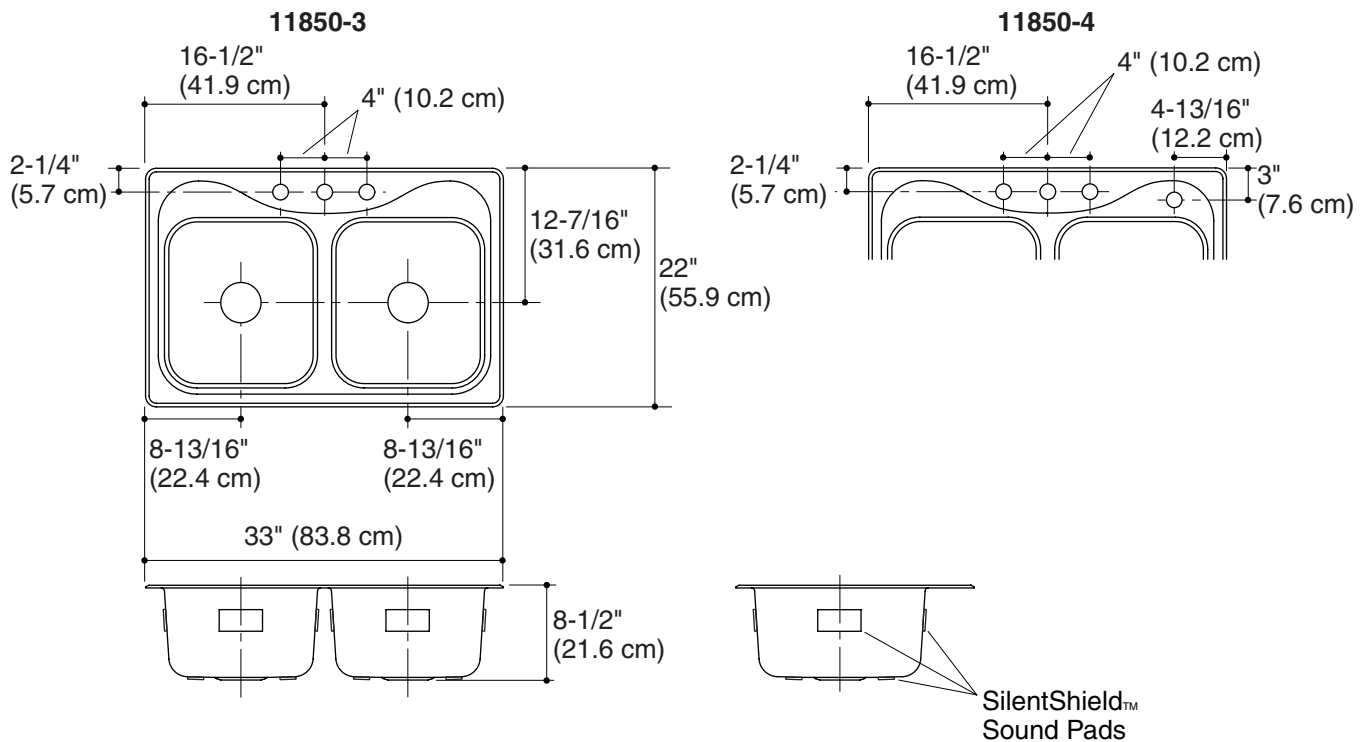
Specified Model

Model	Description	Colors/Finishes
11850-3-NA	3-hole sink (shown)	<input type="checkbox"/> NA
11850-4-NA	4-hole sink	<input type="checkbox"/> NA

SOUTHHAVEN™

Technical Information

Fixture*:	
Cutout size	32-1/2" (82.6 cm) x 21-1/2" (54.6 cm) with 1/2" (1.3 cm) radius corners
Basin area	14" (35.6 cm) x 15-1/8" (38.4 cm)
Drain hole	3-5/8" (8.6 cm) D.
Faucet holes	1-7/16" (3.7 cm) D.
* Approximate measurements for comparison only.	



Product Diagram