

STERLING®

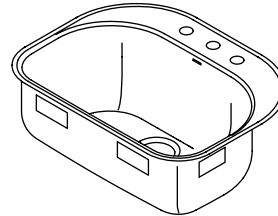
A KOHLER COMPANY

CINCH™

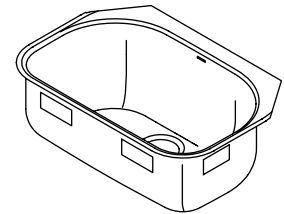
KITCHEN SINK 11722

Features

- 18-gauge stainless steel
- One-piece steel construction
- Undermount design
- Luster finish
- Available with or without integrated faucet deck
- D-Bowl
- Includes SilentShield® sound-absorption technology
- 26-7/16" (672 mm) x 16-13/16" (427 mm) x 9-5/16" (237 mm) [11722]
- 26-7/16" (672 mm) x 20-3/8" (518 mm) x 9-5/16" (237 mm) [11722-1] [11722-3]



11722-3



11722

Codes/Standards Applicable

Specified model meets or exceeds the following:

- ASME A112.19.3/CSA B45.4

Colors/Finishes

- NA: None applicable

Specified Model

Model	Description	Faucet Holes	Colors/Finishes
11722	Kitchen sink without integrated faucet deck (shown)	<input type="checkbox"/> 0	<input type="checkbox"/> NA
11722-1	Kitchen sink with integrated faucet deck	<input type="checkbox"/> 1	<input type="checkbox"/> NA
11722-3	Kitchen sink with integrated faucet deck (shown)	<input type="checkbox"/> 3	<input type="checkbox"/> NA

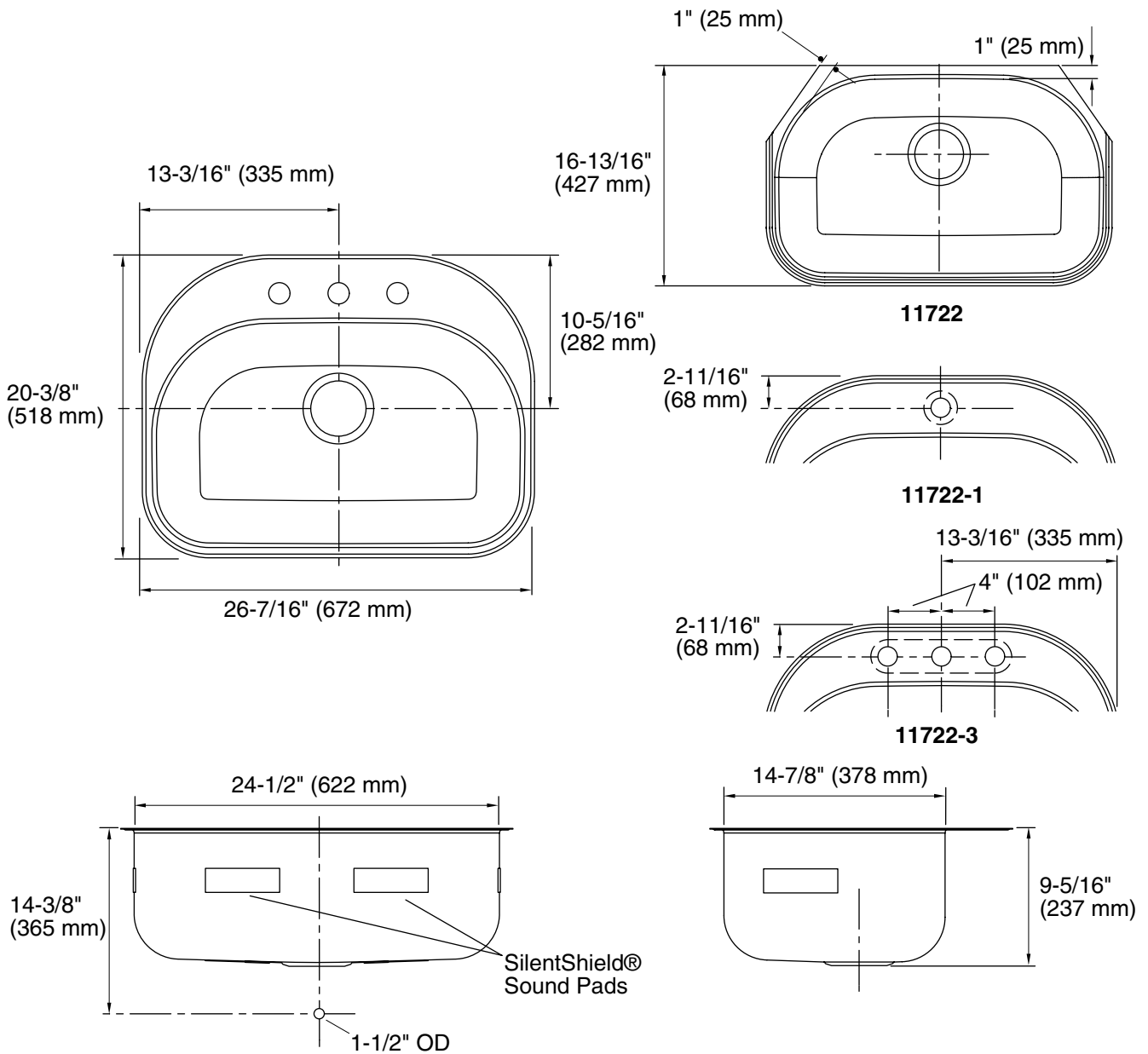
Technical Information

Fixture*:	
Basin area	24-1/2" (622 mm) x 14-7/8" (378 mm)
Basin depth	9-5/16" (237 mm)
Drain hole	Ø 3-5/8" (92 mm)
Faucet hole	Ø 1-3/8" (35 mm)
* Approximate measurements for comparison only.	

Included components:	
Hardware kit	91915
Cut-out template	1105665-7

Installation Notes

Install this product according to the installation guide.



Product Diagram