

TOP-MOUNT KITCHEN SINK 11400

ADA

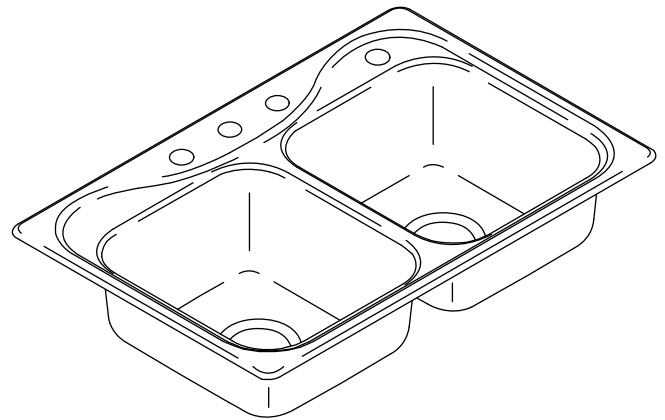
Features

- 20-gauge stainless steel
- Includes SilentShield® sound-absorption technology
- Double (equal) bowl, ledge back sink
- Top-mount, rolled rim
- Satin deck finish
- Luster bowl finish
- 33" (838 mm) x 22" (559 mm) x 6-1/2" (165 mm)

Codes/Standards Applicable

Specified model meets or exceeds the following:

- ADA
- ASME A112.19.3/CSA B45.4
- ICC/ANSI A117.1
- State of Massachusetts



Colors/Finishes

- NA: None applicable

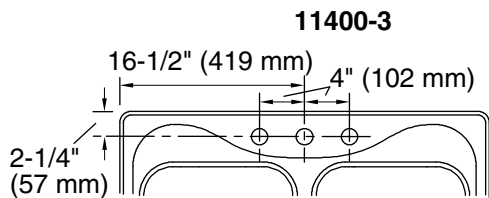
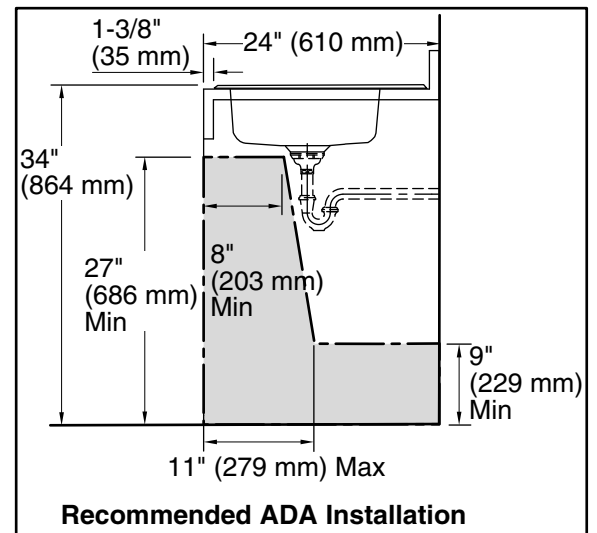
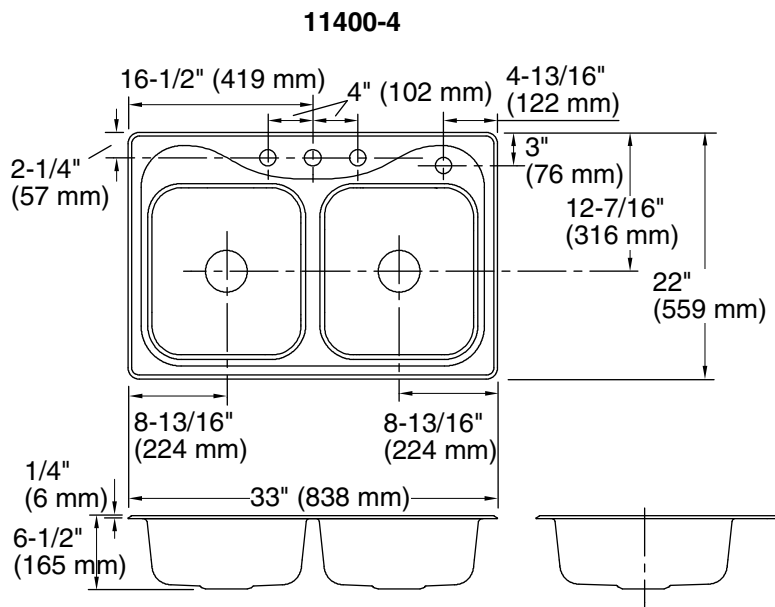
Specified Model

Model	Description	Faucet Holes	Quantity	Bowl Depth	Colors/Finishes
11400-3	Top-mount kitchen sink	3	1	6-1/2" (165 mm)	<input type="checkbox"/> NA
11400-4	Top-mount kitchen sink (shown)	4	1	6-1/2" (165 mm)	<input type="checkbox"/> NA
F11400-3	Top-mount kitchen sink	3	40	6-1/2" (165 mm)	<input type="checkbox"/> NA
F11400-4	Top-mount kitchen sink	4	40	6-1/2" (165 mm)	<input type="checkbox"/> NA

SOUTHAVEN®

Technical Information

Fixture*: Sink	
Bowl area	14" (356 mm) x 15-1/8" (384 mm)
Water depth	6-1/2" (165 mm)
Drain holes	Ø 3-5/8" (92 mm)
Faucet holes	Ø 1-7/16" (37 mm)
Cutout size	32-1/2" (826 mm) x 21-1/2" (546 mm) with 1/2" (13 mm) radius corners
* Approximate measurements for comparison only.	
Cut-out template	1032929-7 (available at sterlingplumbing.com)



Product Diagram