

STERLING®

A KOHLER COMPANY

Features

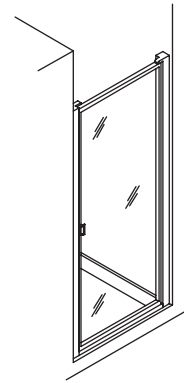
- Installs left- or right-handed
- No top track allows easy access into the shower
- Tempered glass ensures maximum safety and durability
- Aluminum components extruded from alloy 6063-T5
- Stainless steel hardware prevents rusting or corrosion
- Anodized aluminum framed glass door
- Adjustable wall jamb allows for out-of-plumb adjustability

Codes/Standards Applicable

Specified model meets or exceeds the following:

- ANSI Z97.1 (tempered glass)
- 16 CFR Part 1201

STANDARD PIVOT SHOWER DOORS 950C Series

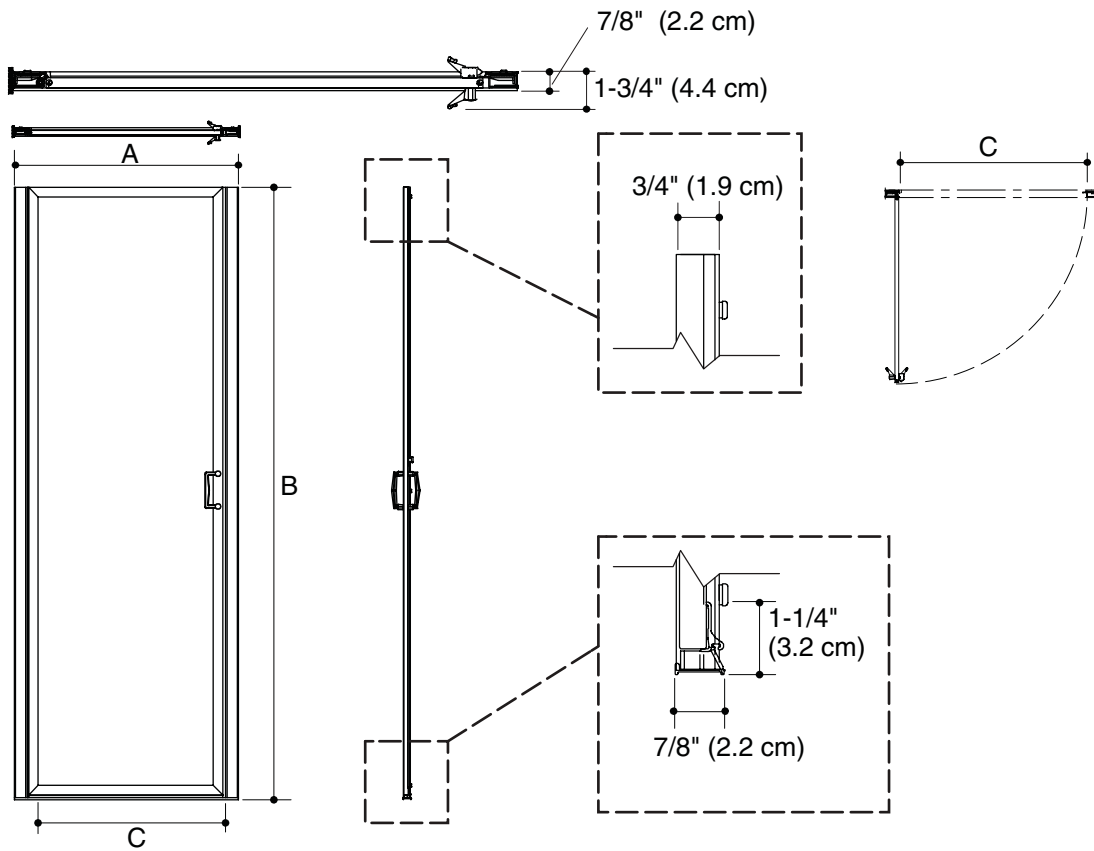


Colors/Finishes

- Refer to Price Book for current frame finish and glass options

Specified Model

Model	A (Max/Min Width)*	B (Height)*	C (Walk Through Max)*
950C-24**	25" (63.5 cm) / 23-1/2" (59.7 cm)	64" (162.6 cm)	21-3/16" (53.8 cm)
950C-28**	28-1/2" (72.4 cm) / 27" (68.6 cm)	64" (162.6 cm)	24-11/16" (62.7 cm)
950C-30**	30-1/2" (77.5 cm) / 29" (73.7 cm)	64" (162.6 cm)	26-11/16" (67.8 cm)
950C-32**	32-1/2" (82.6 cm) / 31" (78.7 cm)	64" (162.6 cm)	28-11/16" (72.9 cm)
950C-36**	36" (91.4 cm) / 34-1/2" (87.6 cm)	64" (162.6 cm)	32-3/16" (81.8 cm)
* Note: Consult the diagram on the next page for the location of the measurements.			
** Note: Add appropriate frame color/finish code to the end of the unit model # when ordering.			



Product Diagram