



**Features**

- Modular design allows it to be moved around corners and through doorways with ease.
- Durable high gloss finish.
- Convenient shelves provide generous storage space.
- Geometric back wall design adds visual interest.
- Wall surround includes backer boards for future grab bar installation.
- 48" (1219 mm) x 36" (914 mm) x 75-3/4" (1926 mm) complete unit finished dimensions.

**Material**

- Compression molded from our exclusive Vikrell® material.

**Installation**

- Four-piece modular design with pivot "snap together" installation.
- Caulk-free installation.

**Components**

Product includes:

- 72245106 36" Shower End Wall Set with Backer Boards
- 72261100 48" Shower Base
- 72262106 48" Shower Back Wall with Backer Boards



**Codes/Standards**

- CSA B45.5/IAPMO Z124
- ASTM E162
- ASTM E662
- Greenguard UL 2818 - Gold
- HUD, UM Bulletin 73



**STERLING® Warranty - Fixtures Made of Solid Vikrell Material**

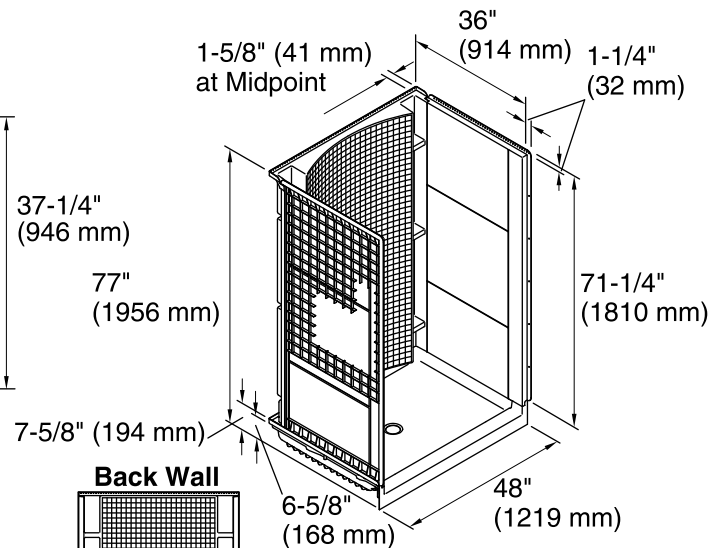
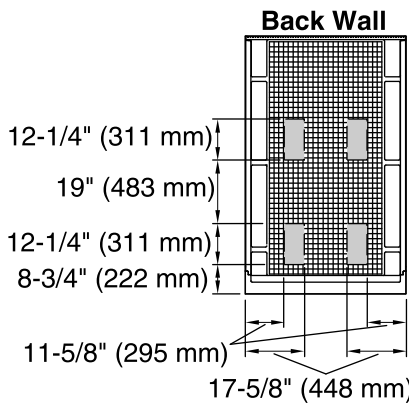
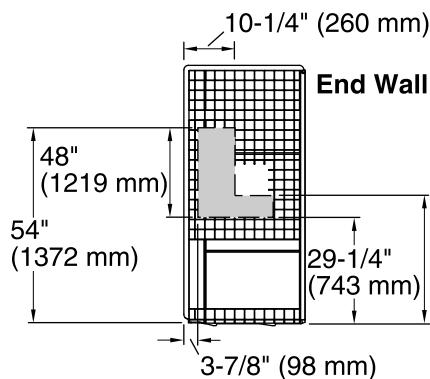
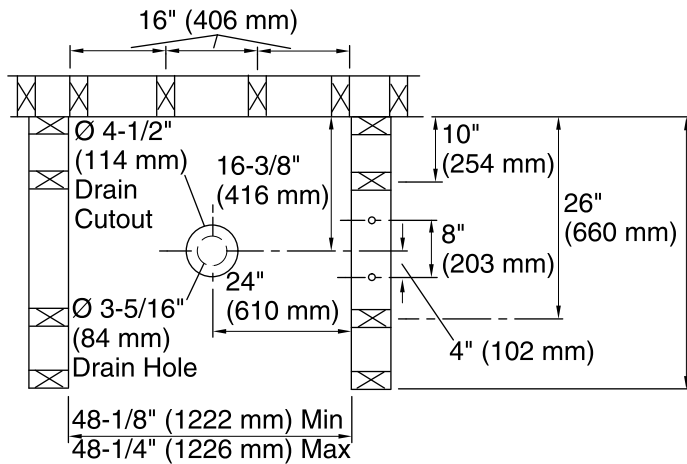
See website for detailed warranty information.


**Available Color/Finishes**

*Color tiles intended for reference only.*

**Color Code Description**

-  0 White
-  96 Biscuit



**Note:** Right end wall is the same as left end wall, only mirrored.  
 Backer board locations

#### Technical Information

All product dimensions are nominal.  
 Installation: 3-Wall Alcove  
 Drain location: Center  
 Door height required: 72" (1829 mm)  
 Door width required: 44-5/8" (1133 mm)

#### Notes

Install this product according to the installation guide.  
 Double studding is recommended for pivot shower door installations.  
 Studs should be positioned roughly as shown.  
 Attach grab bars at the specified backer board locations only.  
 Receptor cannot be installed without the wall surround.