



# Ensemble™

## 60" x 30" Shower Receptor

### 72171110



#### Features

- Perfect size for replacing an existing bath. Easy to install. Drain is located in the same position as existing bath.
- Durable high-gloss finish.
- 60" (1524 mm) x 30" (762 mm) x 4" (102 mm) unit finished dimensions.

#### Material

- Compression molded from our exclusive Vikrell® material.

#### Installation

- Suitable for tile down application.



#### Codes/Standards

CSA B45.5/IAPMO Z124  
ASTM E162  
ASTM E162



#### STERLING® Warranty - Fixtures Made of Solid Vikrell Material

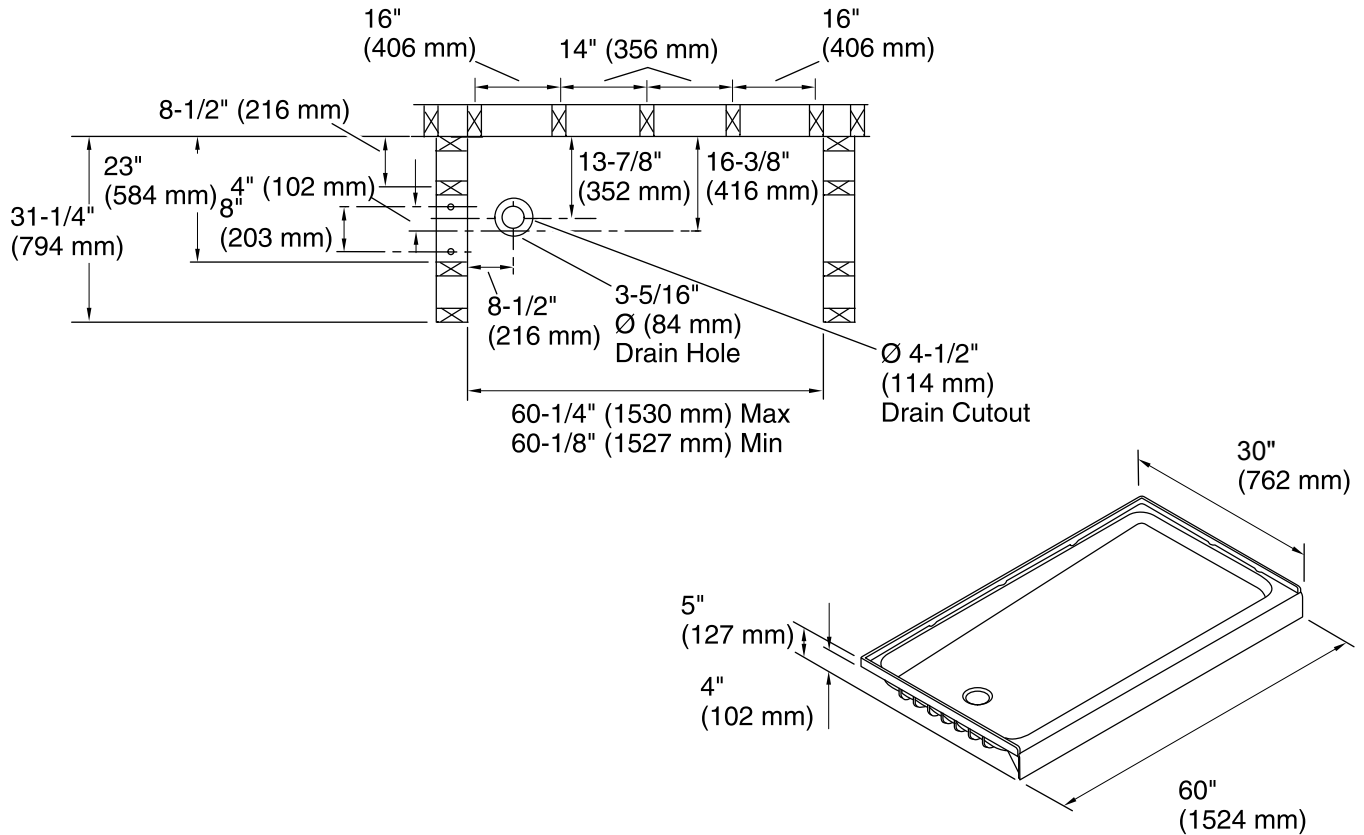
See website for detailed warranty information.

#### Available Color/Finishes

*Color tiles intended for reference only.*

Color	Code	Description
-------	------	-------------

	0	White
	96	Biscuit



**Technical Information**

All product dimensions are nominal.  
 Installation: 3-Wall Alcove  
 Drain location: Left  
 Weight: 38 lbs (17.2 kg)

**Notes**

Install this product according to the installation guide.  
 Double studding is recommended for pivot shower door installations.  
 Studs should be positioned as shown.