



Lawson™

36" (914 mm) Drop-In Bath

71271100

Features

- Durable high-gloss finish.
- 60" (1524 mm) x 36" (914 mm) x 20-5/16" (516 mm) finished dimensions

Material

- Compression molded from our exclusive solid Vikrell® material.



Codes/Standards

CSA B45.5/IAPMO Z124
ASTM E162
ASTM E662
Greenguard UL 2818 - Gold
HUD, UM Bulletin 73



STERLING® Warranty - Fixtures Made of Solid Vikrell Material

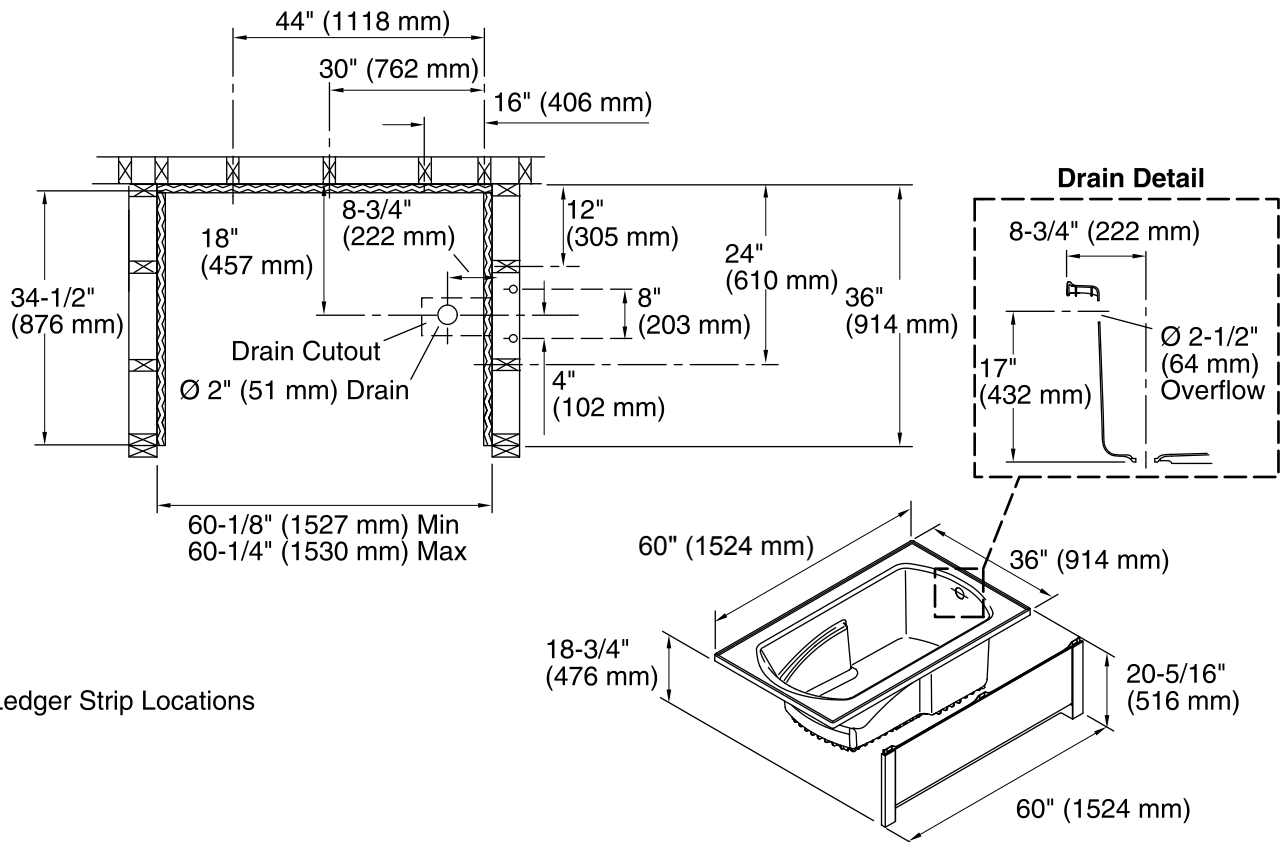
See website for detailed warranty information.

Available Color/Finishes

Color tiles intended for reference only.

Color	Code	Description
-------	------	-------------

- | | | |
|--|----|---------|
|  | 0 | White |
|  | 96 | Biscuit |



Technical Information

All product dimensions are nominal.

Installation:	Drop-in
Drain location:	End
Basin area, bottom:	44" x 25-1/2" (1118 mm x 648 mm)
Basin area, top:	51" x 26-3/4" (1295 mm x 679 mm)
Water depth:	15-1/4" (387 mm)
Water capacity:	59 gal (223.3 L)
Door width required:	60" (1524 mm)

Notes

Measure your actual product for roughing-in details.

Install this product according to the installation guide.

Studs should be positioned roughly as shown.

Double studding is recommended for pivot shower door installations.