



Lawson™

42" (1067 mm) Drop-In Bath

71281100

Features

- Durable high-gloss finish.
- 60" (1524 mm) x 42" (1067 mm) x 20-5/16" (516 mm) finished dimensions

Material

- Compression molded from our exclusive solid Vikrell® material.



Codes/Standards

CSA B45.5/IAPMO Z124
ASTM E162
ASTM E662
Greenguard UL 2818 - Gold
HUD, UM Bulletin 73



STERLING® Warranty - Fixtures Made of Solid Vikrell Material

See website for detailed warranty information.

Available Color/Finishes

Color tiles intended for reference only.

Color	Code	Description
-------	------	-------------

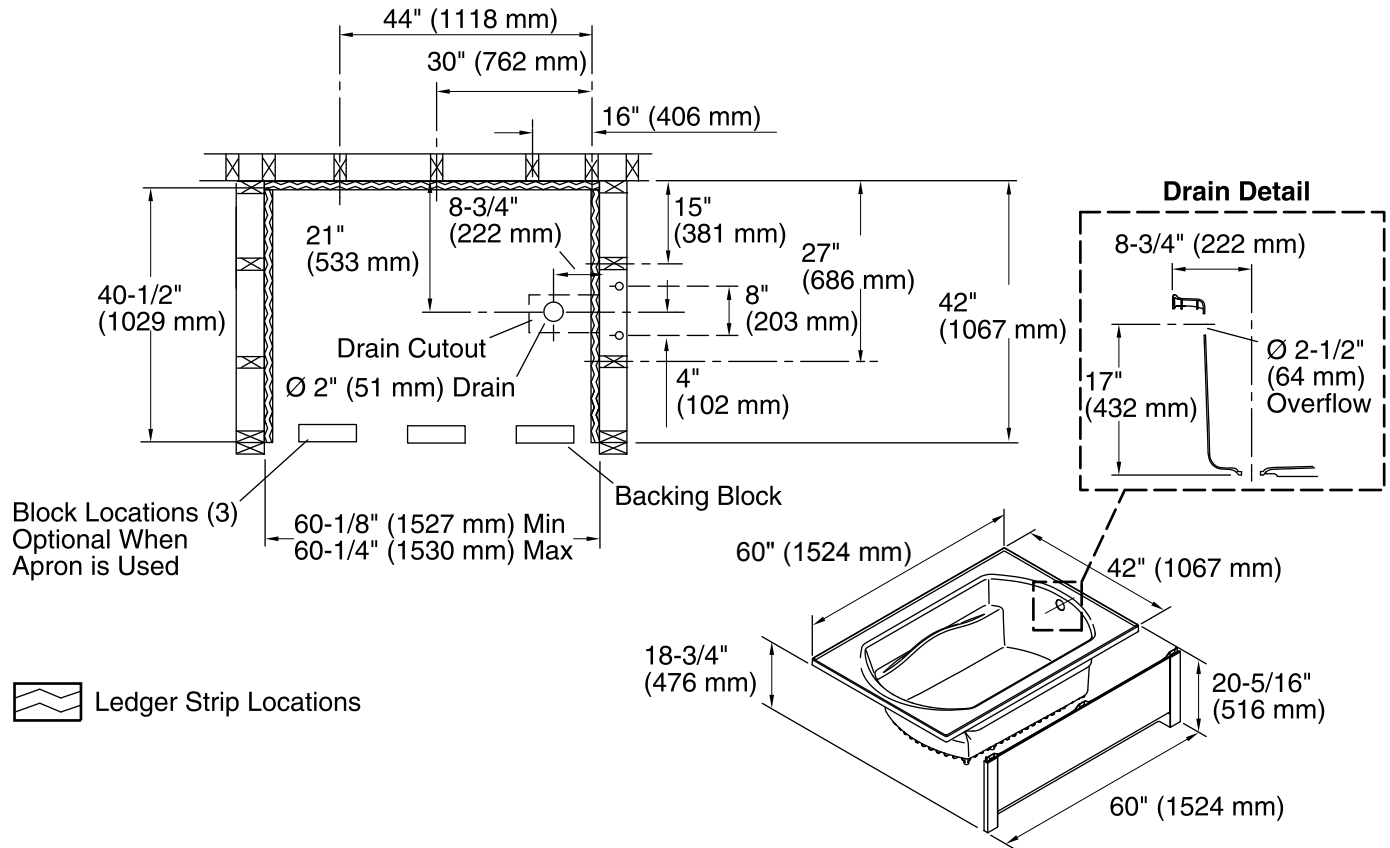
- | | | |
|--|----|---------|
|  | 0 | White |
|  | 96 | Biscuit |

USA/Canada: 1-800-STERLING (1-800-783-7546)

Kohler Co. reserves the right to make revisions without notice to product specifications.

For the most current Specification Sheet, go to www.sterlingplumbing.com.

10-17-2015 05:04



Technical Information

All product dimensions are nominal.

Installation:	Drop-in
Drain location:	End
Basin area, bottom:	44" x 25-3/4" (1118 mm x 654 mm)
Basin area, top:	51" x 32-3/4" (1295 mm x 832 mm)
Water depth:	15-1/4" (387 mm)
Water capacity:	68 gal (257.4 L)
Door width required:	60" (1524 mm)

Notes

Measure your actual product for roughing-in details.

Install this product according to the installation guide.

Studs should be positioned roughly as shown.

Double studding is recommended for pivot shower door installations.