



**Features**

- Modular design allows it to be moved around corners and through doorways with ease.
- Durable high gloss finish.
- Smooth walls with integrated shelves for generous storage space.
- 15" (381 mm) bath depth (floor to top of threshold).
- 60" (1524 mm) x 30" (762 mm) x 72" (1829 mm) complete unit finished dimensions.

**Material**

- Compression molded from our exclusive Vikrell® material.

**Installation**

- Four-piece modular design with pivot "snap together" installation.
- Caulk-less seam installation.

**Components**

Product includes:

- 71244100 Smooth Wall Set
- 71141110 60" x 30" Bath



**Codes/Standards**

- CSA B45.5/IAPMO Z124
- ASTM E162
- ASTM E662
- Greenguard UL 2818 - Gold
- HUD, UM Bulletin 73



**STERLING® Warranty - Fixtures Made of Solid Vikrell Material**

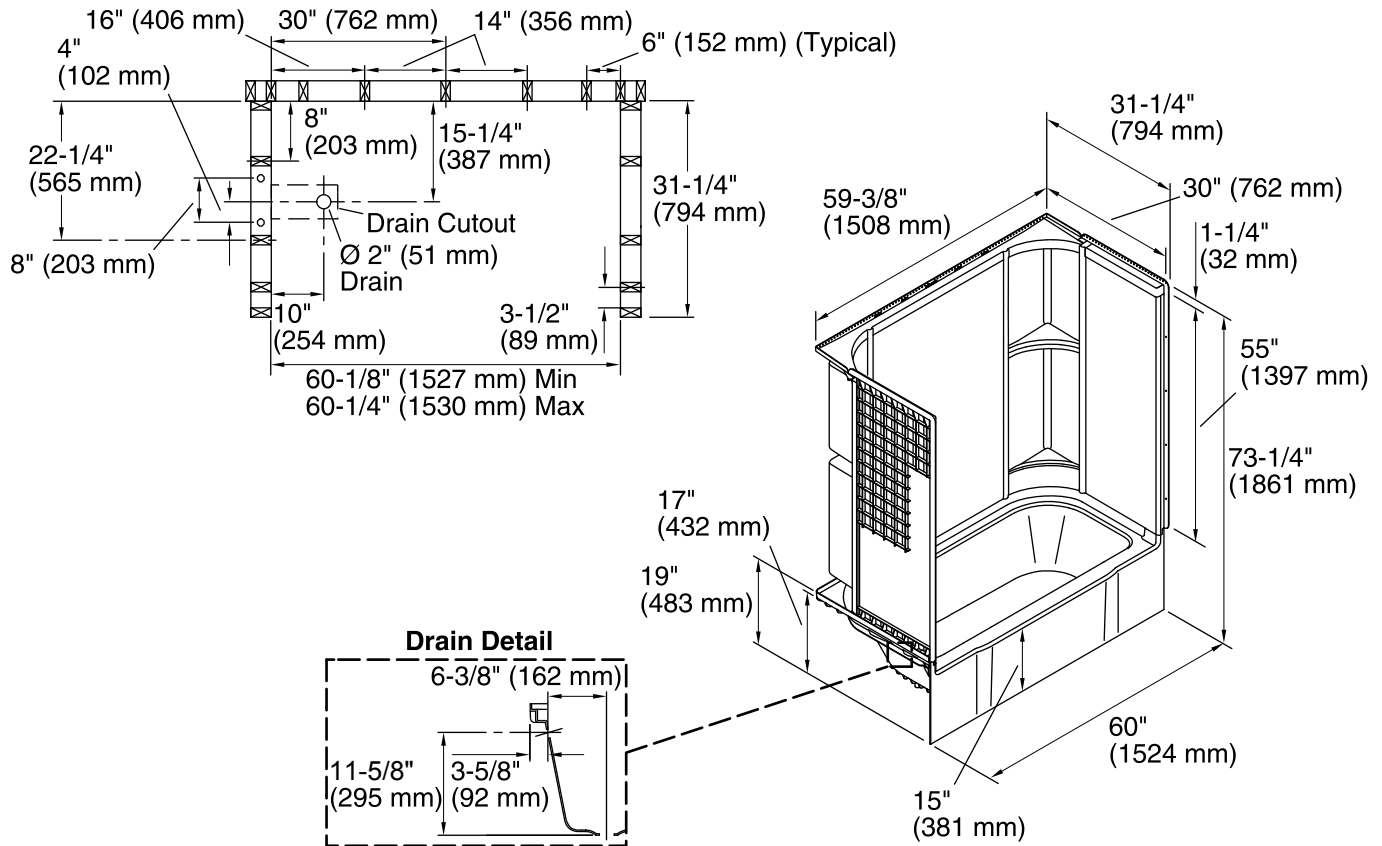
See website for detailed warranty information.

**Available Color/Finishes**

*Color tiles intended for reference only.*

**Color Code Description**

-  0 White
-  96 Biscuit



### Technical Information

All product dimensions are nominal.

Installation:	3-Wall Alcove
Drain location:	Left
Basin area, bottom:	46-1/4" x 20-1/2" (1175 mm x 521 mm)
Basin area, top:	52-1/4" x 22-1/2" (1327 mm x 572 mm)
Water depth:	11" (279 mm)
Water capacity:	34 gal (128.7 L)
Door height required:	56-1/2" (1435 mm)
Door width required:	56-3/4" (1441 mm)

### Notes

- Install this product according to the installation guide.
- Double studding is recommended for pivot shower door installations.
- Studs should be positioned roughly as shown.
- Measure your actual product for roughing-in details.
- Product is designed to be used with a single-handle mixer valve with an escutcheon cover not to exceed 7-3/4" (197 mm) in width.
- Bath cannot be installed without the wall surround.
- Width of back wall at top transitions from 60" (1524 mm) at the front to 59-3/8" (1508 mm) in the back corners. Furring strips approximately 1/4" (6 mm) thick should be used at the back corner studs if drywall is to be installed over the nailing flange.