

STERLING®

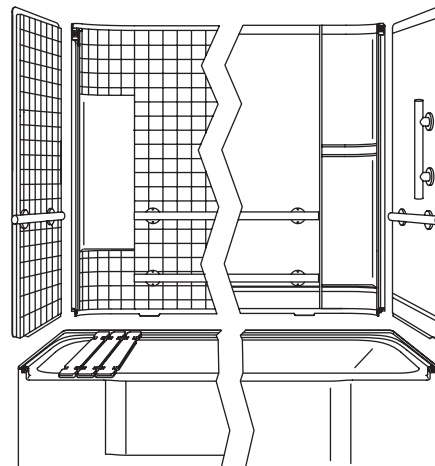
A KOHLER COMPANY

ACCORD®

Features

- Compression molded from our exclusive solid Vikrell® material
- Handicap seat mounts directly to back wall of bath surround and rests on apron
- Modular 4-piece design
- Pivot "snap together" installation
- Stainless steel grab bars 1-1/2" (3.8 cm) OD
- Wall surround available with smooth finish or glazed tile appearance
- Caulkless seam installation
- Not recommended as a bath only installation
- 15" (38.1 cm) bath depth (floor to top of threshold)
- 60-1/4" (153 cm) x 31-1/4" (79.4 cm) x 73-1/4" (186.1 cm) complete unit rough-in dimensions include flanges
- 60" (152.4 cm) x 30" (76.2 cm) x 72" (182.9 cm) complete unit finished dimensions

**60" (152.4 cm) ADA COMPLIANT
BATH AND WALL SURROUND
71140115**
ALSO 71140125, 71240115, 71240125



Codes/Standards Applicable

Specified model meets or exceeds the following:

- ADA
- ANSI Z124.1.2
- ASTM E162
- ASTM E662
- ICC/ANSI A117.1
- CSA B45

Colors/Finishes

- 0: White
- Other: Refer to Price Book for additional colors/finishes

Specified Model

Model	ADA Compliant Complete Unit Description	Colors/Finishes	
71140115	60" (152.4 cm) ADA compliant bath and wall surround, tile wall, left drain	<input type="checkbox"/> 0	<input type="checkbox"/> Other _____
71140125	60" (152.4 cm) ADA compliant bath and wall surround, tile wall, right drain	<input type="checkbox"/> 0	<input type="checkbox"/> Other _____
71240115	60" (152.4 cm) ADA compliant bath and wall surround, smooth wall, left drain	<input type="checkbox"/> 0	<input type="checkbox"/> Other _____
71240125	60" (152.4 cm) ADA compliant bath and wall surround, smooth wall, right drain	<input type="checkbox"/> 0	<input type="checkbox"/> Other _____

Technical Information

Fixture*:	
Basin area:	
Bathing well	46-1/4" (117.5 cm) x 20-1/2" (52.1 cm)
Top area	52-1/4" (132.7 cm) x 22-1/2" (57.2 cm)
To overflow:	
Water depth	11" (27.9 cm)
Capacity	34 gal (128.7 L)
* Approximate measurements for comparison only.	

Model	door maximum width	door maximum height
71140115	56-3/4" (144.1 cm)	56-1/2" (143.5 cm)
71140125		
71240115		
71240125		

Installation Notes

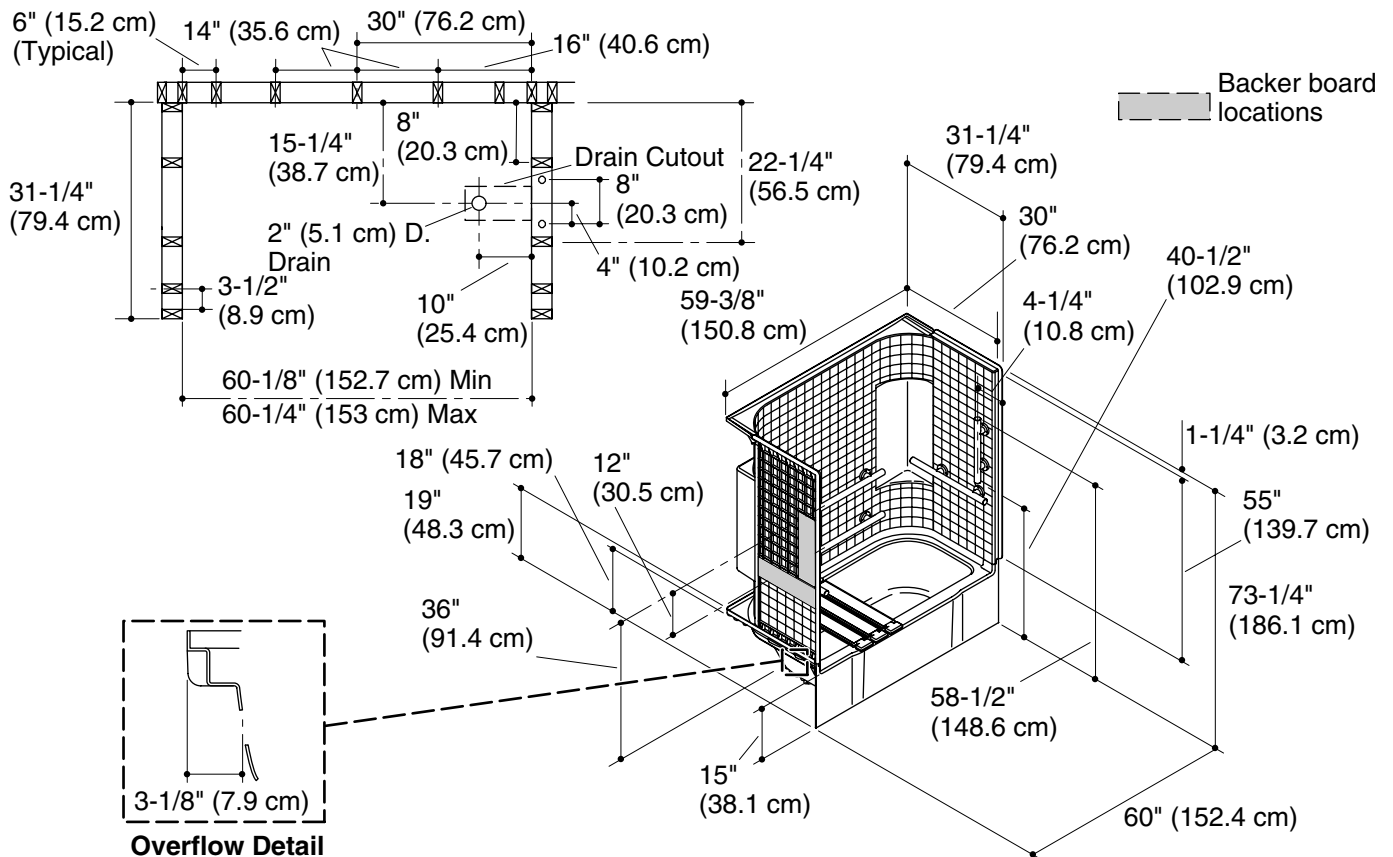
Install this product according to the installation guide.

To be ADA compliant, install according to the requirements of the Americans with Disabilities Act (ADA). Use only ADA compliant components.

Studs should be positioned roughly as shown.

Bath cannot be installed without the wall surround.

The width of the module gets 5/8" (1.6 cm) narrower at the back. Furring strips (approximately 1/4" (6 mm)) should be used at the back corner studs if drywall will overlap the nailing flange.



Product Diagram