

# STERLING®

A KOHLER COMPANY

ACCORD™

## Features

- Compression molded from our exclusive solid Vikrell® material
- Stainless steel grab bars 1-1/2" (3.8 cm) OD
- Modular 4-piece design
- Pivot "snap together" installation
- Caulkless installation
- Handicap seat engages with features of bath and rests on apron
- 18" (45.7 cm) bath depth (floor to top of threshold)
- 60" (152.4 cm) x 33-1/4" (84.5 cm) x 75-1/2" (191.8 cm) complete unit rough-in dimensions include flanges
- 60" (152.4 cm) x 32" (81.3 cm) x 74-1/4" (188.6 cm) complete unit finished dimensions

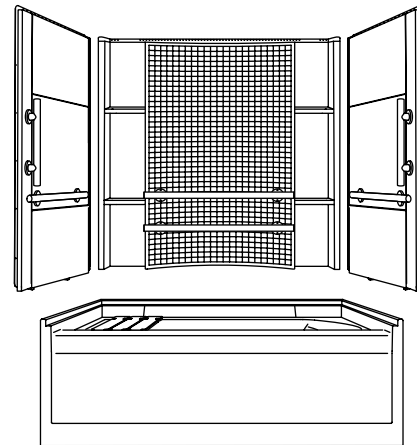
60" (152.4 cm) ADA COMPLIANT BATH AND WALL SURROUND

**71150115**  
ALSO 71150125

ADA



MATERIAL STRENGTH.  
PROVEN PERFORMANCE.™



## Codes/Standards Applicable

Specified model meets or exceeds the following:

- ADA
- ANSI Z124.1.2
- ASTM E162
- ASTM E662
- ICC/ANSI A117.1

## Colors/Finishes

- 0: White
- Other: Refer to Price Book for additional colors/finishes

## Specified Model

Model	ADA Compliant Complete Unit Description	Colors/Finishes	
71150115	60" (154.4 cm) ADA compliant bath and wall surround with left drain	<input type="checkbox"/> 0	<input type="checkbox"/> Other_____
71150125	60" (154.4 cm) ADA compliant bath and wall surround with right drain	<input type="checkbox"/> 0	<input type="checkbox"/> Other_____

# ACCORD™

## Technical Information

Fixture*:	
Bathing well:	
Basin area	21-1/2" (54.6 cm) x 46-1/8" (117.2 cm)
Top area	23" (58.4 cm) x 51" (129.5 cm)
To overflow:	
Water depth	13-1/8" (33.3 cm)
Capacity	56 gal (211.8 L)
* Approximate measurements for comparison only.	

Model	door maximum width	door maximum height
71150115	56-3/4" (144.1 cm)	55-7/8" (141.9 cm)
71150125		

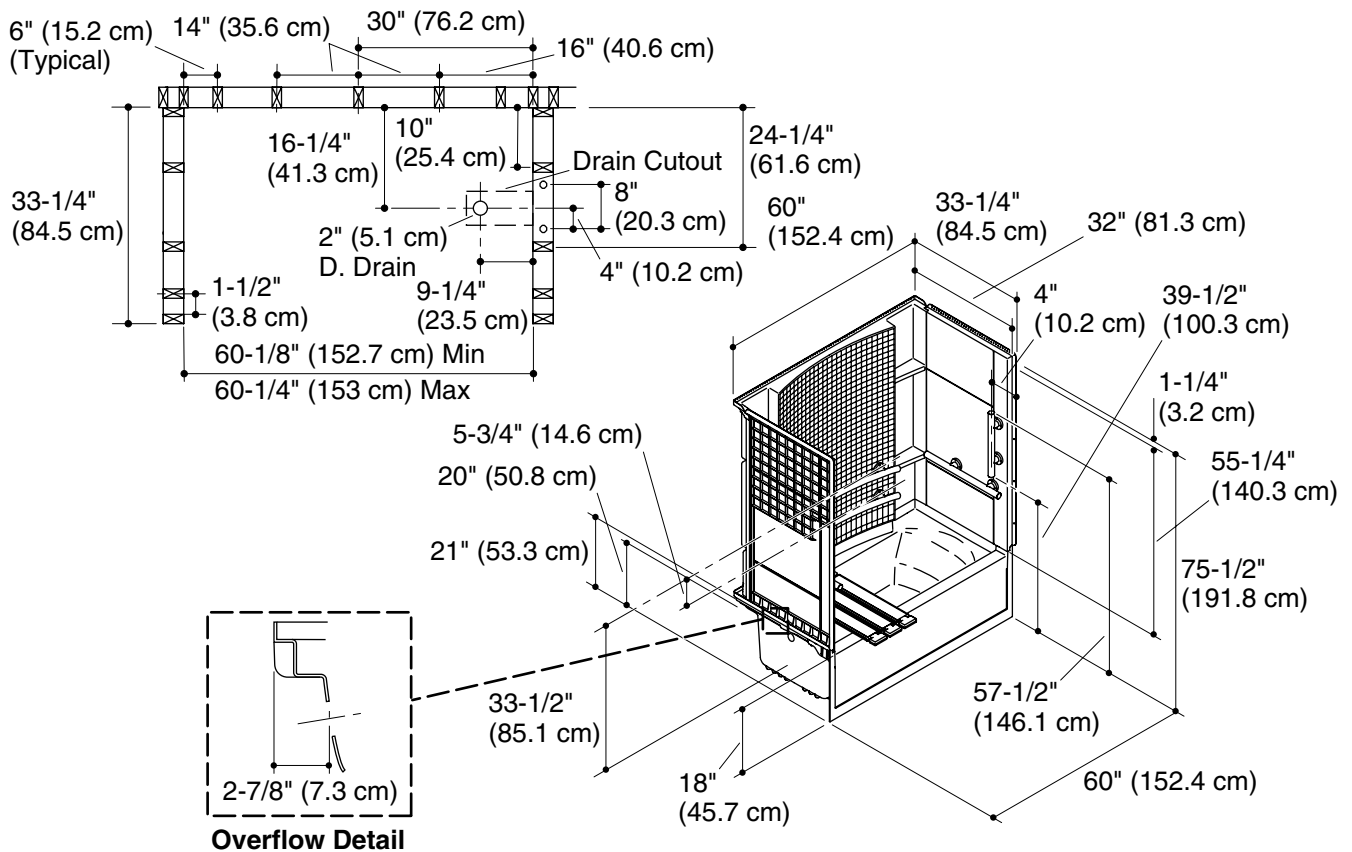
## Installation Notes

Install this product according to the installation guide.

To be ADA compliant, install according to the requirements of the Americans with Disabilities Act (ADA). Use only ADA compliant components.

Studs should be positioned roughly as shown for wall surround installation.

Bath cannot be installed without the wall surround.



**Product Diagram**