



Accord® Tile

60" x 30" Vikrell® bath/shower with Aging in Place backerboards, left above-floor drain
71140118



Features

- 17-1/4 (438 mm) apron
- Pivot snap-together modular design
- Smooth, high-gloss walls
- Molded-in shelves
- Aging in Place backerboards
- 3" (76 mm) drain-to-floor clearance for above-floor drain installation

Material

- Made from solid Vikrell® material for strength, durability, and lasting beauty

Installation

- Alcove
- Left drain
- Caulk-free installation

Recommended Products/Accessories

- 71147103 30" tile bath/shower w/ADA-adaptable grab bar kit
- 71147104 30" bath seat kit
- K-23726 Drain treatment
- K-23733 Vikrell® cleaner

Included Components

- 71144106 60" x 30" Vikrell® bath/shower wall set with Aging in Place backerboards
- 71141118 60" x 30" Vikrell® bath, left above-floor drain



Codes/Standards

- CSA B45.5/IAPMO Z124
- ASTM E162
- ASTM E662
- HUD, UM Bulletin 73
- IAPMO Certification

STERLING® Vikrell® or Acrylic Baths and Shower Bases Ten-Year Limited Warranty

See website for detailed warranty information.

Available Colors/Finishes

Color tiles intended for reference only.

Color Code Description

	0	White
---	---	-------

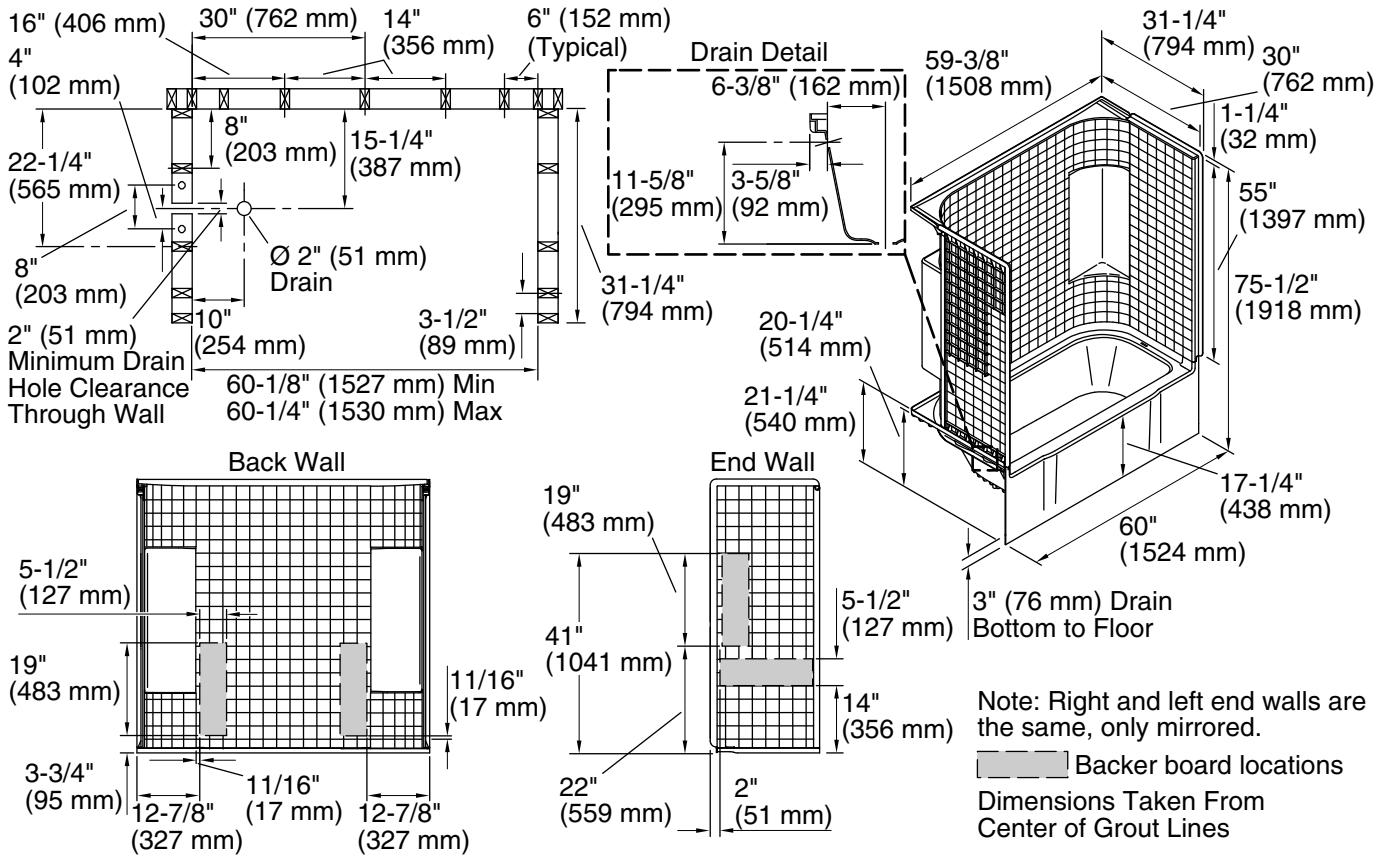
1-800-STERLING (1-800-783-7546)

Kohler Co. reserves the right to make revisions without notice to product specifications.

For the most current Specification Sheet, go to www.sterlingplumbing.com.

7-19-2024 23:30 - US/CA

Accord® Tile
60" x 30" Vikrell® bath/shower with Aging in Place
backerboards, left above-floor drain
71140118



Technical Information

All product dimensions are nominal.

Drain location:	Left
Basin area, bottom:	46-1/4" x 20-1/2" (1175 mm x 521 mm)
Basin area, top:	52-1/4" x 22-1/2" (1327 mm x 572 mm)
Water depth:	11" (279 mm)
Water capacity:	34 gal (128.7 L)
Minimum flat for door:	2-3/4" (70 mm)
Maximum door height:	56-1/2" (1435 mm)
Maximum door width:	56-3/4" (1441 mm)

Notes

Install this product according to the installation instructions.

Product is designed to be used with a single-hole mixer valve with an escutcheon cover not to exceed 7-3/4" (197 mm) in width.

Studs should be positioned roughly as shown. Bath cannot be installed without the wall surround.

Attach grab bars at the specified backer board locations only.

Width shifts from 60" (1524 mm) at front to 59-3/8" (1508 mm) at back. Use 1/4" (6 mm) furring strips at back for drywall over nailing-in flange installation.

ADA adaptable when grab bars and seat are installed per the specific requirements of these regulations.

For future ADA compliance, select a mixing valve location that will not interfere with a control wall grab bar.