

# STERLING®

A KOHLER COMPANY

## ENSEMBLE™

32" (81.3 cm) BATH  
**71121110**  
 ALSO 71121120



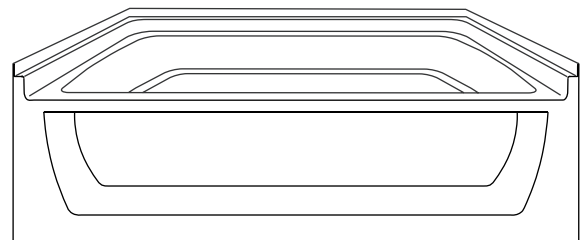
### Features

- Compression molded from our exclusive solid Vikrell® material
- Bath and integral apron eliminates installation step
- Durable high-gloss finish
- 10-year consumer/3-year commercial limited warranty
- 2" (5.1 cm) wainscot/tile ledge
- 18" (45.7 cm) bath depth (floor to top of threshold)
- 60-1/4" (153 cm) x 32-1/8" (81.6 cm) x 21" (53.3 cm) rough-in dimensions include nailing flange
- 60" (152.4 cm) x 32" (81.3 cm) x 20" (50.8 cm) finished dimensions

### Codes/Standards Applicable

Specified model meets or exceeds the following:

- ANSI Z124.1.2
- ASTM E162
- ASTM E662
- CSA B45.5



### Colors/Finishes

- 0: White
- Other: Refer to Price Book for additional colors/finishes

### Specified Model

Model	Description	Colors/Finishes	
71121110	32" (81.3 cm) bath, left drain	<input type="checkbox"/> 0	<input type="checkbox"/> Other_____
71121120	32" (81.3 cm) bath, right drain	<input type="checkbox"/> 0	<input type="checkbox"/> Other_____

Model	Access Panel Component Description	Colors/Finishes	
71121117	Bath only with access panel, left drain	<input type="checkbox"/> 0	<input type="checkbox"/> Other_____
71121127	Bath only with access panel, right drain	<input type="checkbox"/> 0	<input type="checkbox"/> Other_____

# ENSEMBLE™

## Technical Information

Fixture*:	
Basin area:	
Bathing well	42" (106.7 cm) x 20" (50.8 cm)
Top area	54" (137.2 cm) x 26" (66 cm)
To overflow:	
Water depth	13-3/4" (34.9 cm)
Capacity	55 gal (208.2 L)
* Approximate measurements for comparison only.	

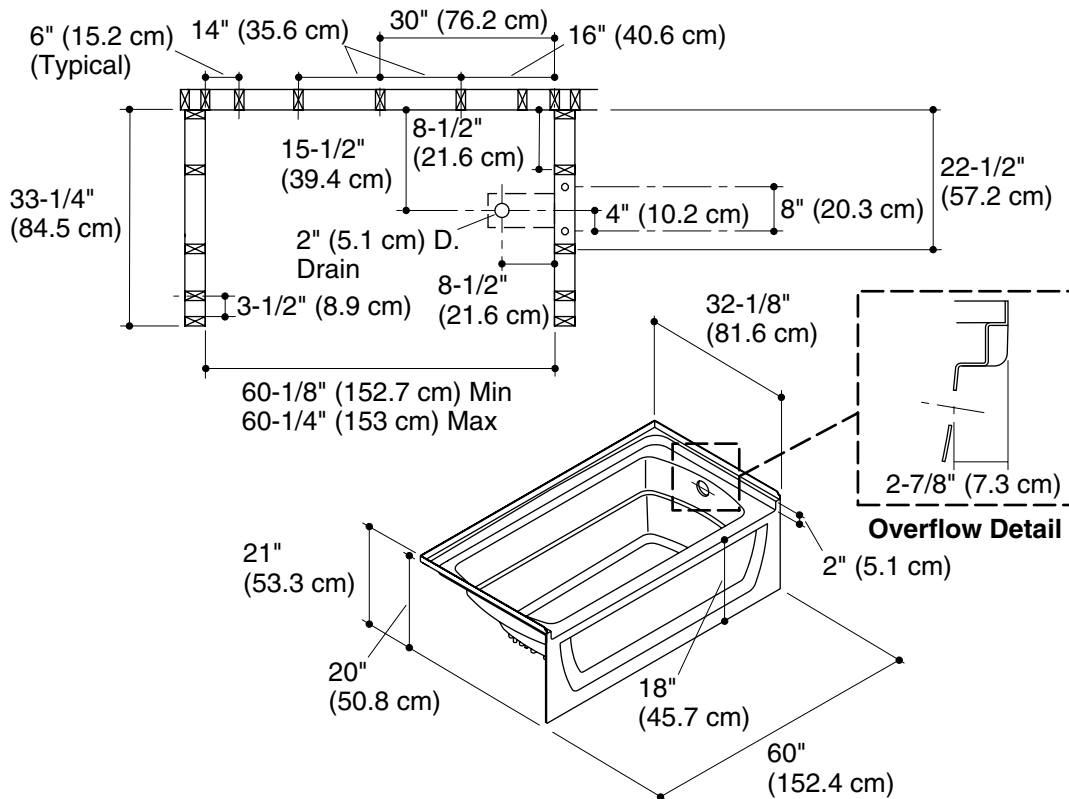
Model	door maximum width	door maximum height
71121110	57-11/16"	NA*
71121120	(146.5 cm)*	
* Varies with alternative walls.		

## Installation Notes

Install this product according to the installation guide.

Size the drain cutout to fit the drain assembly that will be used.

Studs should be positioned roughly as shown.



## Product Diagram