



Ensemble™

60" x 32" Tile Bath/Shower with Backer Boards 71120126



Features

- Modular design allows it to be moved around corners and through doorways with ease.
- Durable high gloss finish.
- Realistic tile wall surround with molded-in shelves for generous storage space.
- Wall surround includes backer boards for future grab bar installation.
- 2" (51 mm) wainscot/tile ledge.
- 18" (457mm) bath depth (floor to top of threshold).
- 60" (1524 mm) x 32" (813 mm) x 74" (1880 mm) complete unit finished dimensions.

Material

- Compression molded from our exclusive solid Vikrell® material.

Installation

- Tongue-and-groove four piece modular design allows for easy snap together installation.
- Some caulk required for proper installation.

Components

Product includes:

- 71124106 60" x 32" Wall Set with Backer Boards
- 71121120 32" (813 mm) Bath



Codes/Standards

- CSA B45.5/IAPMO Z124
- ASTM E162
- ASTM E662
- Greenguard UL 2818 - Gold



STERLING® Warranty - Fixtures Made of Solid Vikrell Material

See website for detailed warranty information.

Available Color/Finishes

Color tiles intended for reference only.

Color Code Description

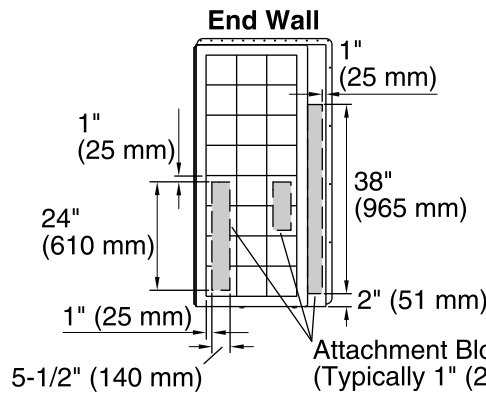
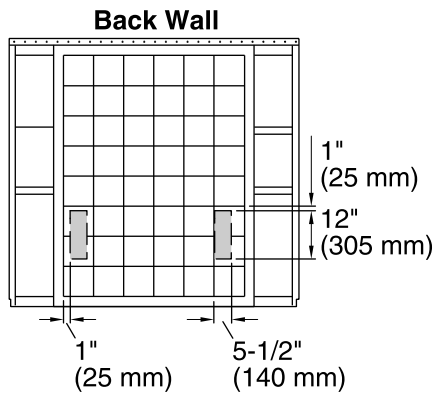
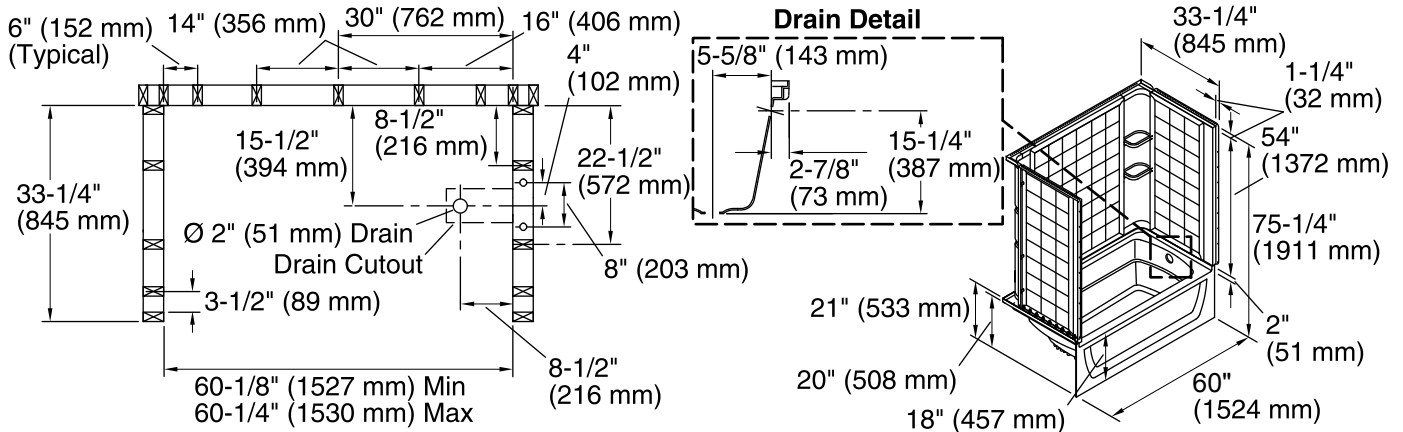
- | | | |
|--|----|---------|
|  | 0 | White |
|  | 96 | Biscuit |

USA/Canada: 1-800-STERLING (1-800-783-7546)

Kohler Co. reserves the right to make revisions without notice to product specifications.

For the most current Specification Sheet, go to www.sterlingplumbing.com.

8-11-2015 01:24



Note: Right and left end walls are the same, only mirrored.

■ Backer board locations
 Dimensions Taken From Center of Grout Lines

■ Attachment Block Locations
 (Typically 1" (25 mm) Inside Grout Lines)

Technical Information

All product dimensions are nominal.

Installation: 3-Wall Alcove

Drain location: Right

Basin area, bottom: 42" x 20" (1067 mm x 508 mm)

Basin area, top: 54" x 26" (1372 mm x 660 mm)

Water depth: 13-3/4" (349 mm)

Water capacity: 55 gal (208.2 L)

Door height required: 55-1/2" (1410 mm)

Door width required: 57-11/16" (1465 mm)

Notes

Measure your actual product for roughing-in details.

Install this product according to the installation guide.

Double studding is recommended for pivot shower door installations.

Studs should be positioned roughly as shown.

Attach grab bars at the specified backer board locations only.