



Ensemble™

60" x 42" Bath with Access Panel

71111117



Features

- Durable high gloss finish.
- Gentle sloping back, neck, and armrests.
- Integral apron with removable access panel.
- 3" (76 mm) wainscot/tile ledge.
- 16" (406 mm) bath depth (floor to top of threshold).
- 60" (1524 mm) x 42" (1067 mm) x 19" (483 mm) complete unit finished dimensions.

Material

- Compression molded from our exclusive solid Vikrell® material.



ADA CSA B651

Codes/Standards

CSA B45.5/IAPMO Z124
ASTM E162
ASTM E662
Greenguard UL 2818 - Gold
ADA
ICC/ANSI A117.1
CSA B651



STERLING® Warranty - Fixtures Made of Solid Vikrell Material

See website for detailed warranty information.

Available Color/Finishes

Color tiles intended for reference only.

Color Code Description

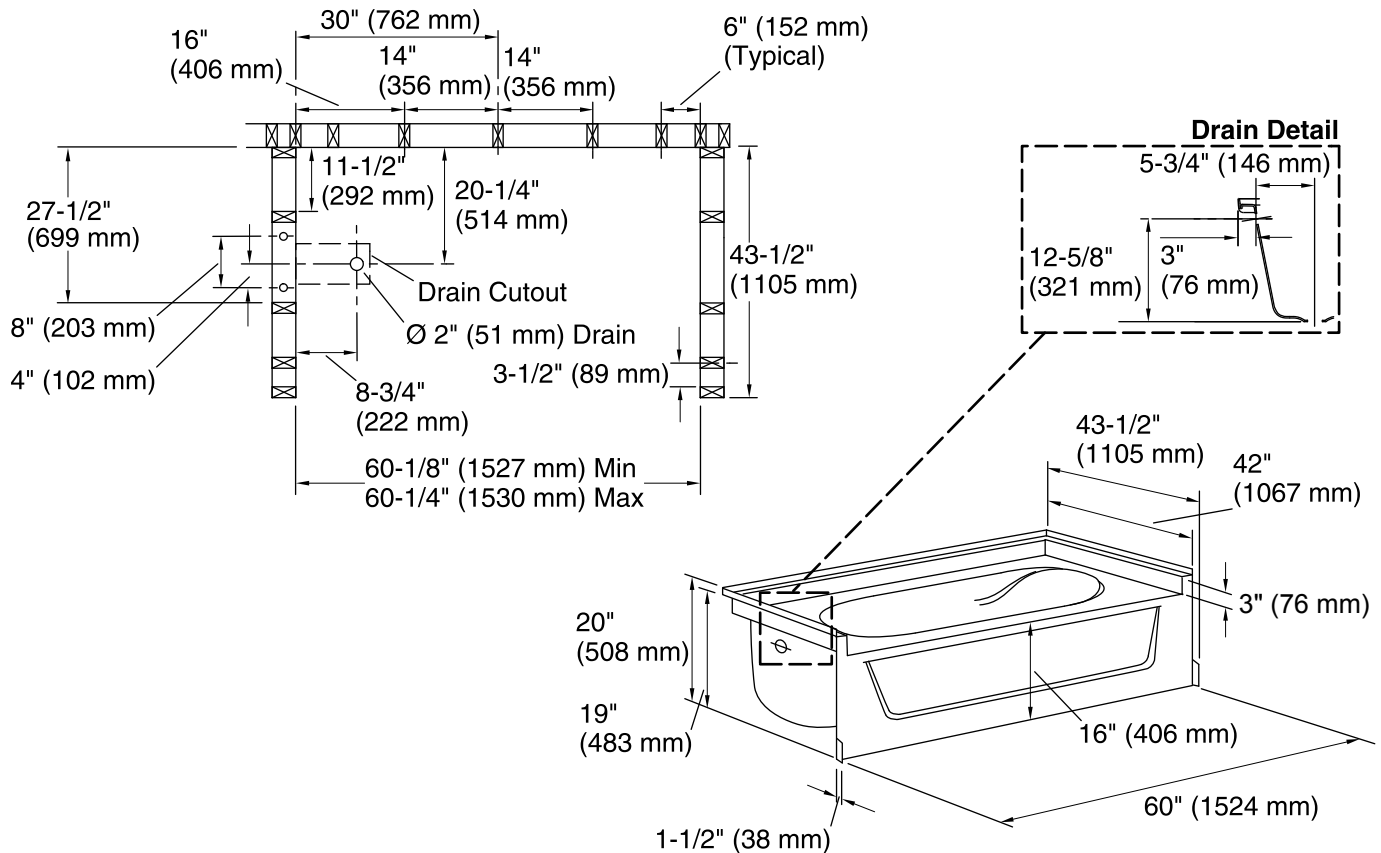
	0	White
	96	Biscuit

USA/Canada: 1-800-STERLING (1-800-783-7546)

Kohler Co. reserves the right to make revisions without notice to product specifications.

For the most current Specification Sheet, go to www.sterlingplumbing.com.

11-1-2015 01:44



Technical Information

All product dimensions are nominal.

Installation: 3-Wall Alcove

Drain location: Left

Basin area, bottom: 40" x 27" (1016 mm x 686 mm)

Basin area, top: 52" x 35" (1321 mm x 889 mm)

Water depth: 11" (279 mm)

Water capacity: 55 gal (208.2 L)

Door width required: 58-1/2" (1486 mm)

Notes

Measure your actual product for roughing-in details.

Install this product according to the installation guide.

Studs should be positioned roughly as shown.

Double studding is recommended for pivot shower door installations.

ADA, CSA B651 compliant when installed to the specific requirements of these regulations.