



## Ensemble™

60" x 42" Bath  
71111110



### Features

- Durable high gloss finish.
- Gentle sloping back, neck, and armrests.
- Integral apron eliminates installation step.
- 3" (76 mm) wainscot/tile ledge.
- 16" (406 mm) bath depth (floor to top of threshold).
- 60" (1524 mm) x 42" (1066 mm) x 19" (483 mm) complete unit finished dimensions.

### Material

- Compression molded from our exclusive solid Vikrell® material.



### ADA

#### Codes/Standards

CSA B45.5/IAPMO Z124  
ASTM E162  
ASTM E662  
Greenguard UL 2818 - Gold  
ADA  
ICC/ANSI A117.1



#### STERLING® Warranty - Fixtures Made of Solid Vikrell Material

See website for detailed warranty information.

#### Available Color/Finishes

*Color tiles intended for reference only.*

Color	Code	Description
-------	------	-------------

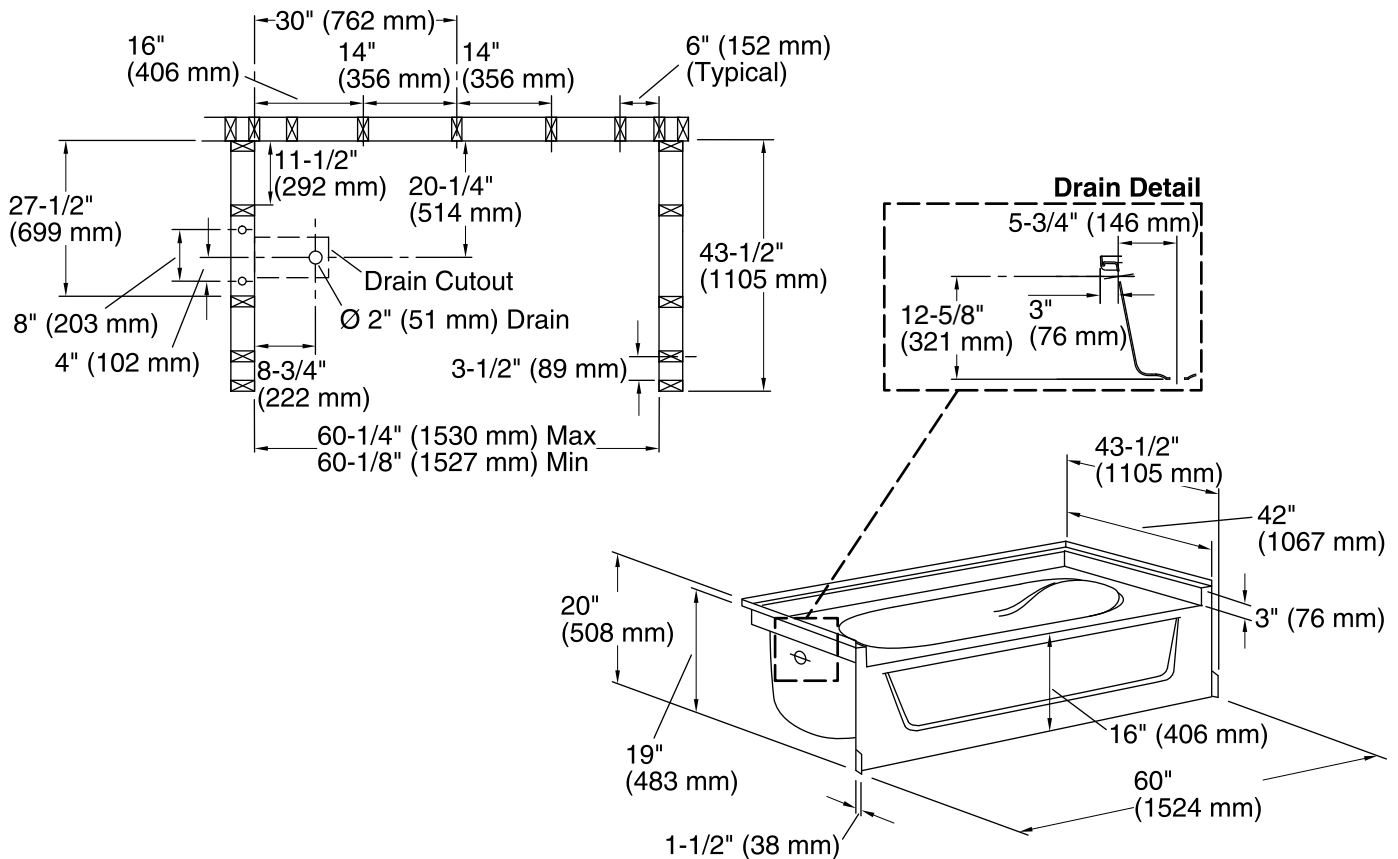
- |  |    |         |
|--|----|---------|
|  | 0  | White   |
|  | 96 | Biscuit |

USA/Canada: 1-800-STERLING (1-800-783-7546)

Kohler Co. reserves the right to make revisions without notice to product specifications.

For the most current Specification Sheet, go to [www.sterlingplumbing.com](http://www.sterlingplumbing.com).

11-1-2015 01:45



### Technical Information

All product dimensions are nominal.

Installation: 3-Wall Alcove

Drain location: Left

Basin area, bottom: 40" x 27" (1016 mm x 686 mm)

Basin area, top: 52" x 35" (1321 mm x 889 mm)

Water depth: 11" (279 mm)

Water capacity: 55 gal (208.2 L)

Door width required: 58-1/2" (1486 mm)

### Notes

Measure your actual product for roughing-in details.

Install this product according to the installation guide.

Studs should be positioned roughly as shown.

Double studding is recommended for pivot shower door installations.

ADA compliant when installed to the specific requirements of these regulations.