



**Features**

- Modular design allows it to be moved around corners and through doorways with ease.
- Durable high gloss finish.
- Gentle sloping back, neck, and armrests in bath.
- Integral apron eliminates installation step.
- Realistic tile wall surround features molded-in shelves for generous storage space.
- 3" (76 mm) wainscot/tile ledge.
- 16" (406 mm) bath depth (floor to top of threshold).
- 60" (1524 mm) x 42" (1067 mm) x 72" (1829 mm) complete unit finished dimensions.

**Material**

- Compression molded from our exclusive solid Vikrell® material.

**Installation**

- Tongue-and-groove four piece modular design allows for easy snap together installation.
- Some caulk required for proper installation.

**Components**

Product includes:

- 71114100 60" x 42" Bath/Shower Wall Set
- 71111120 60" x 42" Bath



**Codes/Standards**

- CSA B45.5/IAPMO Z124
- ASTM E162
- ASTM E662
- Greenguard UL 2818 - Gold
- HUD, UM Bulletin 73



**STERLING® Warranty - Fixtures Made of Solid Vikrell Material**

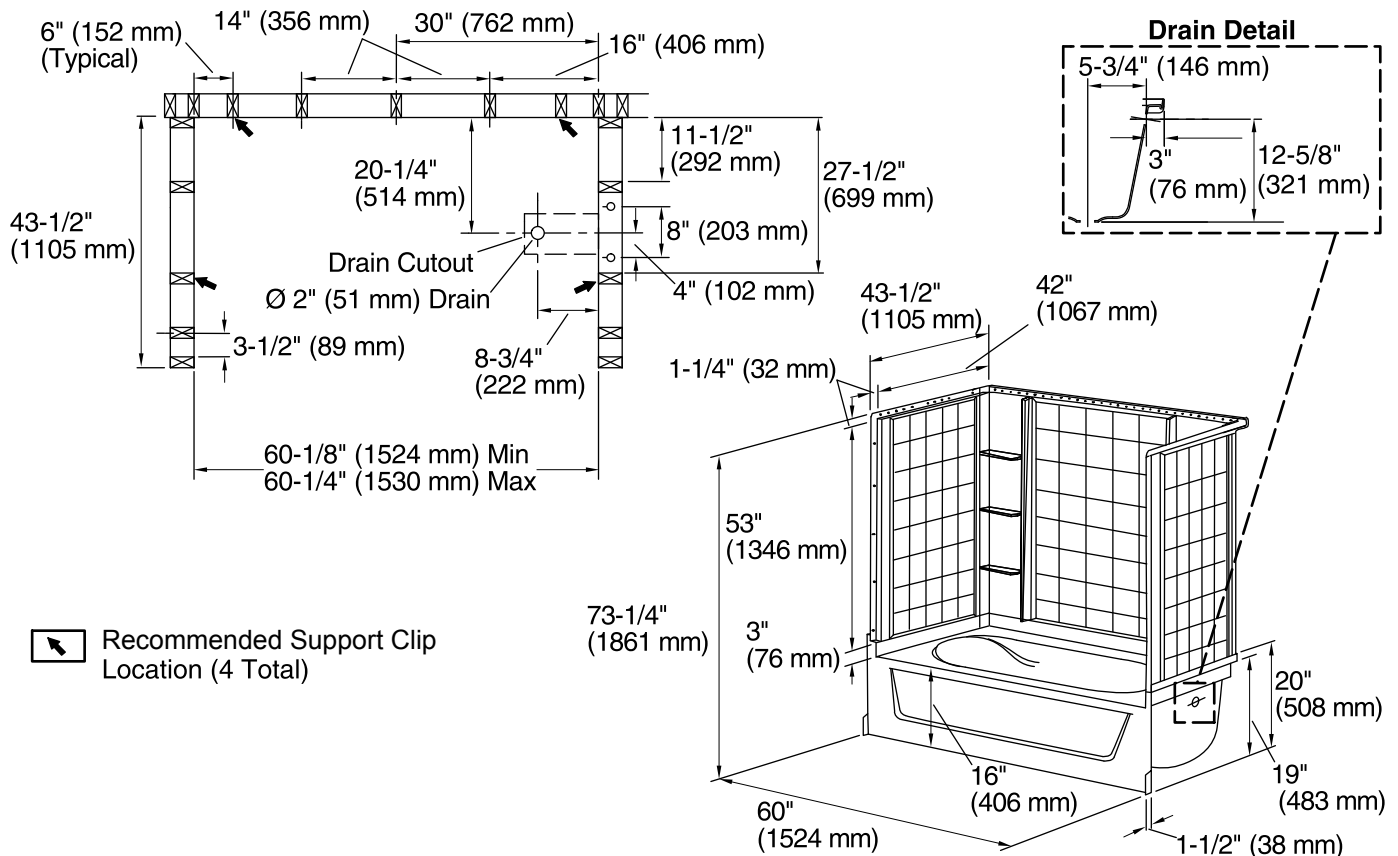
See website for detailed warranty information.

**Available Color/Finishes**

*Color tiles intended for reference only.*

**Color Code Description**

-  0 White
-  96 Biscuit



### Technical Information

All product dimensions are nominal.

Installation:	3-Wall Alcove
Drain location:	Right
Basin area, bottom:	42" x 27" (1067 mm x 686 mm)
Basin area, top:	52" x 35" (1321 mm x 889 mm)
Water depth:	11" (279 mm)
Water capacity:	55 gal (208.2 L)
Door height required:	55-3/4" (1416 mm)
Door width required:	58-1/2" (1486 mm)

### Notes

Measure your actual product for roughing-in details.

Install this product according to the installation guide.

Studs should be positioned roughly as shown.

Double studding is recommended for pivot shower door installations.